



KROWNLAB

EST. 2008

**GLASS
HARDWARE**



SHOWER ENCLOSURE SYSTEMS

Krownlab manufactures complete hardware solutions for a wide range of residential and commercial [glass shower enclosure](#) applications.

- Alcove and Corner applications.
- Single and Bypass configurations.
- Up to 200 lb. door weight capacity.
- Unmatched 12' maximum enclosure width.
- Perfectly smooth and silent door travel.
- Fast and accurate installation process.
- Patented design for strong project specs.
- Multiple premium finishes.
- ADA compliant pull force and access.
- 5/16" to 1/2" glass compatibility.
- 10-year commercial warranty.
- Made in the USA.

Doppelgänger residence in Portland, OR. Featuring [Rorik](#) Shower Door Hardware System in Brushed Stainless.



DESIGN FREEDOM

SCALE UP YOUR VISION

Krownlab's glass shower systems perform flawlessly and provide exceptional versatility. Create shower enclosures up to 12' in width and clear openings well over 36" for ADA compliance.



- Alcove and Corner applications.
- Single and Bypass configurations.
- Up to 200 lb. door weight capacity.
- Unmatched 12' maximum enclosure width.
- Fully concealed fasteners.
- Multiple premium finishes.
- 5/16" to 1/2" glass compatibility.
- Comprehensive product specifications.

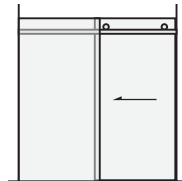
Smith Residence in Salt Lake City, UT. Featuring [Rorik](#) Bypass in Black Stainless.



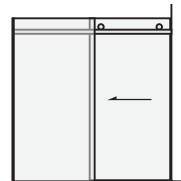
UNMATCHED FLEXIBILITY

CONFIGURATIONS FOR EVERY LAYOUT

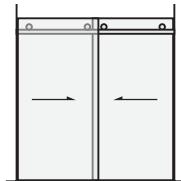
Krownlab's glass shower systems offer tremendous design flexibility to fit a wide range of shower plans for residential and commercial applications.



Alcove



Corner



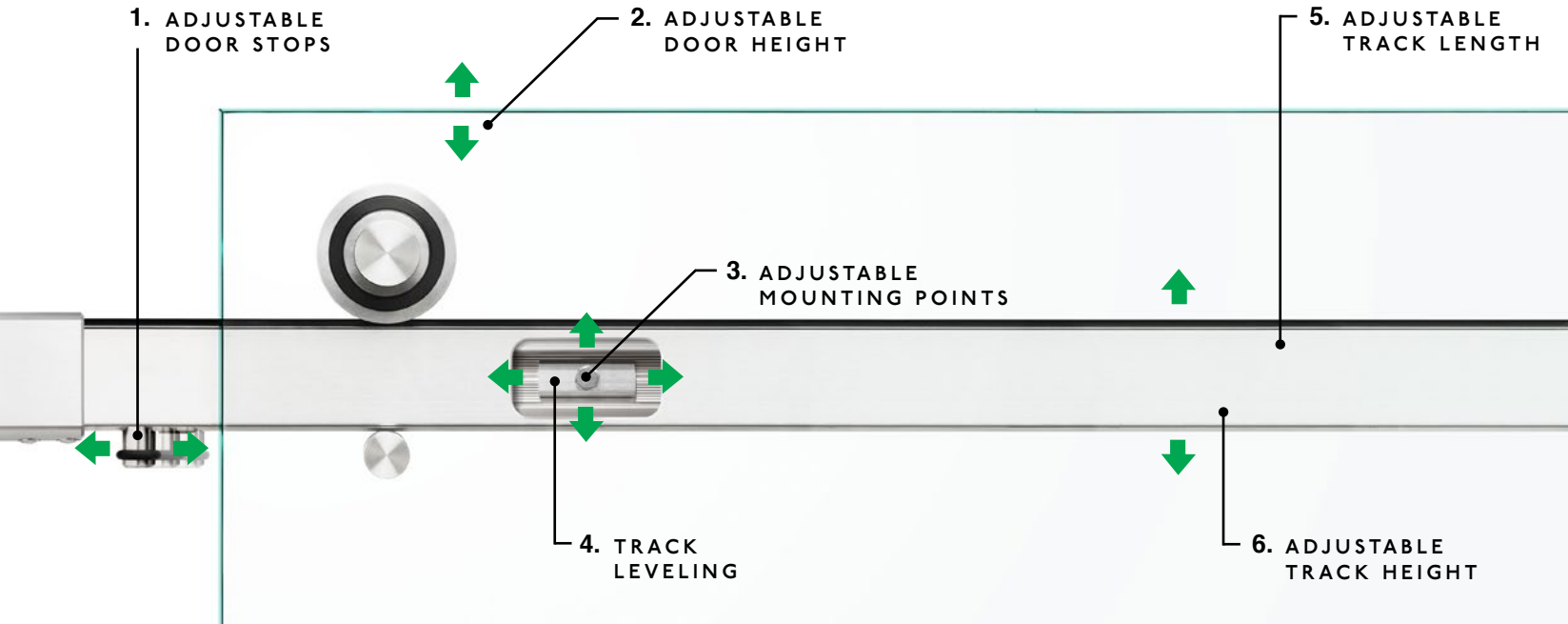
Bypass

ALCOVE / CORNER / BYPASS

Our systems are compatible with both Alcove and Corner enclosures and are available in both Single and Bypass door configurations.

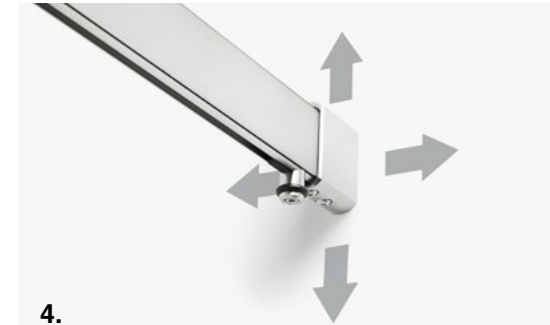
TOTAL ON-SITE ADJUSTABILITY

FOR A PERFECT INSTALLATION EVERY TIME



1. Adjust door travel during and after installation is complete.
2. Raise and lower door panel after installation to minimize gaps.
3. Easily drill track on-site for installation specific conditions.
4. Vertical and Horizontal adjustment at each track mounting point.
5. Easily cut track to desired length on-site with common tools.
6. Raise and lower entire track after installation.
7. Adjustable door guide provides fine-tuned door resistance.

Krownlab's glass shower systems are among the most sophisticated on the market today, offering unparalleled adjustability during and after installation. Our suite of patented adjustment features and easy-to-follow instructions ensures quick and precise installation every time.





INTERIOR SLIDING SYSTEMS

Krownlab manufactures complete hardware solutions for a wide range of residential and commercial [interior sliding glass](#) applications.

- Single, Bi-parting, and Bypass configurations.
- Up to 550 lb. door weight capacity.
- Perfectly smooth and silent door travel.
- Exceptional on-site system adjustability.
- Fast and accurate installation process.
- Patented design with strong project specs.
- Multiple premium finishes.
- ADA compliant pull force.
- 3/8" and 1/2" glass compatibility.
- 10-year commercial warranty.
- Made in the USA.

OFS Brands showroom conference space, Los Angeles, CA. Featuring [Oden](#) Glass Mount in bi-parting configuration and Black Stainless finish.



DESIGN FREEDOM

SCALE UP YOUR VISION

Krownlab's interior sliding glass systems perform flawlessly and handle the most challenging layouts with ease.

Standard configurations accommodate doors weighing up to 550 lb., and our customized configurations exceed that.

Seamlessly connect multiple tracks for unlimited continuous spans. A range of anchors for various applications make our systems exceptionally versatile.

- Up to 550 lb. door weight capacity.
- Unlimited track span length.
- Mount to glass and various wall types.
- Fully concealed fasteners.
- Durable premium finishes.
- Comprehensive product specifications.
- 3/8" and 1/2" glass compatibility.

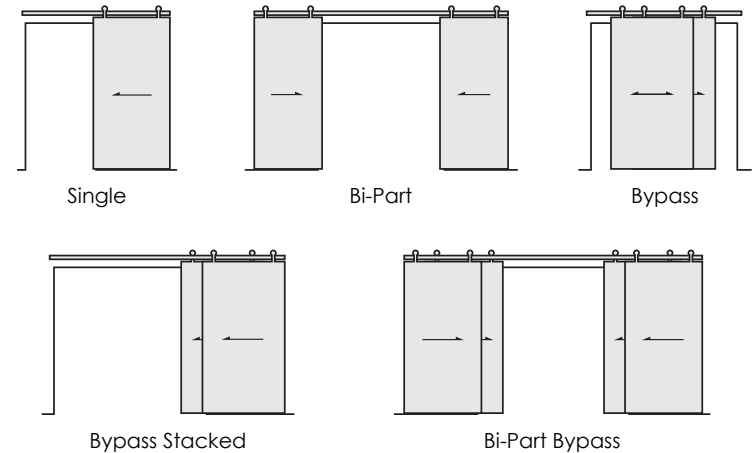
Beverly Estate In Los Angeles, CA. Featuring [Baldur](#) Glass Mount in Brushed Stainless finish.



UNMATCHED FLEXIBILITY

CONFIGURATIONS FOR EVERY LAYOUT

Krownlab's interior sliding glass systems are available in a wide range of door configurations for optimizing any interior space. Through world-class design and engineering, our products bring unparalleled freedom to your next project.

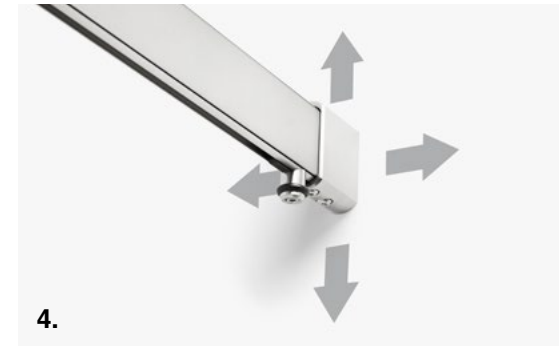
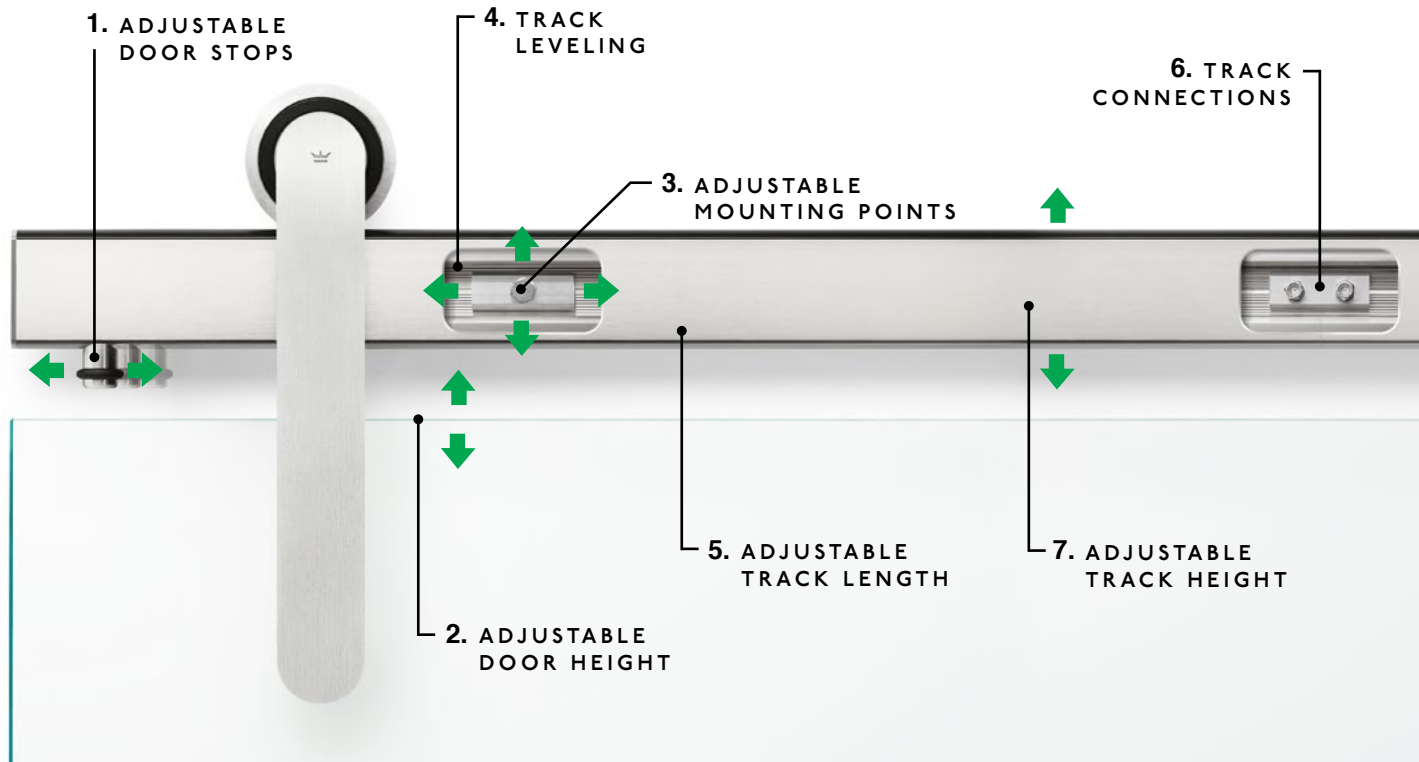


- Simplify installation by easily cutting and drilling tracks on-site.
- For Single door layouts, our high weight ratings allow for a wide range of door sizes.
- Bi-parting door configurations reduce door weight, require less wall space, and are often more convenient in high-traffic areas.
- Our Bypass door configurations allow for doors to be stacked within or to the side of the door opening. Custom drawings are provided to ensure a perfectly configured solution.

Top: Close-up of [Loki](#) Glass Mount in Brushed Stainless. Bottom: Skylab Architecture's office, Portland, OR. Featuring [Baldur](#) Glass Mount in Brushed Stainless finish.

TOTAL ON-SITE ADJUSTABILITY

FOR A PERFECT INSTALLATION EVERY TIME



1. Adjust door travel during and after installation is complete.
2. Raise and lower door panel after installation to minimize gaps.
3. Easily drill track on-site for installation specific conditions.
4. Vertical and Horizontal adjustment at each track mounting point.
5. Easily cut track to desired length on-site with common tools.
6. Seamless track connections with concealed track connector.
7. Raise and lower entire track after installation.
8. Adjustable door guide provides fine-tuned door resistance.

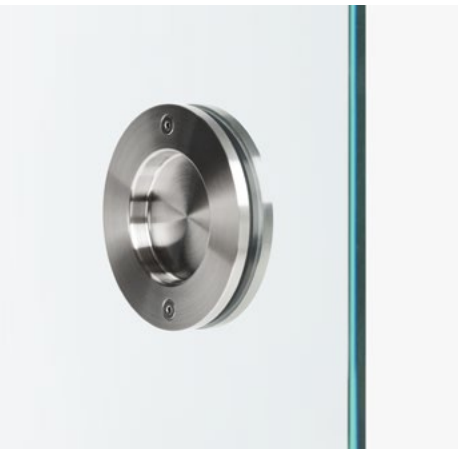
Krownlab's interior sliding systems are among the most sophisticated on the market today, offering unparalleled adjustability both during and after installation. Our suite of patented adjustment features and easy-to-follow instructions ensure a quick and precise installation every time.



DOOR PULLS FOR EVERY APPLICATION

Krownlab manufactures a full range of door pulls and handles for all residential and commercial glass door applications. Our [pulls](#) bring the right feel, function, and finishing touch to any project.

- Single and double-sided configurations.
- Flush-mounted and Stand-off versions.
- Available in customized lengths.
- Offered in matching premium finishes.
- 5/16" to 1/2" glass compatibility.
- 10-year commercial warranty.
- Proudly made in the USA.





COMPETITIVE PRICING

FOR EVERY PROJECT

Krownlab's products deliver industry-leading performance for a wide range of price points. Contact our Customer Care team for volume discounting. We strive to make our hardware accessible and bring exceptional value to projects of all types and sizes.

Salem Pain & Spine Clinic, Salem, OR.
Featuring [Oden](#) Glass Mount in Brushed Stainless finish.

INDUSTRY-LEADING TECHNICAL SUPPORT

LEVERAGE OUR EXPERTISE

Reach out to our [Customer Care](#) team and take advantage of our vast know-how. Working with a challenging layout? Needing a fast lead time? Trying to configure an entire project with pulls and accessories? We've seen it all and gladly provide support for every stage of your project.

For over 15 years, Krownlab has led the industry in design, manufacturing quality, and customer service. We'll make sure the details are right!

+1 503 292 6998 | support@krownlab.com





KROWNLAB

EST. 2008

**EXTRAORDINARY PRODUCTS
FOR EVERYDAY USE**