
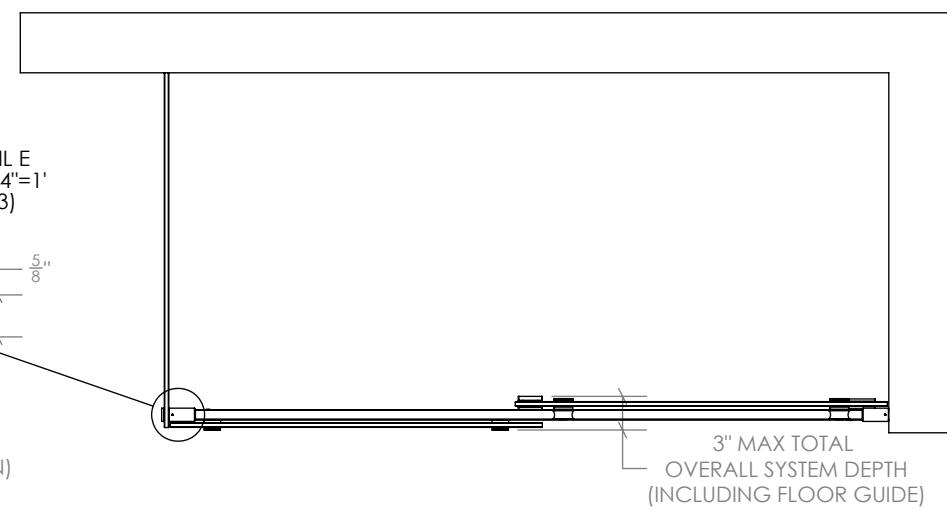
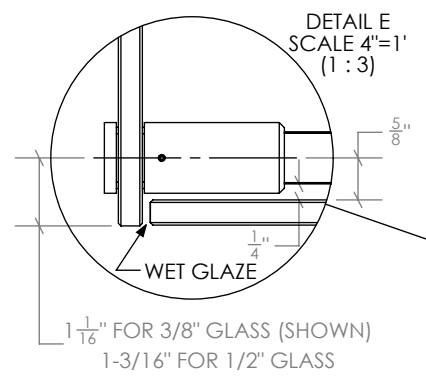
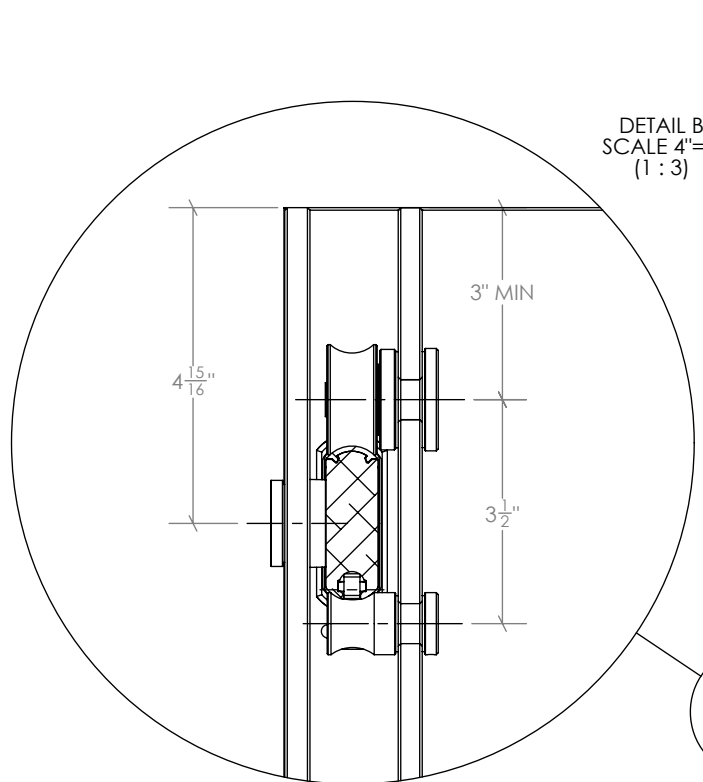
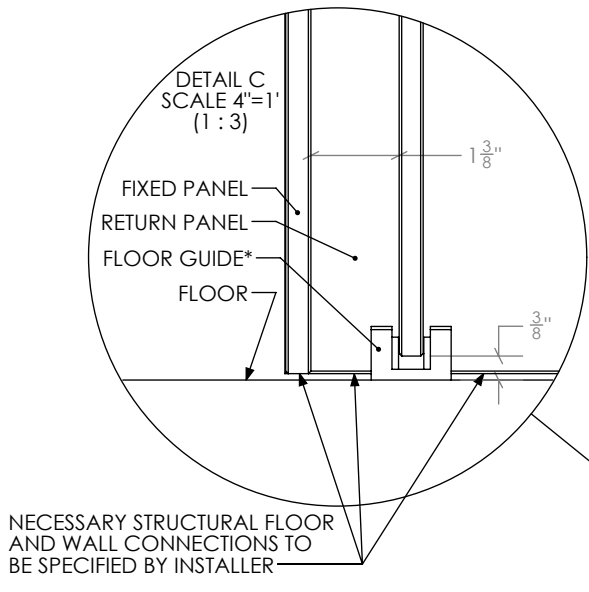
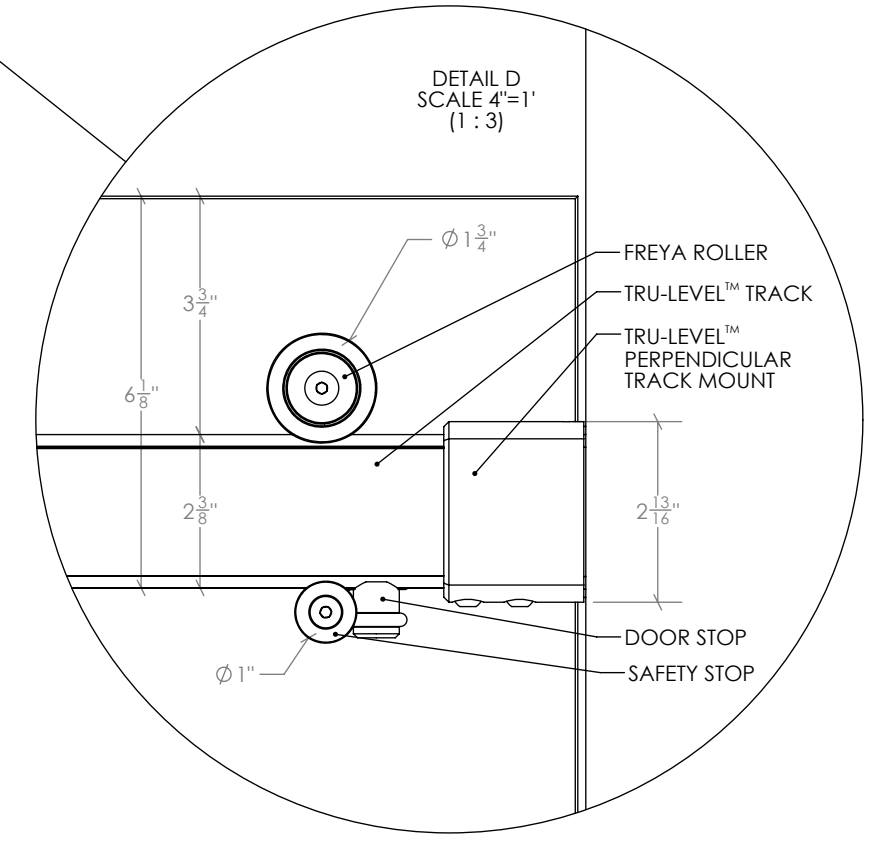
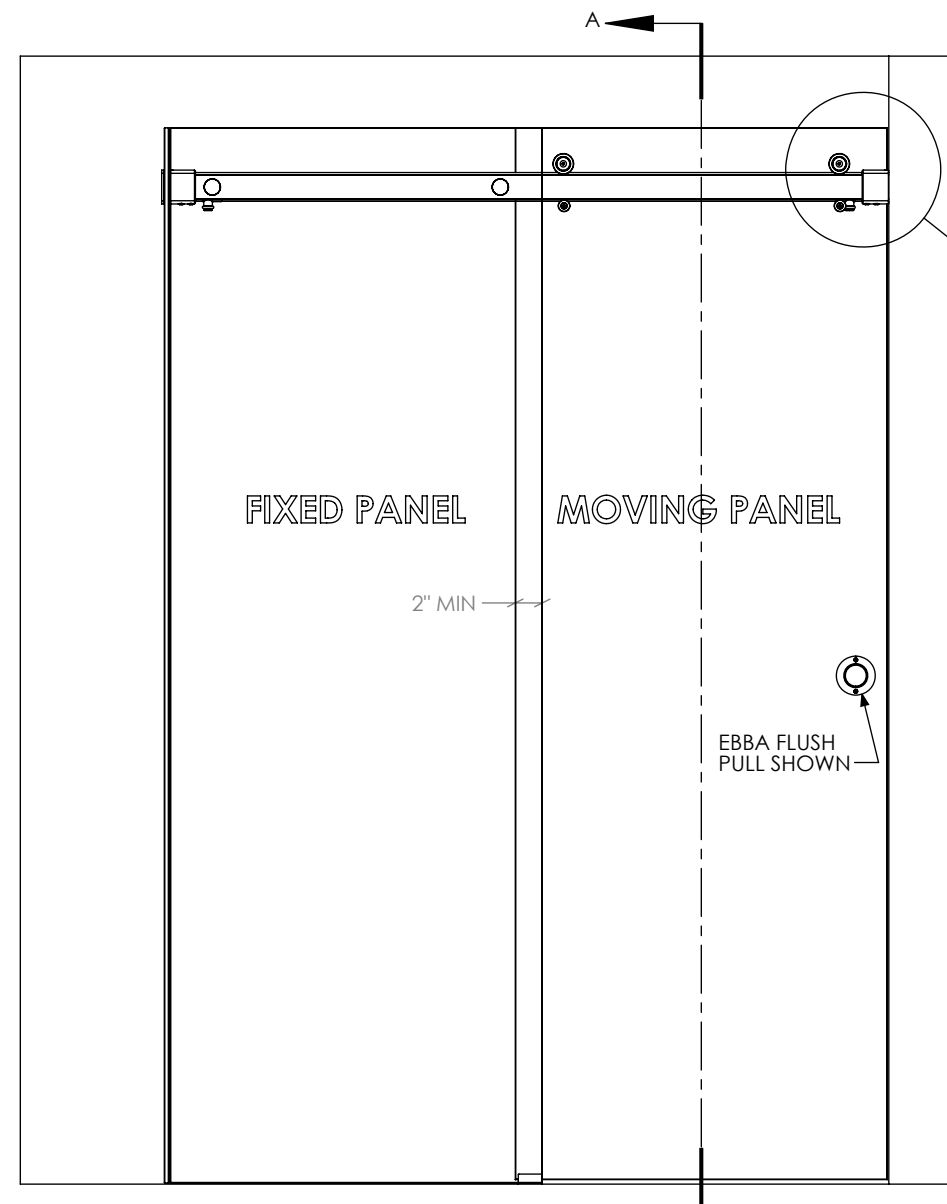
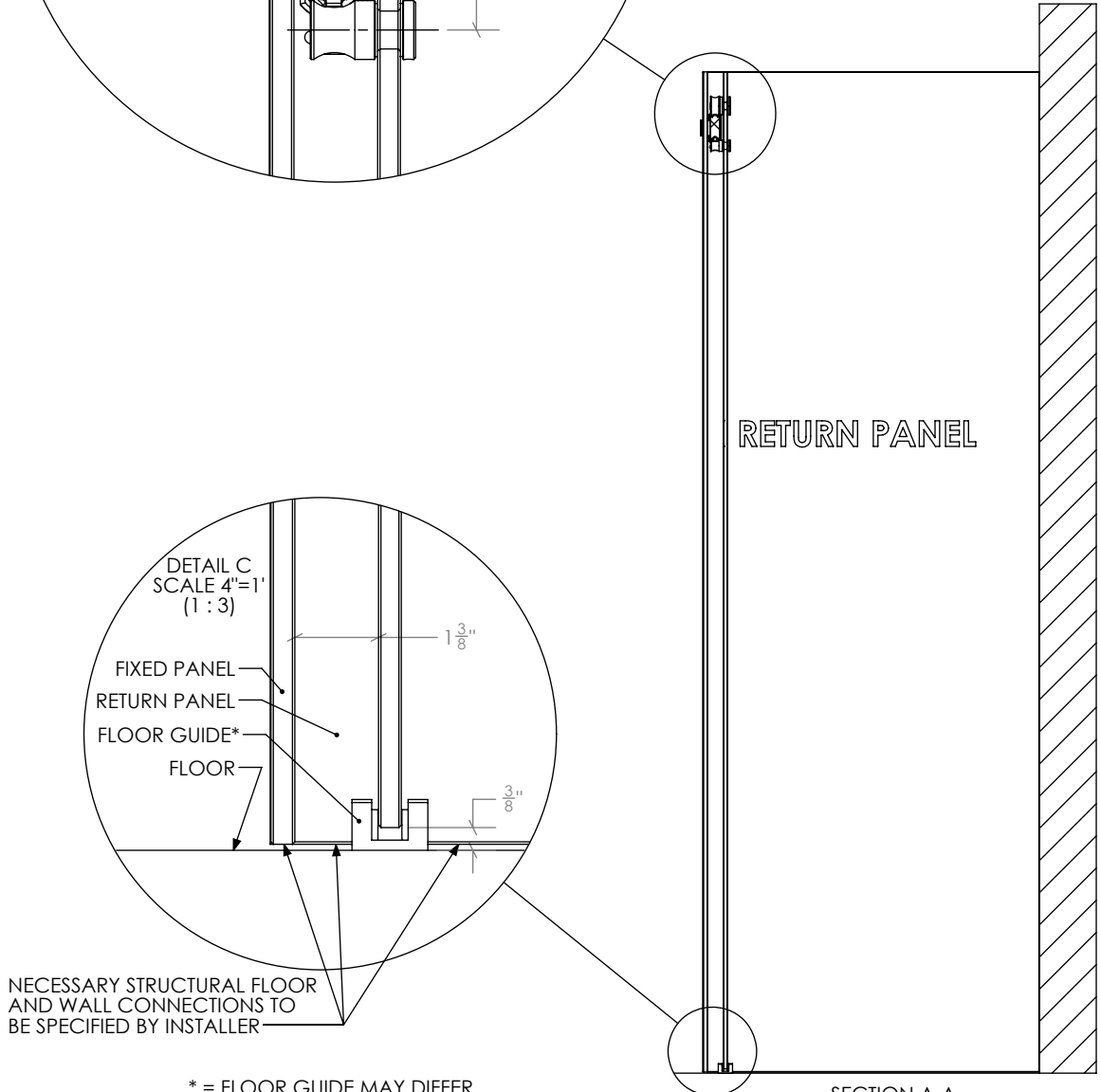
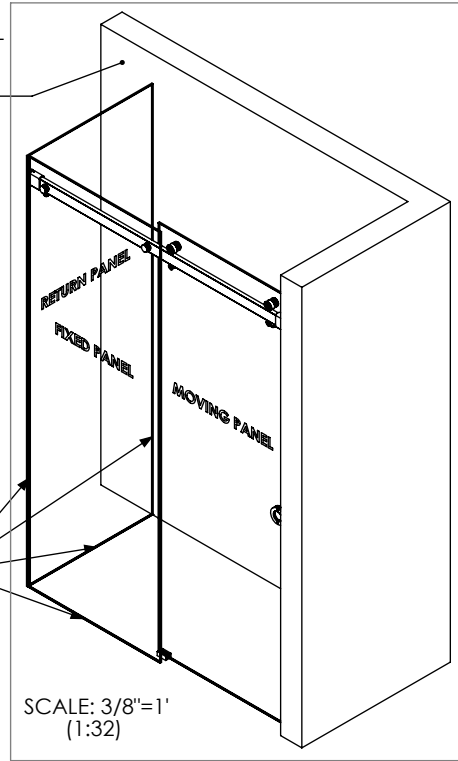



DOCUMENT:	PRODUCT SPECIFICATIONS	DOOR APPLICATION:	CORNER	DRAWING SCALE:	3/4" = 1'-0" (1:16)	KROWNLAB 2351 NW York St. Portland, OR 97210 +1 503 292 6998 www.krownlab.com support@krownlab.com	
SYSTEM:	FREYA	PANEL THICKNESS:	3/8" TO 1/2"	UNITS:	INCHES		
MOUNTING STYLE:	GLASS	MAXIMUM WEIGHT:	150LBS (CONTACT US FOR HEAVIER PANELS)	DATE:	3/6/2024		



GENERIC WALL SHOWN. THE TRU-LEVEL PERPENDICULAR TRACK MOUNTING DRAWING IN THE FOLLOWING PAGES COVERS SUPPORTED WALL TYPES.

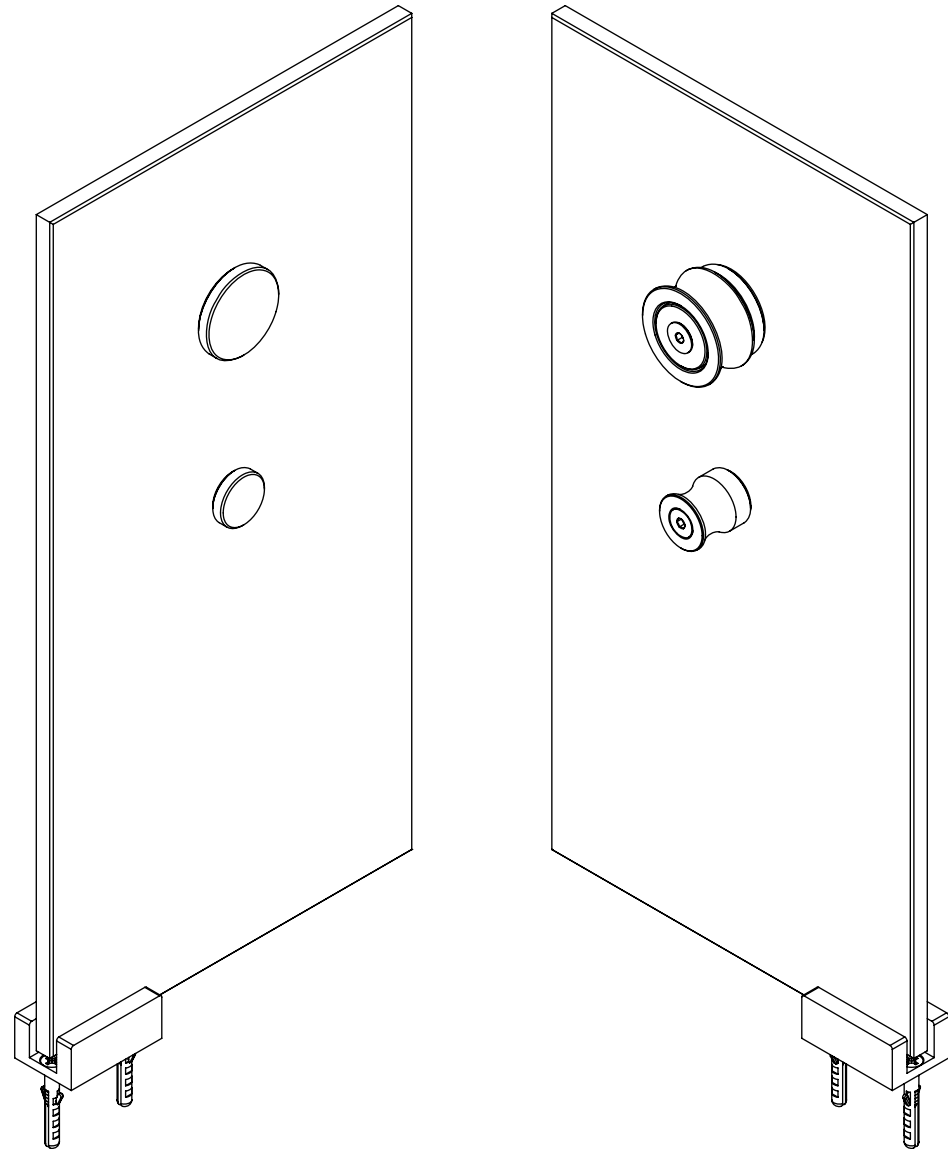


* = FLOOR GUIDE MAY DIFFER

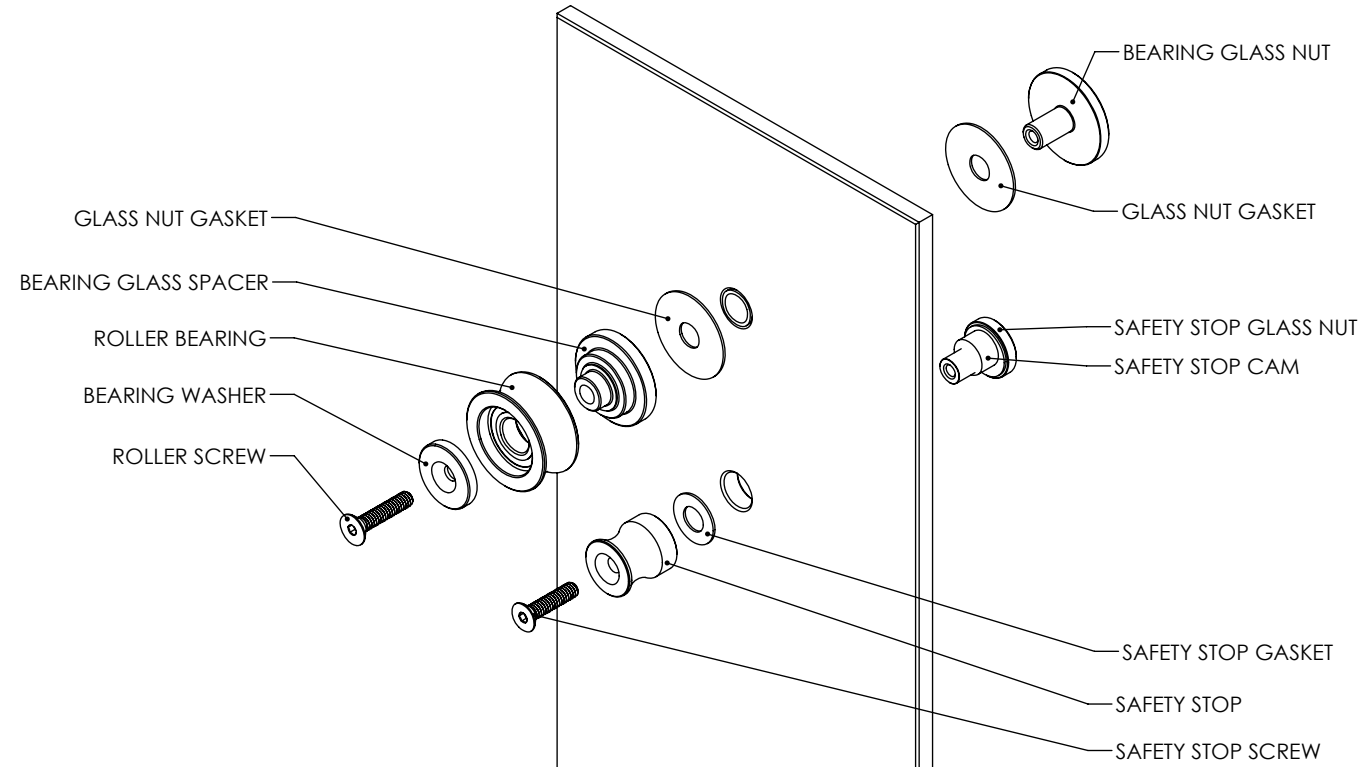
DOCUMENT:	PRODUCT SPECIFICATIONS	DOOR APPLICATION:	ALCOVE, CORNER, BYPASSING	DRAWING SCALE:	3/4" = 1'-0" (1:3)	KROWNLAB 2351 NW York St. Portland, OR 97210 +1 503 292 6998 www.krownlab.com support@krownlab.com	
SYSTEM:	FREYA	PANEL THICKNESS:	5/16" TO 1/2". DOOR APPLICATION DEPENDENT	UNITS:	INCHES		
MOUNTING STYLE:	GLASS	MAXIMUM WEIGHT:	DOOR APPLICATION AND TRACK CONFIGURATION DEPENDENT	DATE:	3/6/2024		

WHAT'S INCLUDED PER DOOR PANEL:
 2 x - FREYA GLASS MOUNT TROLLEY KIT
 1 x - FLOOR GUIDE KIT (FLOOR GUIDE MAY DIFFER - MULTIPLE OPTIONS EXIST)
 1 x - TRU-LEVEL™ TRACK SYSTEM WITH ALL MOUNTING HARDWARE (SEE SEPARATE PAGE)

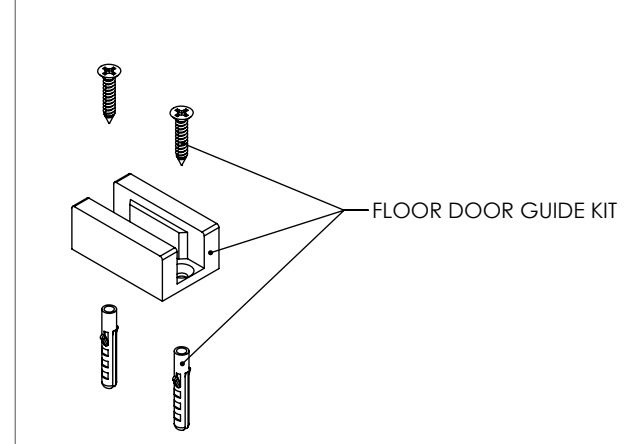
ALL GLASS PANELS AND FIXED MOUNTING HARDWARE MUST BE SOURCED THROUGH GLASS INSTALLER OR OTHER PARTY



FREYA GLASS MOUNT TROLLEY KIT (x 2 INCLUDED)



FLOOR GUIDE KIT (x 1 INCLUDED*)



* = THE FLOOR GUIDE MAY DIFFER - MULTIPLE OPTIONS EXIST

DOCUMENT:	PRODUCT SPECIFICATIONS - GLASS DOOR PANEL SPECIFICATIONS	DOOR APPLICATION:	ALCOVE, CORNER, BYPASSING	DRAWING SCALE:	3/4" = 1'-0" (1:12)	KROWNLAB 2351 NW York St. Portland, OR 97210 +1 503 292 6998 www.krownlab.com support@krownlab.com
SYSTEM:	FREYA	PANEL THICKNESS:	5/16" TO 1/2". DOOR APPLICATION DEPENDENT	UNITS:	INCHES	
MOUNTING STYLE:	GLASS	MAXIMUM WEIGHT:	TRACK CONFIGURATION DEPENDENT	DATE:	1/15/2024	



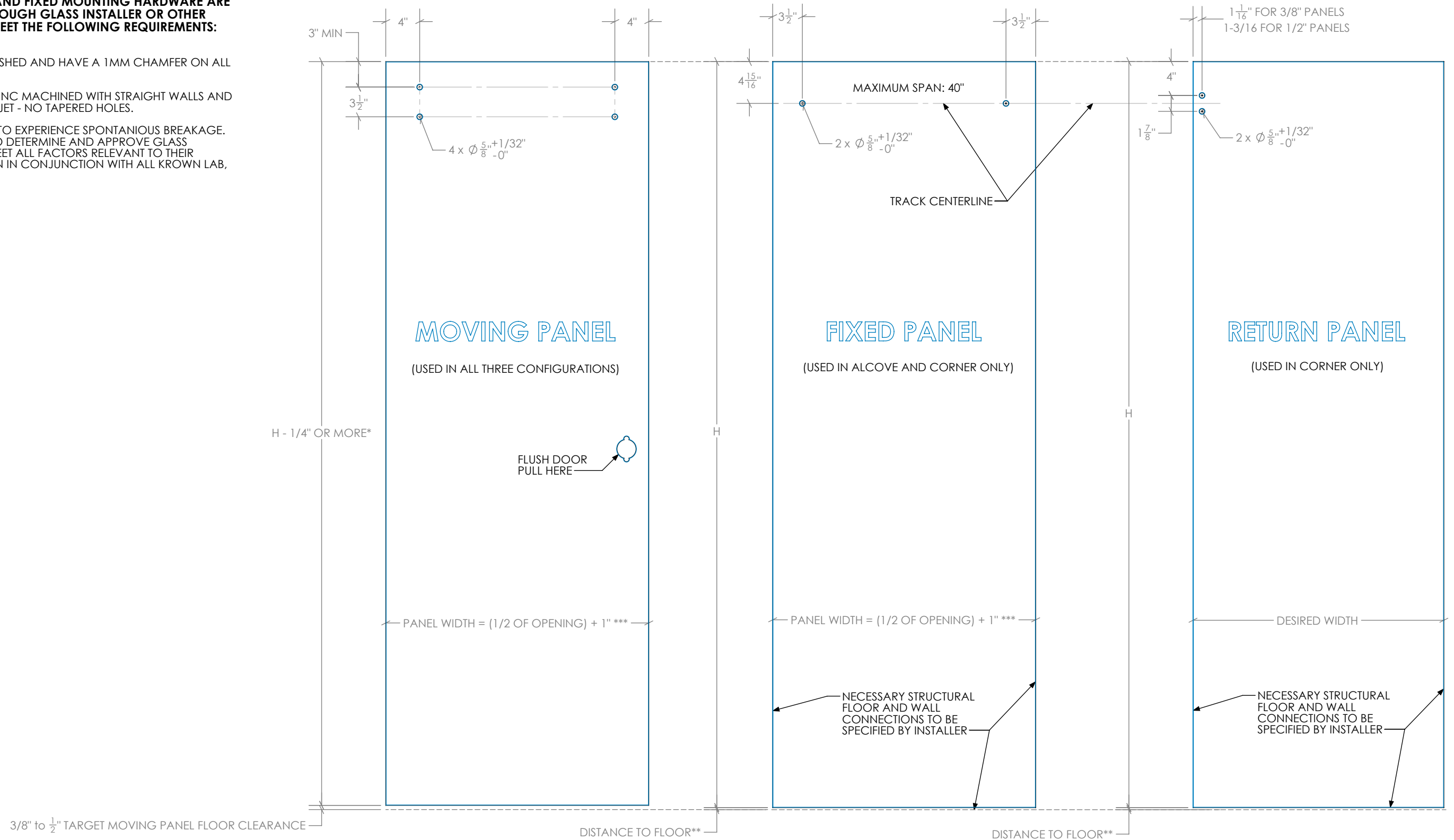
ALL GLASS PANELS AND FIXED MOUNTING HARDWARE ARE TO BE SOURCED THROUGH GLASS INSTALLER OR OTHER PARTY, AND MUST MEET THE FOLLOWING REQUIREMENTS:

GLASS PANELS MUST BE FLAT POLISHED AND HAVE A 1MM CHAMFER ON ALL EDGES.

ALL HOLES MUST BE DRILLED OR CNC MACHINED WITH STRAIGHT WALLS AND SEAMED EDGES. DO NOT WATER-JET - NO TAPERED HOLES.

ALL TEMPERED GLASS IS SUBJECT TO EXPERIENCE SPONTANEOUS BREAKAGE. IT IS THE BUYERS RESPONSIBILITY TO DETERMINE AND APPROVE GLASS SPECIFICATION(S) SUITABLE TO MEET ALL FACTORS RELEVANT TO THEIR PARTICULAR USE OR APPLICATION IN CONJUNCTION WITH ALL KROWN LAB, INC.'S PRODUCTS.


REFERENCE ASTM C1048, 7.9.5



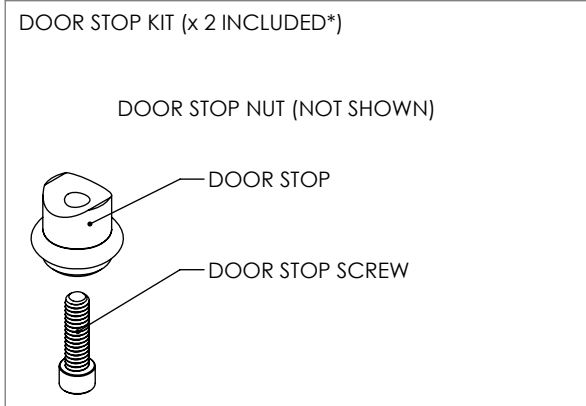
* = 1/4" IN FORMULA ASSUMES FIXED AND RETURN PANELS STRUCTURALLY SECURED 1/8" TO 1/4" OFF FLOOR.

** = DISTANCE TO FLOOR TO BE DETERMINED BY INSTALLER BASED ON CHOSEN STRUCURAL FLOOR CONNECTIONS.

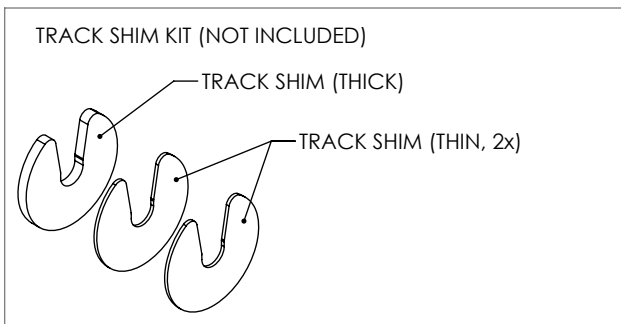
*** = THE PANEL WIDTH FORMULA CREATES A 2" OVERLAP, NOT ACCOUNTING FOR NECESSARY WALL AND PANEL CLEARANCES. WIDTH PROPORTIONS ARE BASED ON NON-PROTRUDING DOOR PULLS. PROTRUDING DOOR PULLS ARE NOT COMPATIBLE WITH BYPASSING AND REQUIRE SPECIAL CONSIDERATION.

DOCUMENT:	PRODUCT SPECIFICATIONS	DOOR APPLICATION:	SINGLE & BI-PARTING	DRAWING SCALE:	6" = 1'-0" (1:2)	KROWNLAB 2351 NW York St. Portland, OR 97210 +1 503 292 6998 www.krownlab.com support@krownlab.com	
SYSTEM:	TRU-LEVEL™ TRACK	PANEL THICKNESS:	3/8" TO 1/2" (CONTACT US FOR PANELS OUTSIDE OF THIS RANGE)	UNITS:	INCHES		
MOUNTING STYLE:	GLASS WALL	MAXIMUM WEIGHT:	UP TO 400 LBS. TROLLEY SYSTEM OR TRACK CONFIGURATION DEPENDENT	DATE:	11/16/2023		

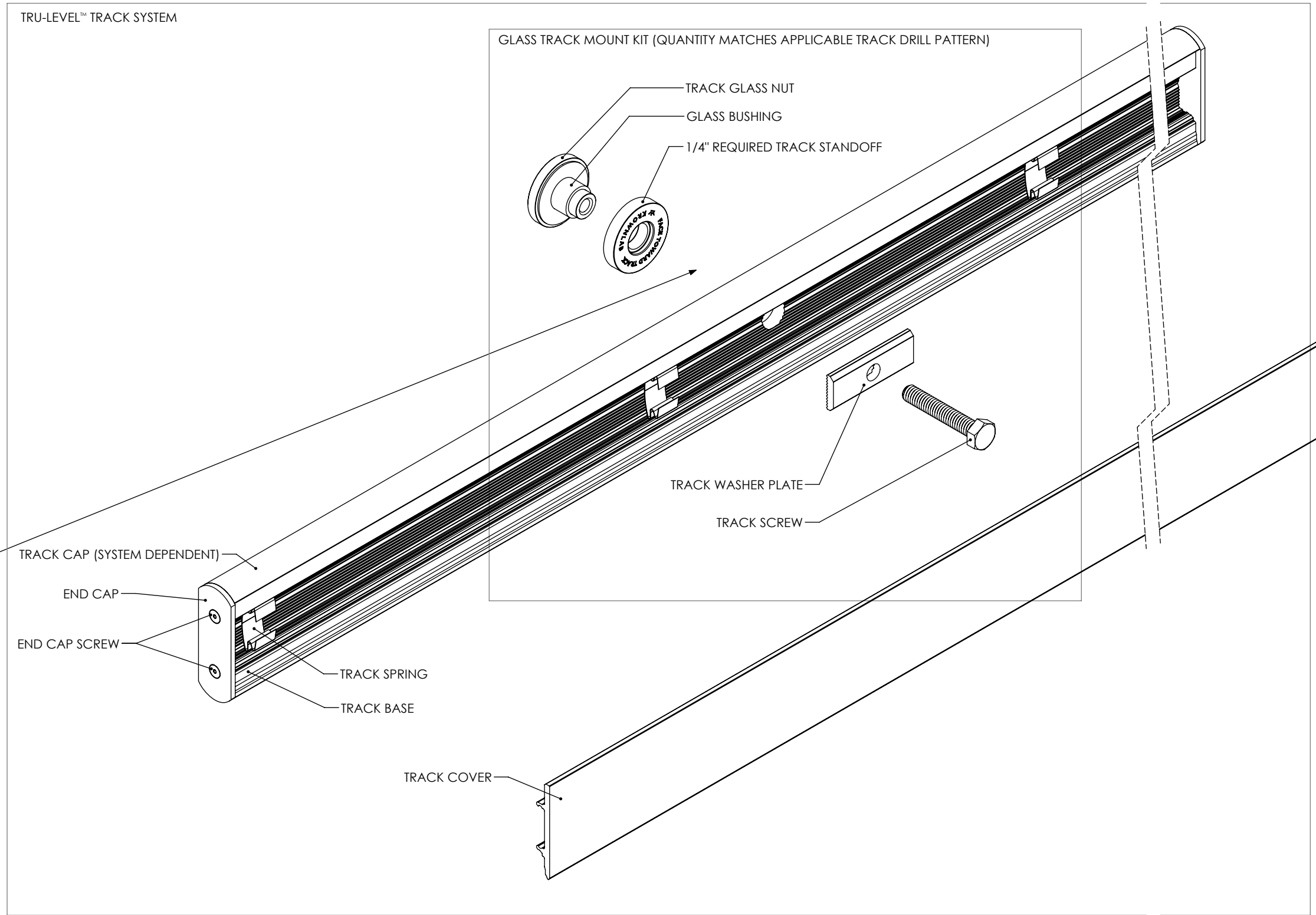
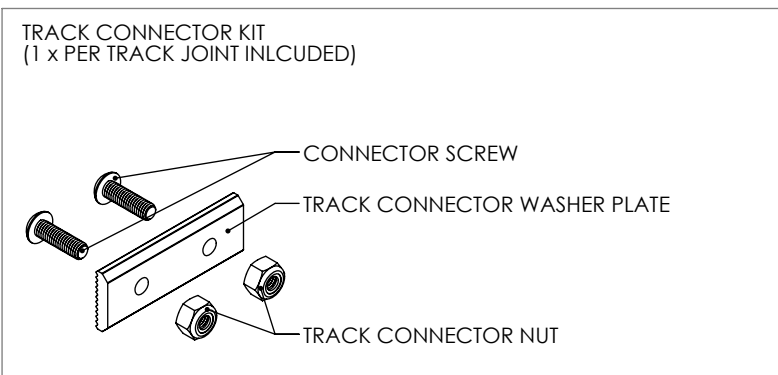
WHAT'S INCLUDED:
 1 x TRU-LEVEL™ TRACK SYSTEM WITH ALL MOUNTING HARDWARE:
 X x GLASS TRACK MOUNT KIT
 2 x DOOR STOP KIT
 X x TRACK CONNECTOR KIT (1 x PER TRACK JOINT INLCUDED)



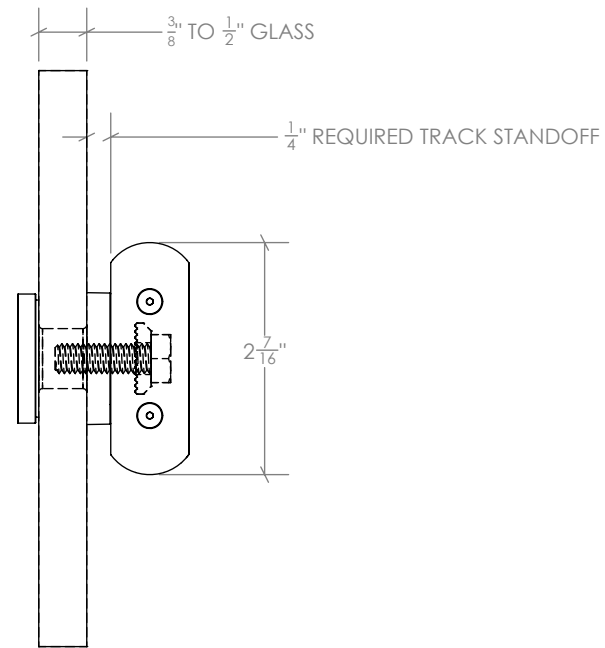
* = THE DOOR STOP MAY DIFFER - MULTIPLE OPTIONS EXIST
 VISIT WWW.KROWNLAB.COM FOR ALL OPTIONS



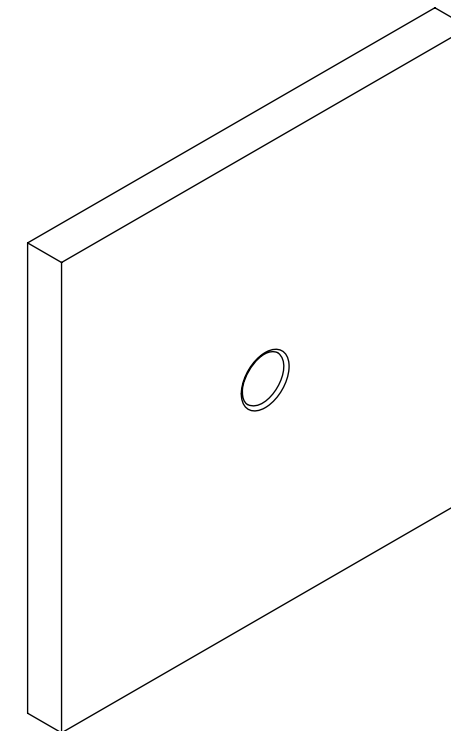
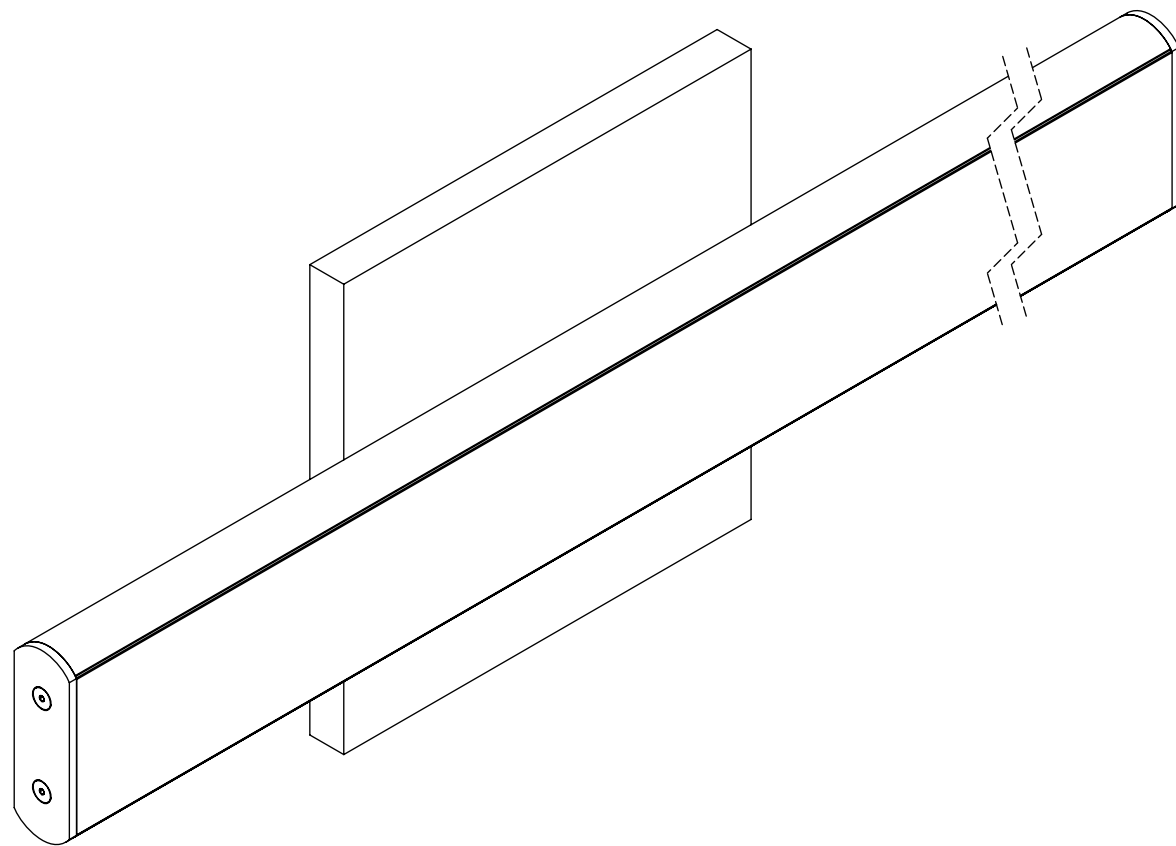
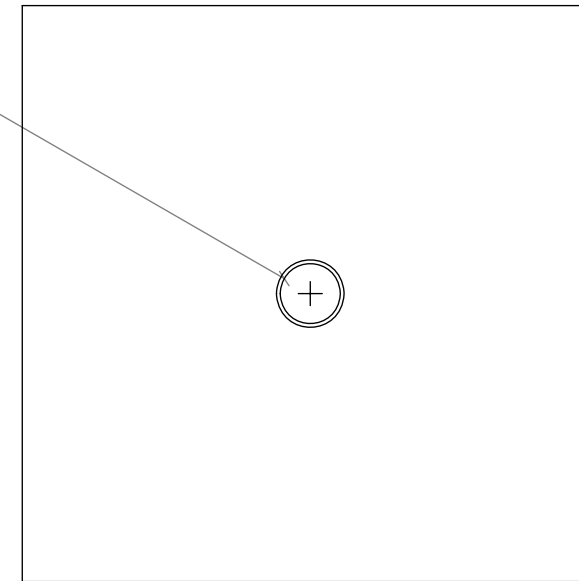
TRACK SHIMS ARE DESIGNED TO BE INSTALLED AGAINST TRACK



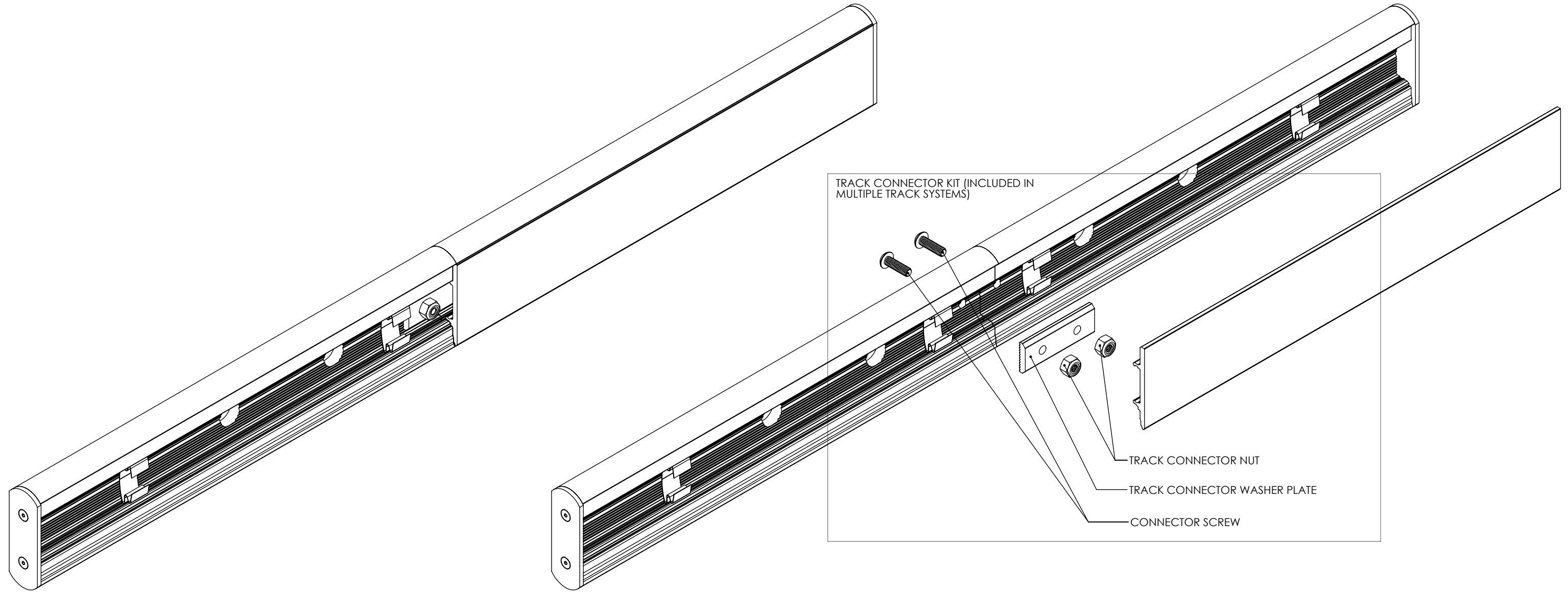
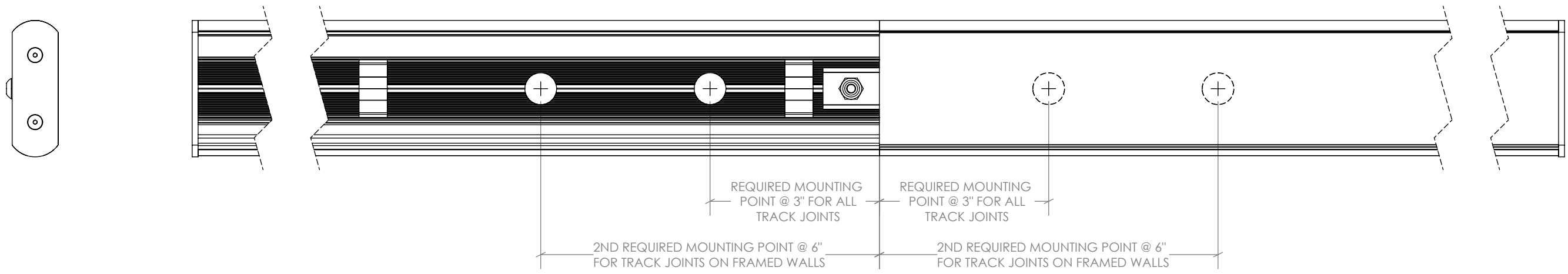
DOCUMENT:	PRODUCT SPECIFICATIONS - STANDARD GLASS TRACK MOUNTING POINT	DOOR APPLICATION:	SINGLE & BI-PARTING	DRAWING SCALE:	6" = 1'-0" (1:2)	KROWNLAB 2351 NW York St. Portland, OR 97210 +1 503 292 6998 www.krownlab.com support@krownlab.com
SYSTEM:	TRU-LEVEL™ TRACK	PANEL THICKNESS:	3/8" TO 1/2" (CONTACT US FOR PANELS OUTSIDE OF THIS RANGE)	UNITS:	INCHES	
MOUNTING STYLE:	GLASS WALL	MAXIMUM WEIGHT:	UP TO 400 LBS. TROLLEY SYSTEM OR TRACK CONFIGURATION DEPENDENT	DATE:	11/16/2023	



$\varnothing \frac{5}{8} + \frac{1}{32}$ HOLE
SEE GLASS PANEL SPECIFICATIONS
PAGE FOR MORE DETAILS



DOCUMENT:	PRODUCT SPECIFICATIONS - TRACK CONNECTOR	DOOR APPLICATION:	SINGLE & BI-PARTING	DRAWING SCALE:	6" = 1'-0" (1:2)	KROWNLAB 2351 NW York St. Portland, OR 97210 +1 503 292 6998 www.krownlab.com support@krownlab.com	
SYSTEM:	TRU-LEVEL™ TRACK	PANEL THICKNESS:	TROLLEY SYSTEM DEPENDENT	UNITS:	INCHES		
MOUNTING STYLE:	ALL WALL TYPES	MAXIMUM WEIGHT:	TROLLEY SYSTEM OR TRACK CONFIGURATION DEPENDENT	DATE:	11/16/2023		




DOCUMENT:	PRODUCT SPECIFICATIONS - PERPENDICULAR TRACK MOUNTING POINT
SYSTEM:	TRU-LEVEL™ TRACK
MOUNTING STYLE:	FRAMED WALL, TILED WALL, GLASS WALL

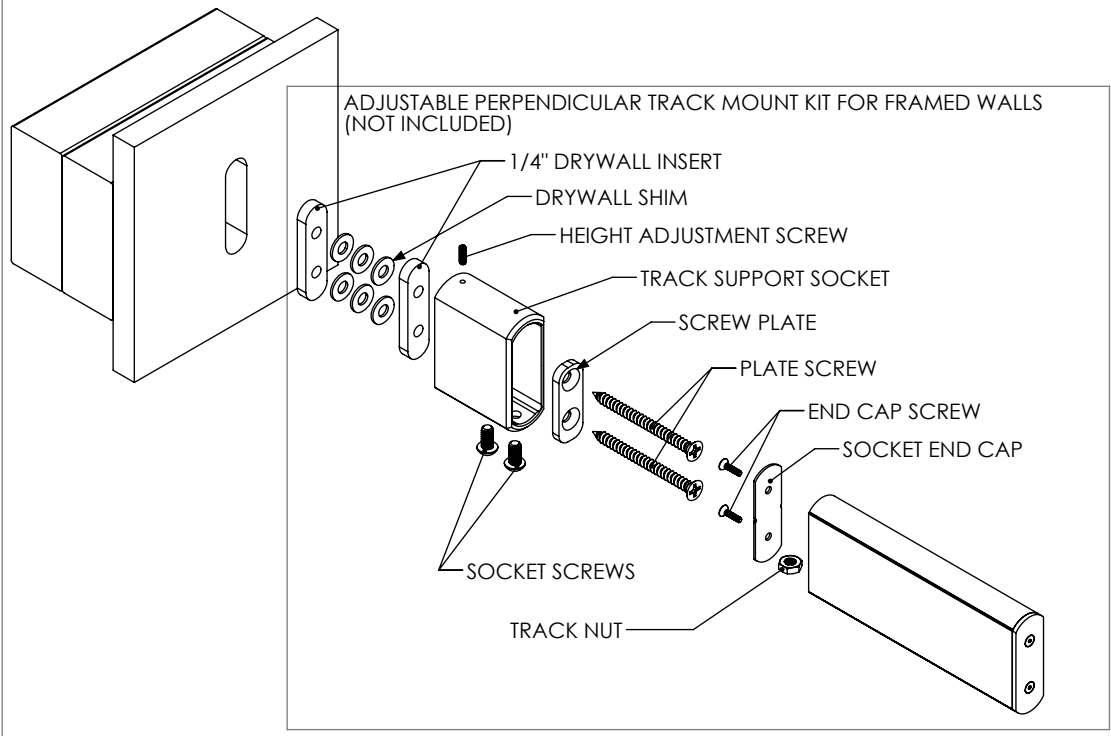
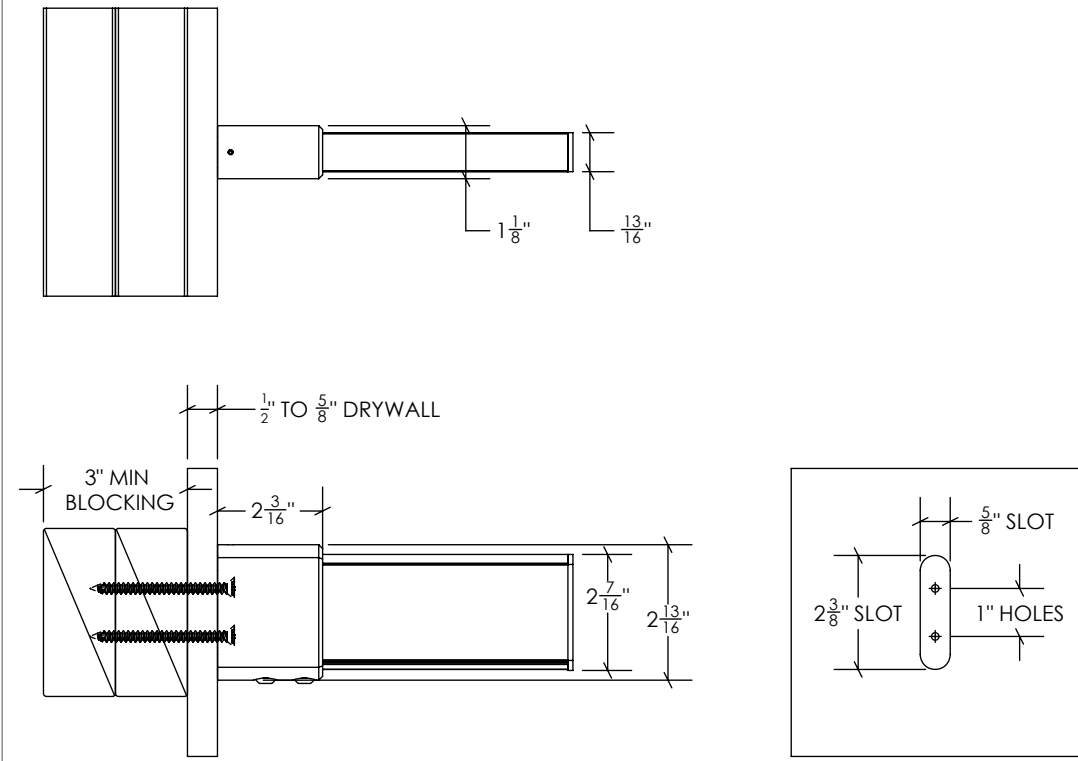
DOOR APPLICATION:	SINGLE, BI-PARTING, BYPASSING
PANEL THICKNESS:	3/8" TO 1/2" (CONTACT US FOR PANELS OUTSIDE OF THIS RANGE)
MAXIMUM WEIGHT:	TROLLEY SYSTEM AND TRACK CONFIGURATION DEPENDENT

DRAWING SCALE:	3/4" = 1'-0" (1:16)
UNITS:	INCHES
DATE:	11/16/2023

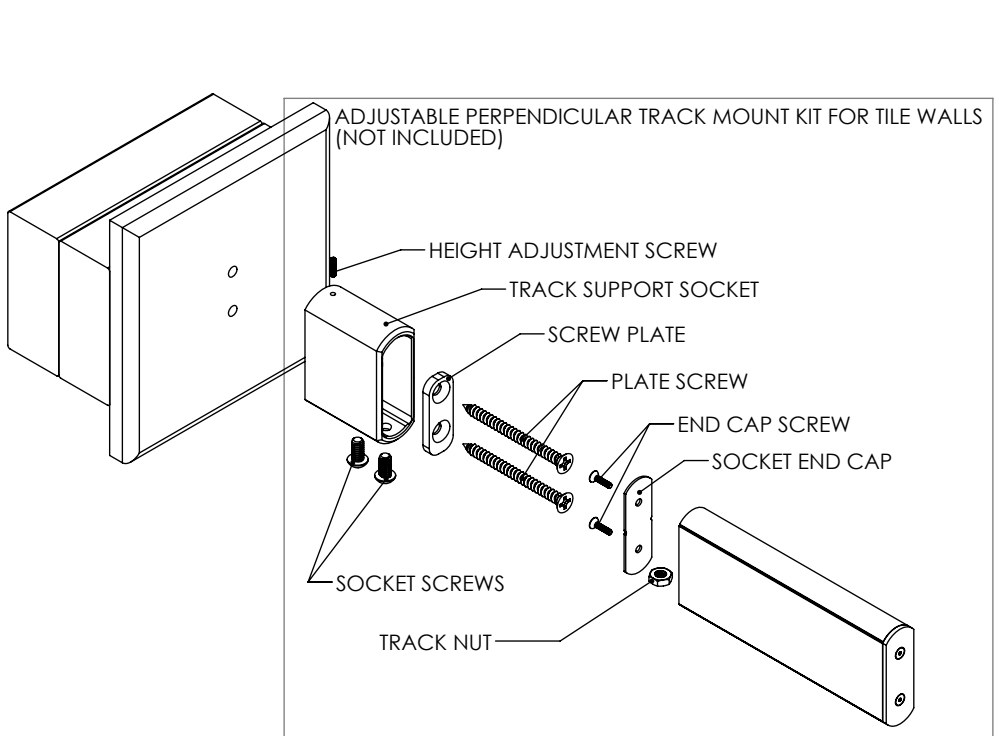
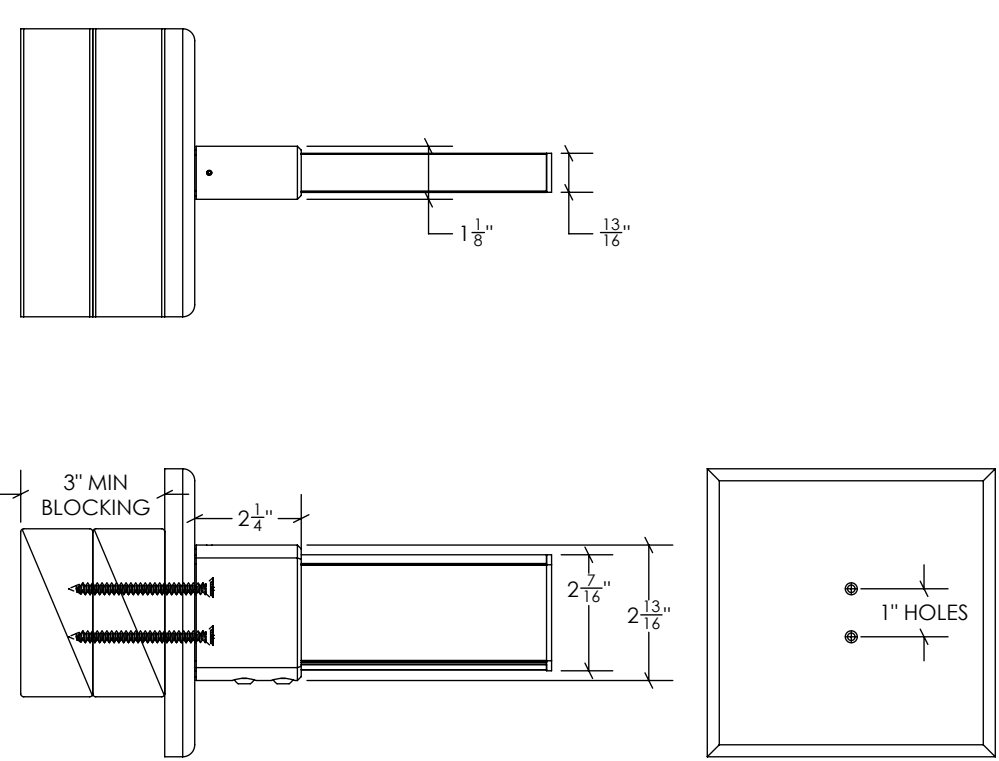
KROWNLAB
2351 NW York St.
Portland, OR 97210
+1 503 292 6998
www.krownlab.com
support@krownlab.com



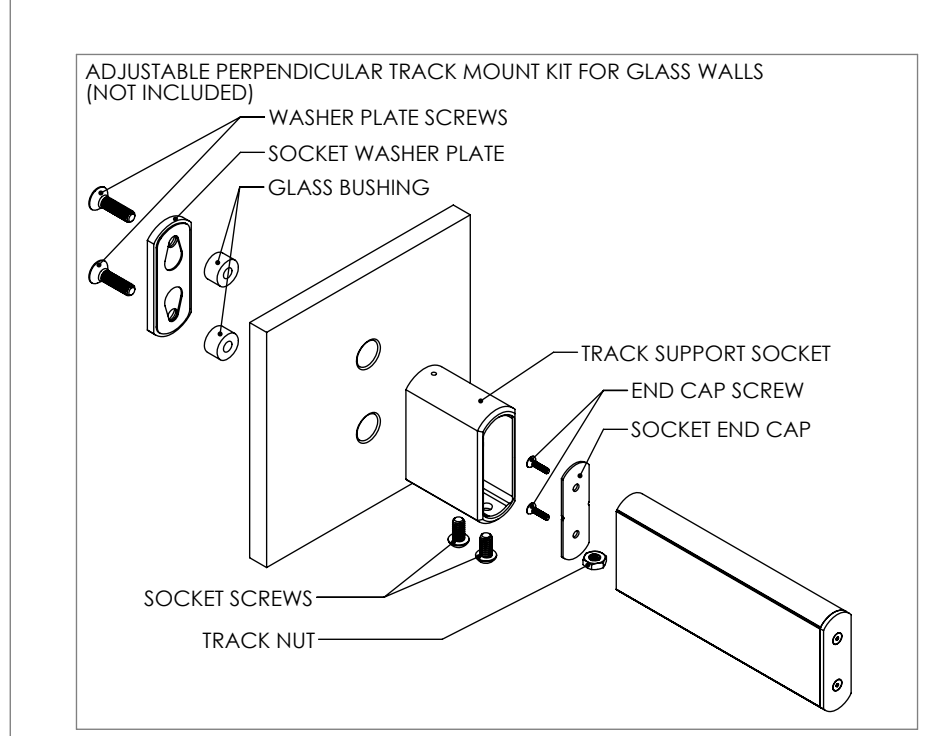
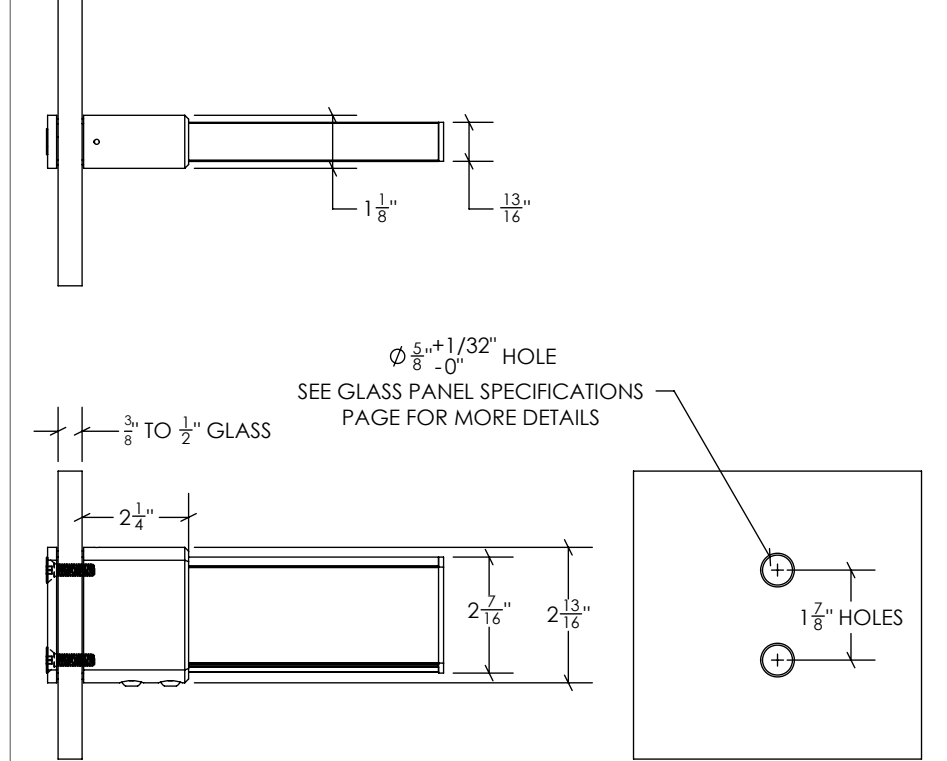
PERPENDICULAR FRAMED WALL
SCALE: 3" = 1'-0" (1:4)



PERPENDICULAR TILE WALL
SCALE: 3" = 1'-0" (1:4)



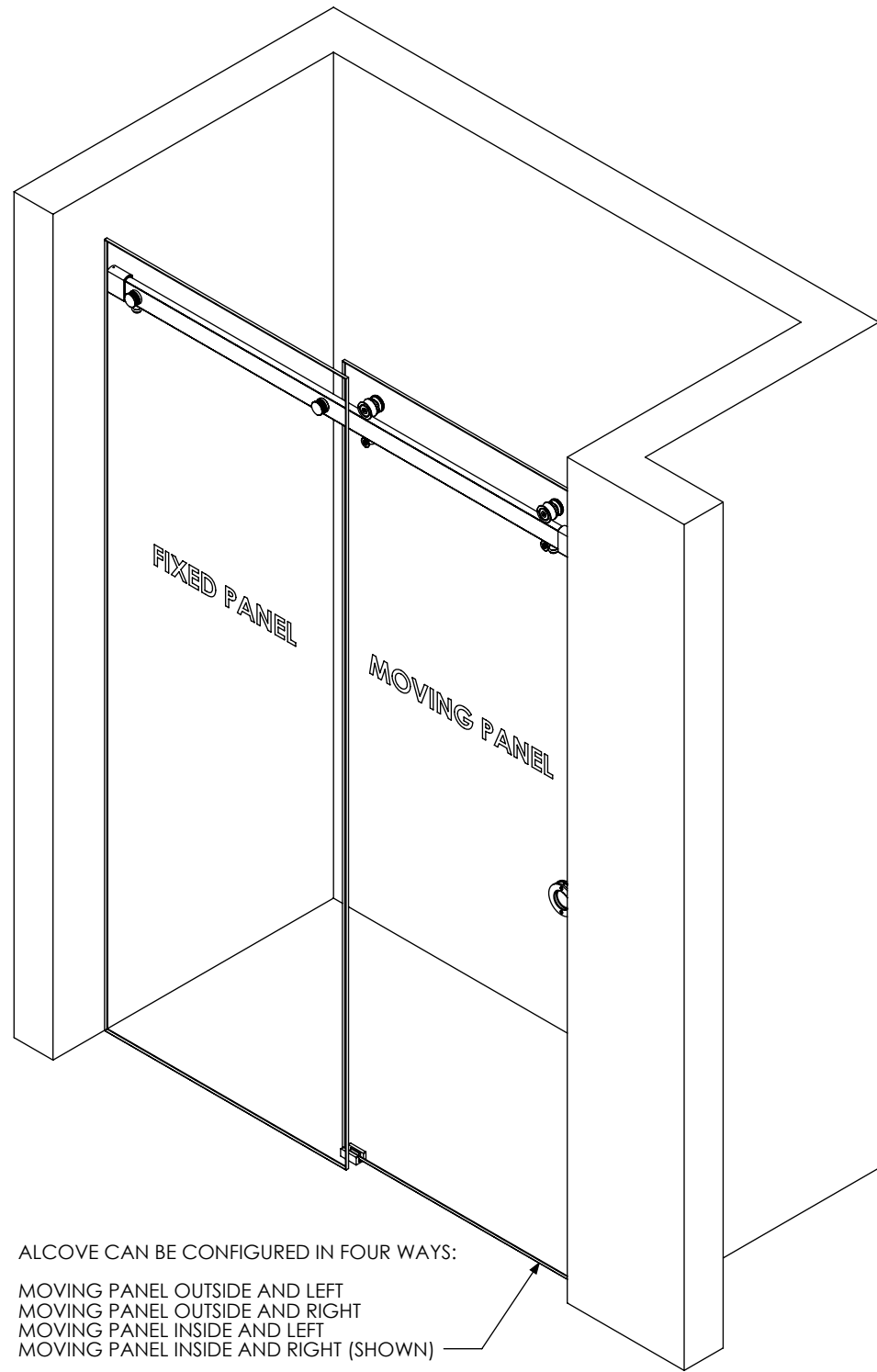
PERPENDICULAR GLASS WALL
SCALE: 3" = 1'-0" (1:4)



DOCUMENT:	PRODUCT SPECIFICATIONS - CONFIGURATIONS	DOOR APPLICATION:	ALCOVE, CORNER, BYPASSING	DRAWING SCALE:	3/4" = 1'-0" (1:16)	KROWNLAB 2351 NW York St. Portland, OR 97210 +1 503 292 6998 www.krownlab.com support@krownlab.com
SYSTEM:	FREYA	PANEL THICKNESS:	5/16" TO 1/2". DOOR APPLICATION DEPENDENT	UNITS:	INCHES	
MOUNTING STYLE:	GLASS	MAXIMUM WEIGHT:	DOOR APPLICATION AND TRACK CONFIGURATION DEPENDENT	DATE:	1/15/2024	



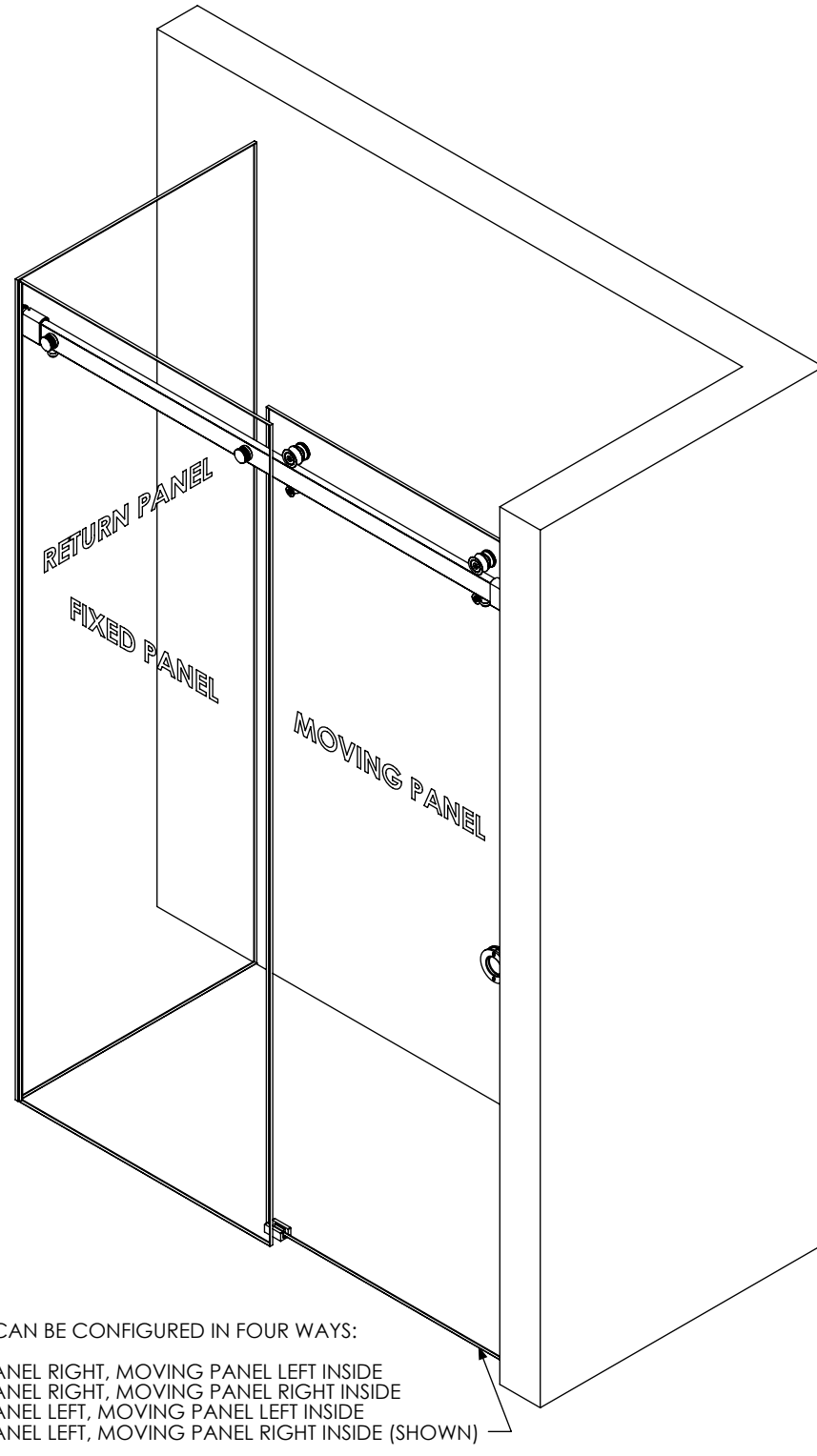
ALCOVE



ALCOVE CAN BE CONFIGURED IN FOUR WAYS:
 MOVING PANEL OUTSIDE AND LEFT
 MOVING PANEL OUTSIDE AND RIGHT
 MOVING PANEL INSIDE AND LEFT
 MOVING PANEL INSIDE AND RIGHT (SHOWN)

ALCOVE GLASS THICKNESS RANGE: 3/8" To 1/2"

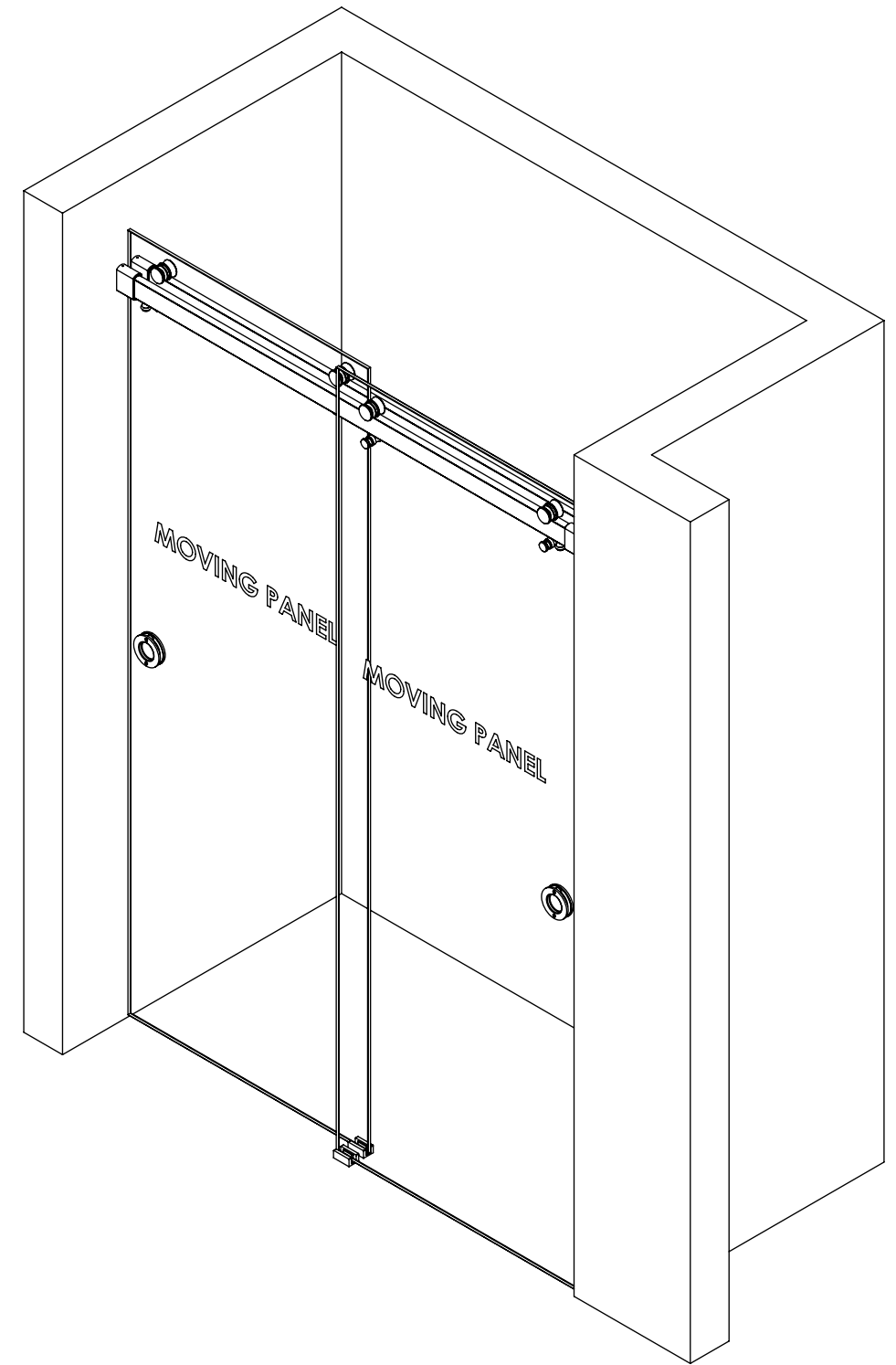
CORNER



CORNER CAN BE CONFIGURED IN FOUR WAYS:
 RETURN PANEL RIGHT, MOVING PANEL LEFT INSIDE
 RETURN PANEL RIGHT, MOVING PANEL RIGHT INSIDE
 RETURN PANEL LEFT, MOVING PANEL LEFT INSIDE
 RETURN PANEL LEFT, MOVING PANEL RIGHT INSIDE (SHOWN)

CORNER GLASS THICKNESS RANGE: 3/8" To 1/2"

BYPASSING



BYPASS GLASS THICKNESS RANGE: 5/16" To 1/2"