

# EBBA

## CLOSED

A low-profile, highly ergonomic flush-mounted door pull, specifically designed for sliding doors. Made in the USA from solid stainless steel.

### FEATURES

- Designed specifically for sliding door applications, intuitively preventing users from pushing or pulling on the door.
- Accommodates glass, wood, metal-clad, and composite doors.
- Available in single and double-sided configurations.
- Manufactured from high-quality stainless steel with a fine #4 circular grained texture.
- Finishes match Krownlab's sliding barn door systems.
- Designed in Portland, OR. Proudly Made In The USA.
- 10 year commercial warranty.

### SPECIFICATIONS

- Compatible with glass panels 3/8" to 1/2" in thickness. Contact us for panels outside of this thickness range.
- Compatible with wood panels of any thickness.

### WHAT'S INCLUDED

- 1 x complete door pull(s)
- 1 x all necessary mounting hardware for selected door panel.



### QUICK LOOK

#### FINISH OPTIONS



Brushed Stainless



Black Stainless

#### CONFIGURATIONS

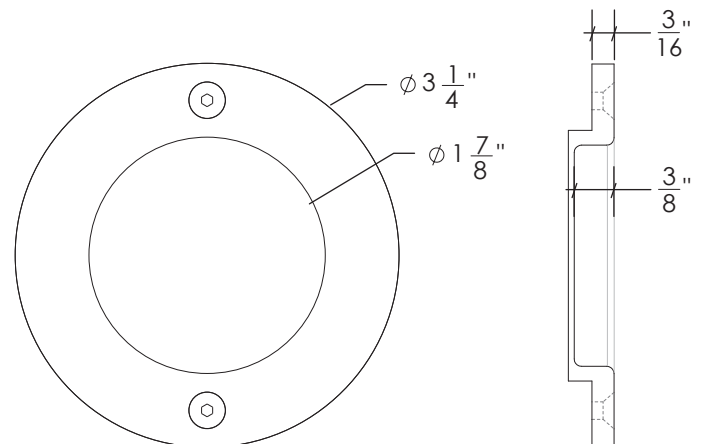
Available in single and double-sided configurations.

#### DOOR PANEL COMPATIBILITY

Glass, wood, metal-clad, and composite door panels.

#### MORE INFORMATION

For more information visit: [www.krownlab.com/ebba](http://www.krownlab.com/ebba)



### ORDERING AND PRICING

For inquiries or to place orders, please contact: [support@krownlab.com](mailto:support@krownlab.com), or call +1 503 292 6998. Trade discounts and volume pricing available.