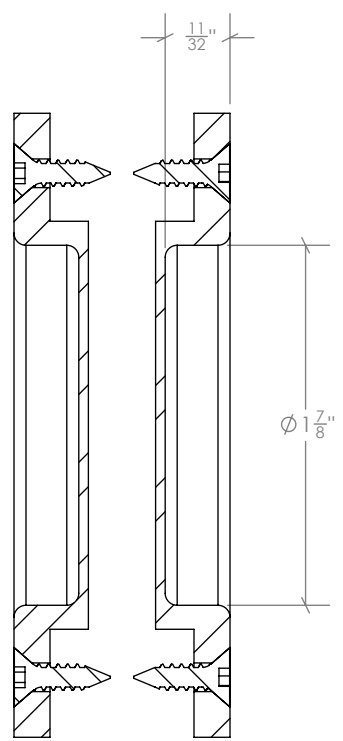
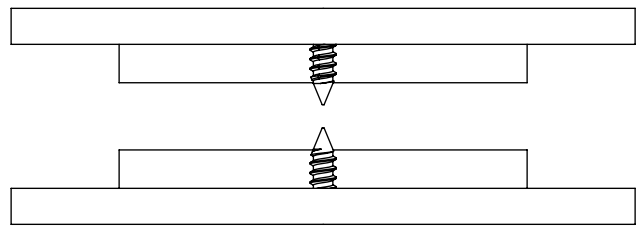


DOCUMENT:	PRODUCT SPECIFICATIONS	DOOR APPLICATION:	SINGLE, BI-PARTING, BYPASSING	DRAWING SCALE:	1'-0" = 1'-0" (1:1)	KROWNLAB 2351 NW York St. Portland, OR 97210 +1 503 292 6998 www.krownlab.com support@krownlab.com
SYSTEM:	EBBA DOOR PULL	PANEL THICKNESS:	3/4" MINIMUM	UNITS:	INCHES	
MOUNTING STYLE:	WOOD	MAXIMUM WEIGHT:	TROLLEY SYSTEM OR TRACK CONFIGURATION DEPENDENT	DATE:	12/13/2018	



SECTION A-A

