

# ODEN

## GLASS MOUNT

Combine elegance with outstanding long lasting performance. Featuring the Tru-Level track system, with an array of unique site adjustment features for fast and precise installation. Made in the USA from high-grade billet aluminum.

### FEATURES

- Fast and easy installs with the Tru-Level™ system, providing a full 1/4" vertical and lateral adjustment at all mounting points.
- Easily set and readjust door travel on site, even after install.
- High precision bearings provide silent and smooth door travel.
- Accommodates glass, wood, metal-clad, and composite doors.
- ADA compatible door pull force at full panel weight.
- Designed in Portland, OR. Proudly Made In The USA.
- 10 year commercial warranty.

### SPECIFICATIONS

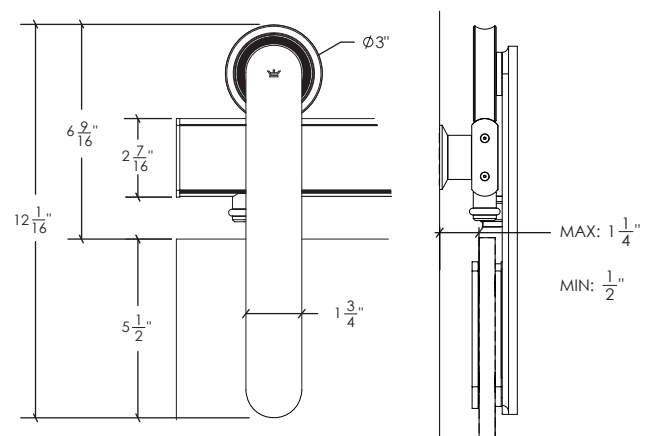
- Single track lengths available up to 12' (142").
- Multiple tracks can easily be joined together on site.
- Tracks comes predrilled or undrilled.
- Made-to-measure available for any length and drill pattern.
- Easily modify track length on site with common tools.
- Accommodates glass and framed walls.

### WHAT'S INCLUDED

- 1 x track system with all necessary mounting hardware.
  - 2 x door stops.
  - 2 x trolleys with all necessary door mounting hardware.
  - 1 x door bottom guide
- Visit our website for all compatible options and add-ons.

### DETAILS

- Standard compatible with glass panels 3/8" to 1/2" thick. Contact us for panels outside of this thickness range.
- Standard 400 lb door weight capacity. Choose Baldur for heavier door panels, or contact us.
- A full 1/4" of out-of-plumb adjustment at each trolley for additional door panel adjustment, even after installation.



### QUICK LOOK

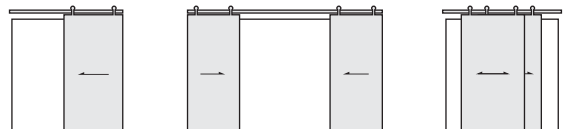
#### FINISH OPTIONS



Brushed Stainless

Black Stainless

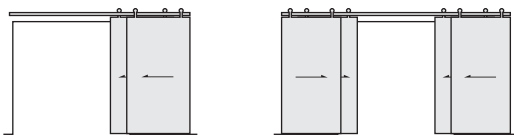
#### CONFIGURATIONS



Single

Bi-Part

Bypass



Bypass Stacked

Bi-Part Bypass

#### WEIGHT CAPACITY

400 lb per panel. Contact us for heavier door panels.

#### DOOR PANEL COMPATIBILITY

Glass, wood, metal-clad, and composite door panels.

#### MORE INFORMATION

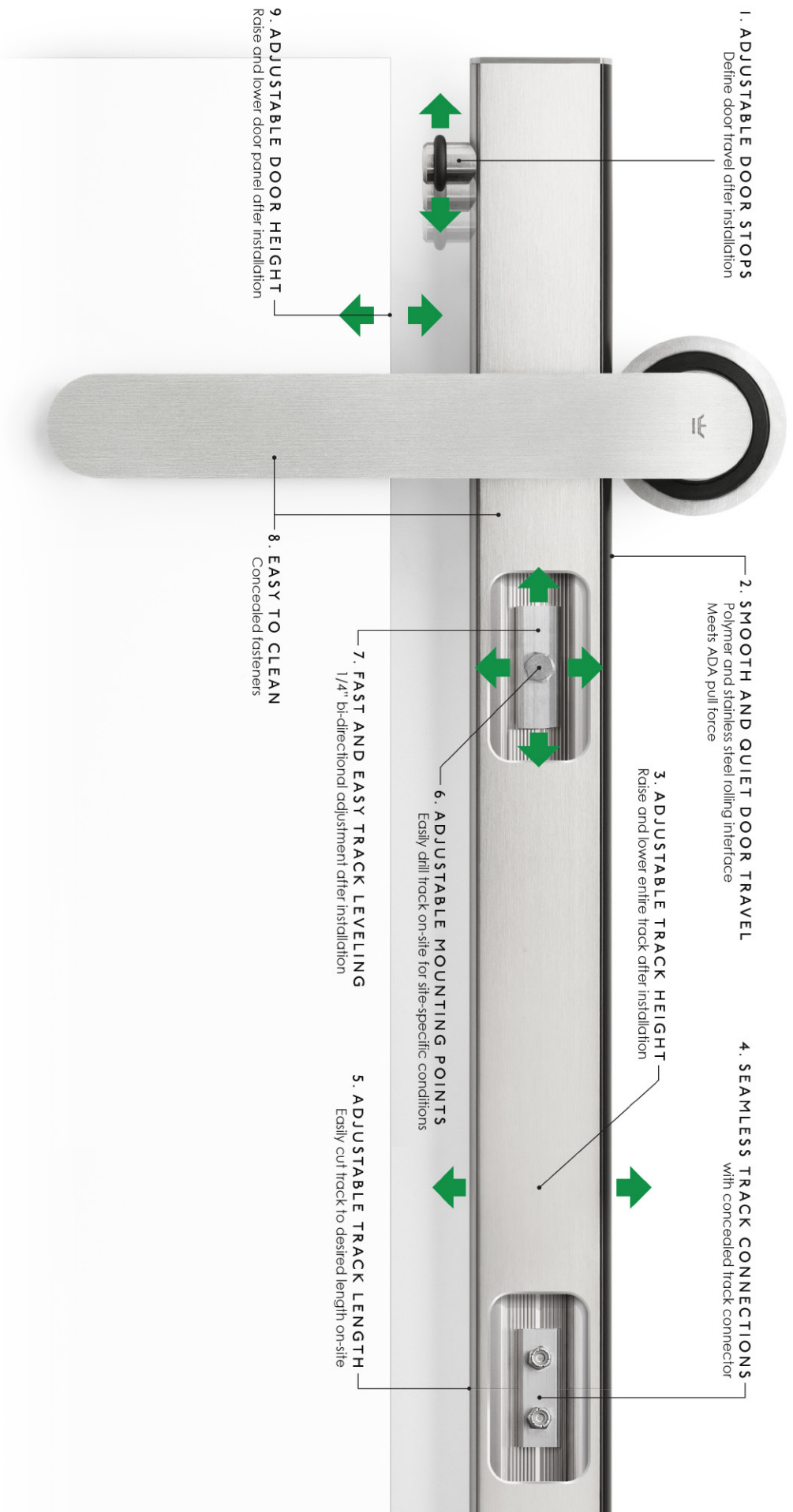
For more information visit: [www.krownlab.com/oden](http://www.krownlab.com/oden)

#### ORDERING AND PRICING

For inquiries or to place orders, please contact: [support@krownlab.com](mailto:support@krownlab.com), or call +1 503 292 6998  
Trade discounts and volume pricing available.

# ODEN

## GLASS MOUNT



**1. ADJUSTABLE DOOR STOPS**  
Define door travel after installation

**2. SMOOTH AND QUIET DOOR TRAVEL**  
Polymer and stainless steel rolling interface  
Meets ADA pull force

**3. ADJUSTABLE TRACK HEIGHT**  
Raise and lower entire track after installation

**4. SEAMLESS TRACK CONNECTIONS**  
with concealed track connector

**6. ADJUSTABLE MOUNTING POINTS**  
Easily drill track on-site for site-specific conditions

**7. FAST AND EASY TRACK LEVELING**  
1/4" bi-directional adjustment after installation

**5. ADJUSTABLE TRACK LENGTH**  
Easily cut track to desired length on-site

**8. EASY TO CLEAN**  
Concealed fasteners

**9. ADJUSTABLE DOOR HEIGHT**  
Raise and lower door panel after installation