



OLAV

A strikingly simple flush-mounted door pull made specifically for sliding door applications. Made in the USA from high-quality mild or stainless steel.

FEATURES




- Designed specifically for sliding door applications.
- Intuitively prevents users from pushing or pulling on the door.
- Accommodates wood, metal-clad, and composite doors.
- Manufactured from mild or stainless steel
- Finishes match Krownlab's sliding barn door systems.
- Designed in Portland, OR. Proudly Made In The USA.
- 10 year commercial warranty.

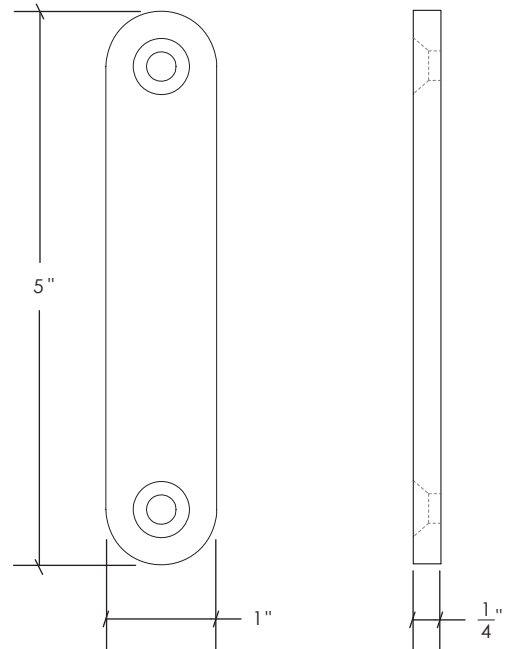
SPECIFICATIONS

- For door panels 3/4" and thicker.
- Available in single and double-sided configurations.

WHAT'S INCLUDED

- 1 x complete door pull(s)
- 1 x all necessary mounting hardware.

QUICK LOOK		
FINISH OPTIONS		
		
Raw Steel	Black Steel	Brushed Stainless
CONFIGURATIONS		
Available in single and double-sided configurations.		
DOOR PANEL COMPATIBILITY		
Wood, metal-clad, and composite door panels.		
MORE INFORMATION		
For more information visit: www.krownlab.com/olav		



ORDERING AND PRICING

For inquiries or to place orders, please contact: support@krownlab.com, or call +1 503 292 6998
Trade discounts and volume pricing available.