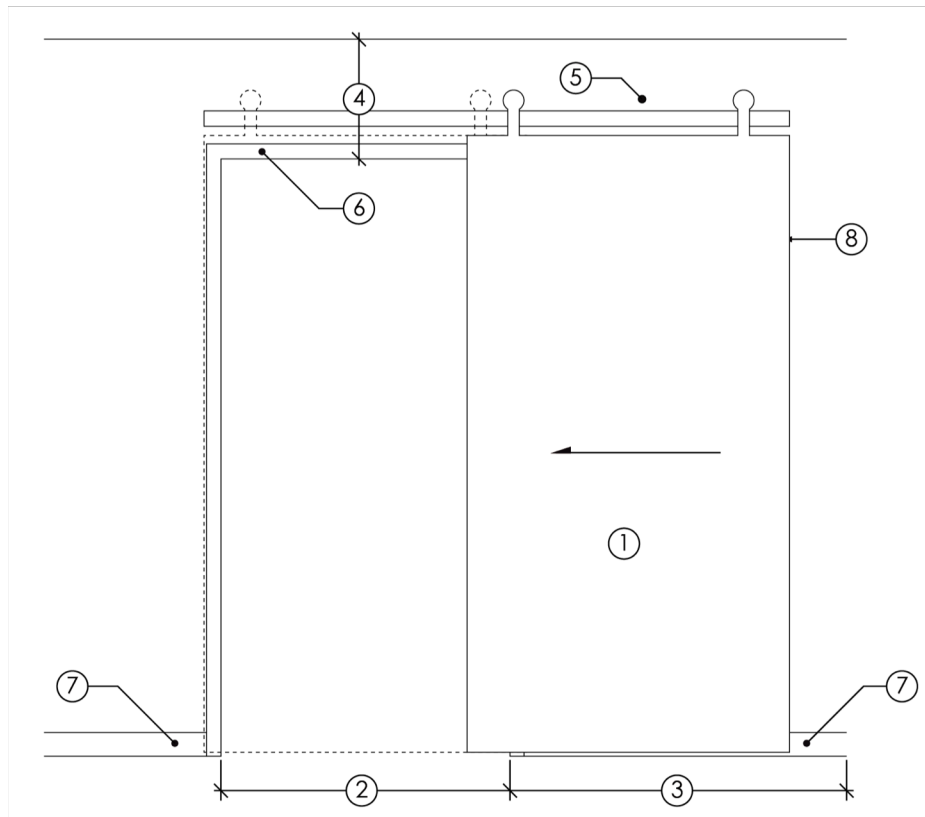


BARN DOOR PRODUCT CONFIGURATION GUIDE

SINGLE DOORS



1. Has the door panel been purchased? If so,
 - a.) What is the door weight?
 - b.) What is the door panel width?
 - c.) What is the door panel thickness?
 - d.) What is the door material?
2. What is the door opening width?
3. What is the width of the wall where the door(s) is positioned in the open position?
4. What is the height above the door opening?
5. What is the hardware mounted to? Framed wall, glass, steel, concrete?
6. Does the opening have door trim? If so, how thick is it?
7. Does the wall have base molding? If so, how thick is it (including base shoe if applicable)?
8. Are there any other protruding wall elements along the length of the installation?
9. Which hardware is preferred?
 - a.) Axel, Loki, Oden or Baldur system?
 - b.) Top Mount, Face Mount, or Glass Mount?
 - c.) Which finish?
10. Will you be using a door pull? If so,
 - a.) Single or double-sided?
 - b.) What is the make and model?
11. Is there a perpendicular wall or any other obstruction immediately adjacent to this door installation? If so,
 - a.) What type?
 - b.) Where is it located?