



# KROWN LAB

## BALDUR Product Guide

Iconic sliding door hardware crafted  
in Portland, Oregon.

# BALDUR

Bal·der | bôldər |

God of Norse mythology associated with light, and beauty.



KROWN LAB



# Gallery

**BALDUR Glass**  
Stainless Steel



KROWN LAB



Skylab Architectural Offices  
Portland, Oregon

# Gallery

**BALDUR Glass**  
Stainless Steel



KROWN LAB



Skylab Architectural Offices  
Portland, Oregon

# Gallery

**BALDUR Top Mount**  
Stainless Steel



KROWN LAB



Skybox: Andrén Residence  
Portland, Oregon

# Sliding Door Hardware

**BALDUR**  
Product Specifications



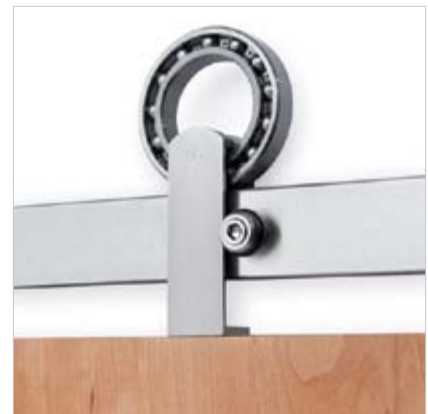
KROWN LAB



Shown with optional Track End Cap accessory (Sold separately).

**Revolutionary  
Hubless Icon**

## Product Overview



### An Icon Among Icons

Revolutionary iconic sliding door hardware system that will make anyone look twice. A patent pending construction on massive 4" exposed hubless bearings add to the impressiveness of this product. BALDUR makes a bold and powerful statement in any interior.

### Precision Manufacturing

BALDUR is made from high quality stainless steel and is manufactured using precision casting. All exterior surfaces have a precise and consistent machine finish, while the interior has the beautiful natural finish that only high quality castings can provide.

### Product Care

BALDUR is made from high quality stainless steel, and resists rust and corrosion even in humid or coastal environments. The product does not require any regular maintenance. To clean any time after installation, use a lint free cloth or sponge.\*

\*DO NOT use steel wool, or a Scotch Brite pad, as it can scratch the product. Bearings should occasionally be lubricated.



# Sliding Door Hardware

**BALDUR**  
Product Specifications



KROWN LAB

## Configurations



### BALDUR Top Mount

- For panels 1-3/8" to 3" thick.
- Holds up to 300-400 lbs.\*
- Stainless or Polished finish.
- \* Reference page A-1.7 for system specifics.



### BALDUR Face Mount

- For panels 3/4" to 1-3/4" thick.
- Holds up to 300-400 lbs.\*
- Stainless or Polished finish.
- \* Reference page A-1.8 for system specifics.



### BALDUR Glass

- For panels 3/8" to 3/4" thick.
- Holds up to 300-400 lbs.\*
- Stainless or Polished finish.
- Reference page A-1.11 for system specifics.

## Sizes



BALDUR 6 top mount shown

### BALDUR 6 Specifics

- Overall track length is 70". Spacing between attachment points is 30".
- Ideal for 36" wide panels with 32" wide door opening.\*

### BALDUR 8 Specifics

- Overall track length is 94". Spacing between attachment points is 42".
- Ideal for 48" wide panels with 44" wide door opening.\*

### BALDUR Custom Specifics

- The BALDUR track can be custom cut to fit your specific application.
- Bi-parting and by-passing configurations are available.
- Contact a sales representative for specific information.

\* We recommend that panels are at least 2"-4" wider than the door opening.

# Sliding Door Hardware

**BALDUR**  
Product Specifications



KROWN LAB

## Adjustability



### Top Mount

Our original design allows for lateral fine-tuning of the panel at the trolley attachment point. This flexibility enables adjustment of the panel further from or closer to the wall.



### Face Mount & Glass Mount

Our unique design allows for easy vertical fine-tuning of the panel at the trolley attachment points after the system has been installed. This flexibility enables panel leveling and alignment adjustments. Reference our Installation Instructions for further details regarding panel adjustability.

## Bottom Guide Options



### Bottom Guide Post

The Bottom Guide Post is included with all systems and requires a routed channel in the bottom of the panel. The Bottom Guide Post prevents the panel from swinging away from the wall, and from rubbing against the wall or baseboard.



### Bottom Guide Track

The Bottom Guide Track is sold separately. The linear brushed stainless steel track attaches to the bottom of the panel creating a channel for the Bottom Guide Post. Ideal for panels that don't easily allow a routed channel.



### Bottom Guide Glass

Bottom Guide Glass is included with all Glass Mount systems. This bottom guide will prevent the panel from swinging away from the wall as well as rubbing against the wall or baseboard.



# Sliding Door Hardware

## BALDUR Polished Product Specifications



KROWN LAB



Polished Track End Caps included.

**Exclusive  
Polished Finish**



For projects where that extra shine is desired, Krown Lab offers BALDUR Polished. Our top-shelf stainless steel hardware system, including track, trolleys, mounting hardware and end caps are all hand buffed by local craftsmen to a looking glass sheen. This exclusive finish, made custom to your order, provides a literal reflection of the exceptional taste of its surroundings, and of its occupants. BALDUR Polished; for those who require the extraordinary.

### Product Use & Care

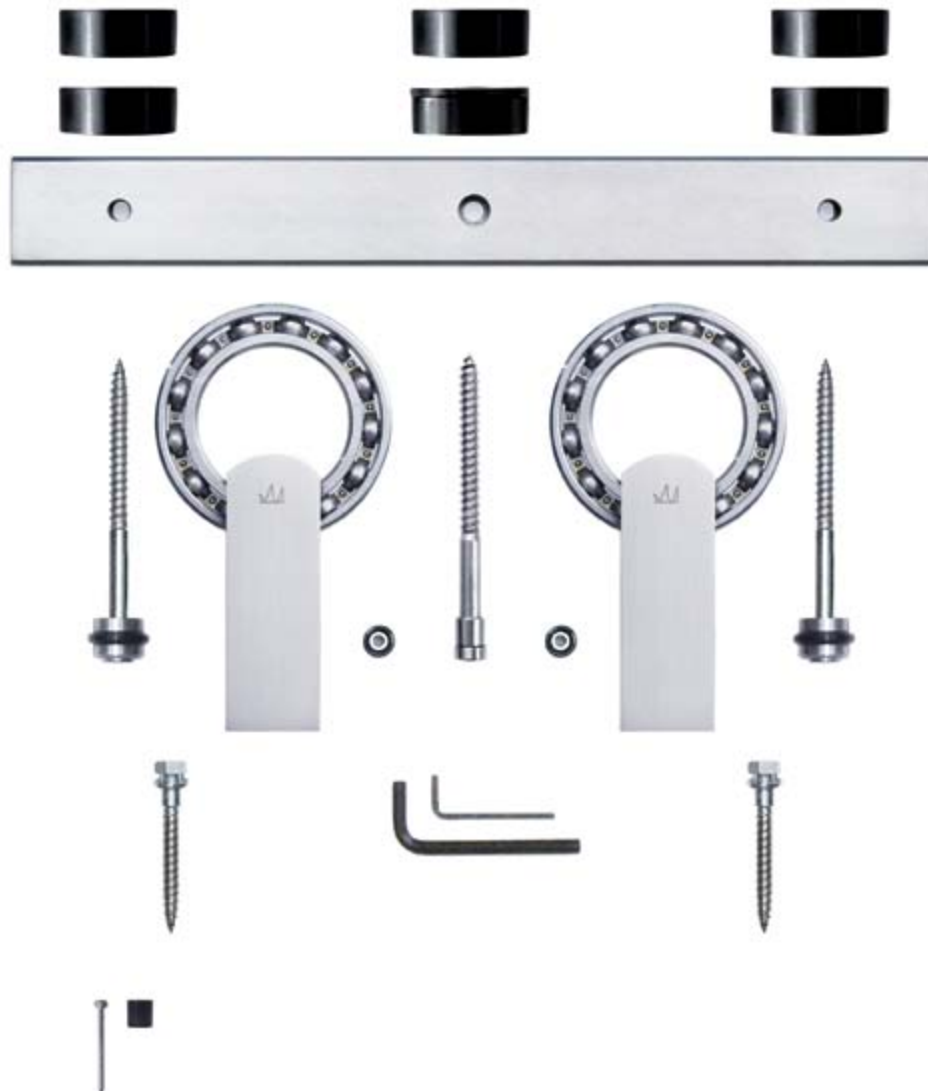
To clean the system at any time after installation, gently wipe down with a clean non-abrasive, micro-fiber cloth. Stainless steel cleaner (spray) or water can also be used to dampen cloth. Do not let any polished surface come into contact with abrasive materials as the finish can scratch.

# Sliding Door Hardware

## BALDUR Top Mount



KROWN LAB



### What's Included

- 1 Track (not shown to scale).
- 2 BALDUR Top Mount trolleys.
- Mounting hardware.
- 1 Bottom guide post.

# Sliding Door Hardware



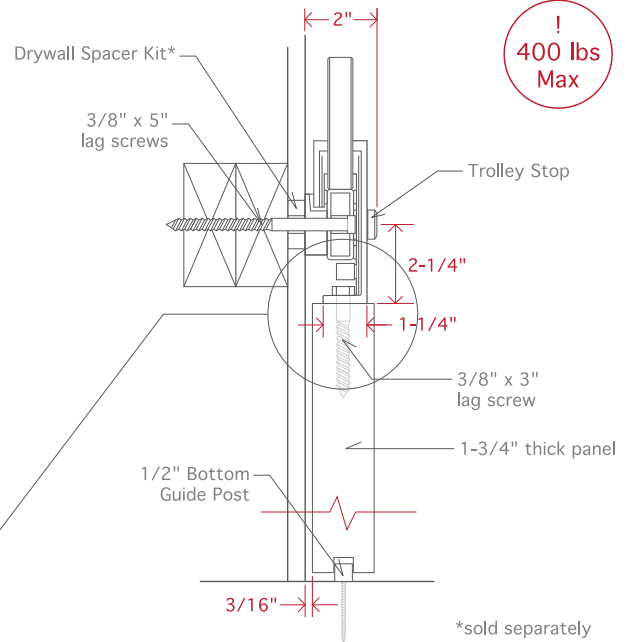
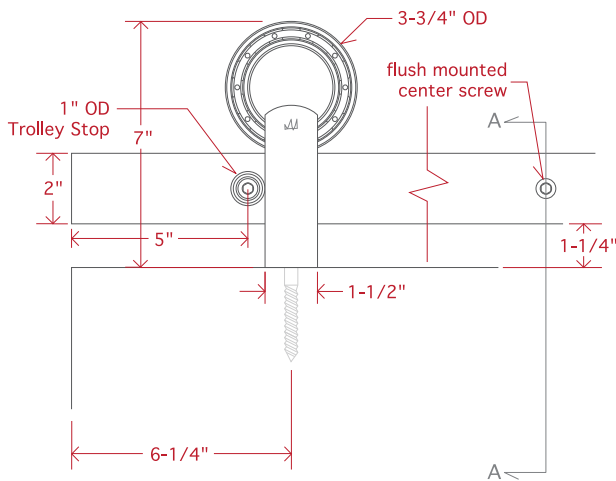
## BALDUR Top Mount Technical Drawings

KROWN LAB

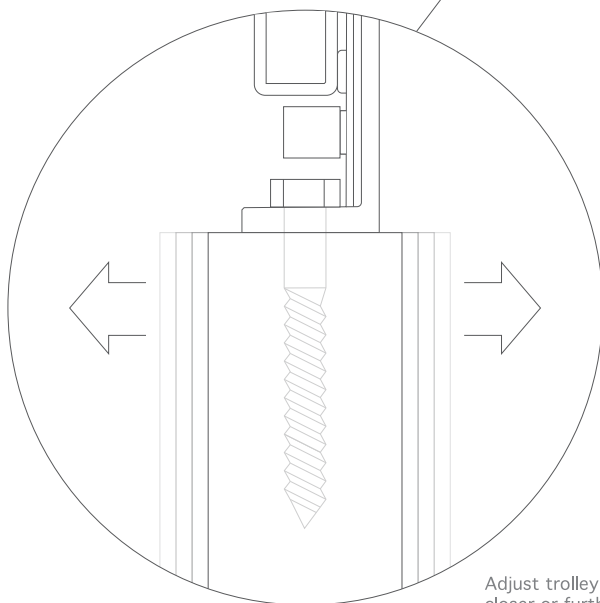
Compatible with panels 1-3/8" to 3" in thickness.

Shown here mounted through 1/2" drywall, into double 2x4 blocking between studs.

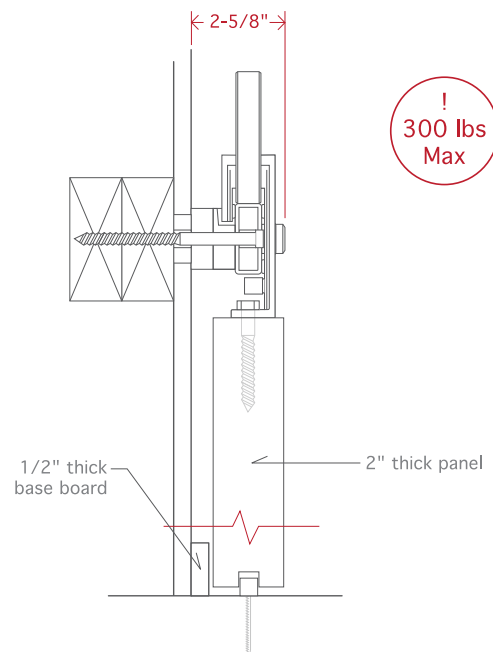
**Section AA with single Track Mount Spacer**  
Maximum panel weight is 400 lbs



**Section AA with double Track Mount Spacer**  
Maximum panel weight is 300 lbs



Adjust trolley to move panel closer or further away from the wall if desired

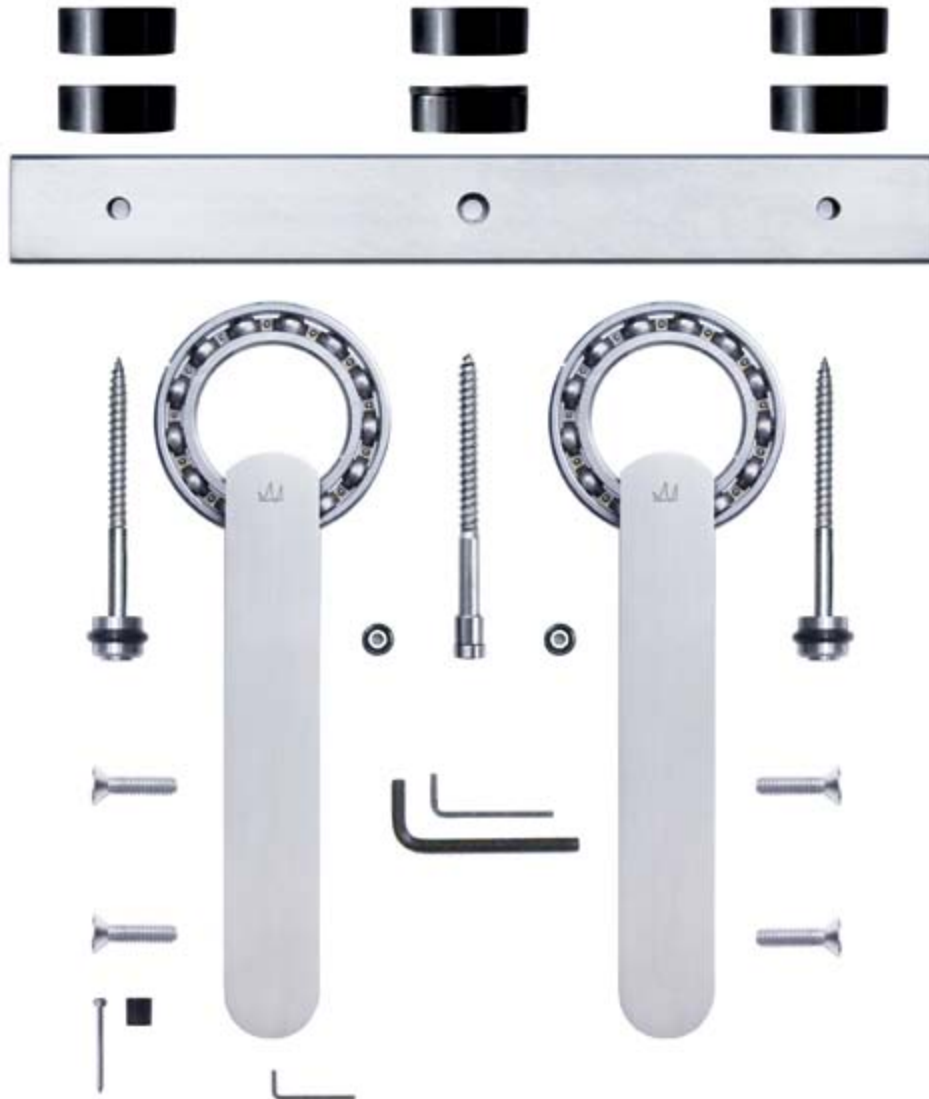


# Sliding Door Hardware

## BALDUR Face Mount



KROWN LAB



### What's Included

- 1 Track (not shown to scale).
- 2 BALDUR Face Mount trolleys.
- Mounting hardware.
- 1 Bottom Guide Post.

# Sliding Door Hardware

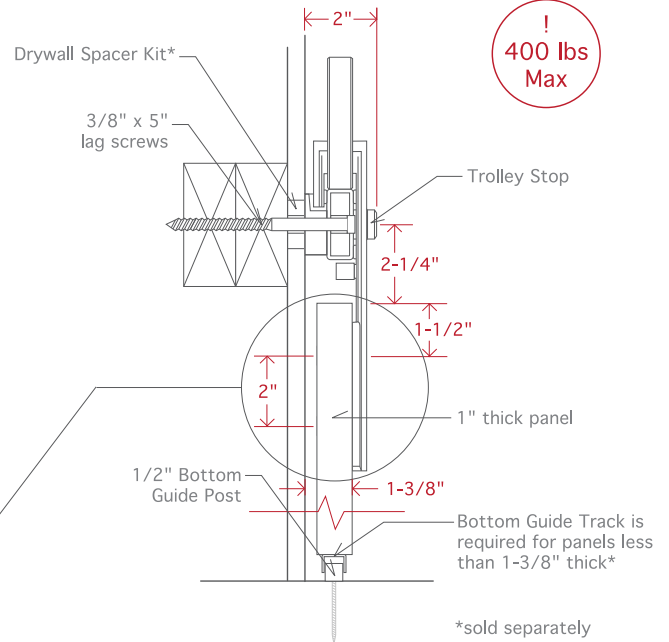
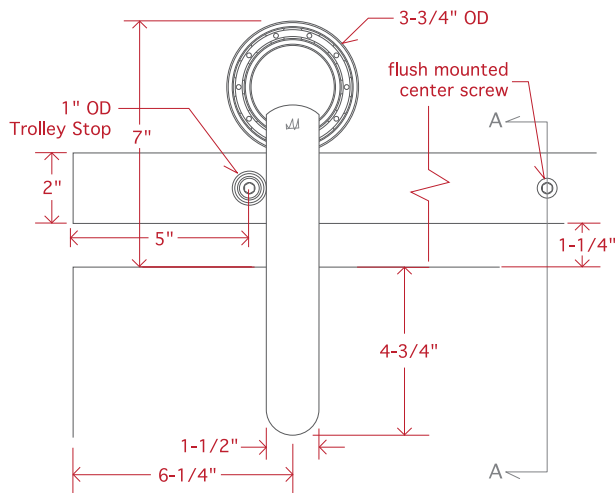


## BALDUR Face Mount Technical Drawings

KROWN LAB

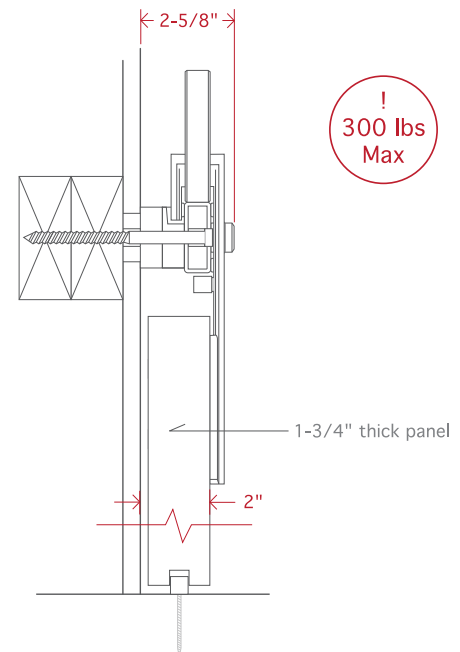
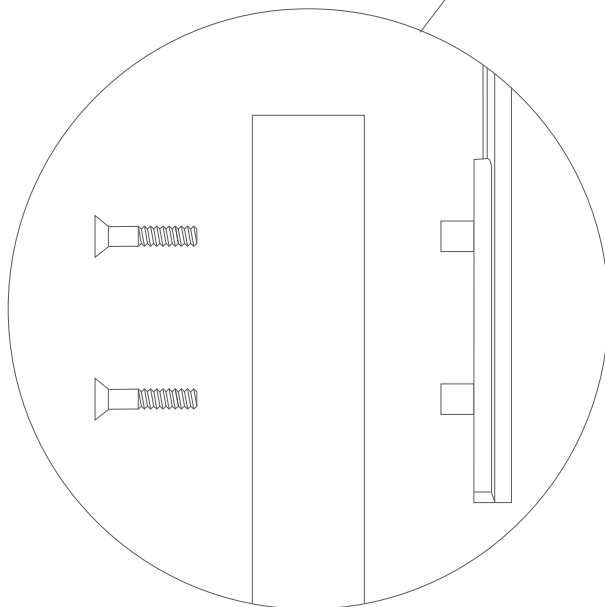
Compatible with door panels 3/4" to 1-3/4" in thickness without base moldings or base board.  
Shown here mounted through 1/2" drywall, into double 2x4 blocking between studs.

**Section AA with single Track Mount Spacer**  
Maximum panel weight is 400 lbs



**! 400 lbs Max**

**Section AA with double Track Mount Spacer**  
Maximum panel weight is 300 lbs



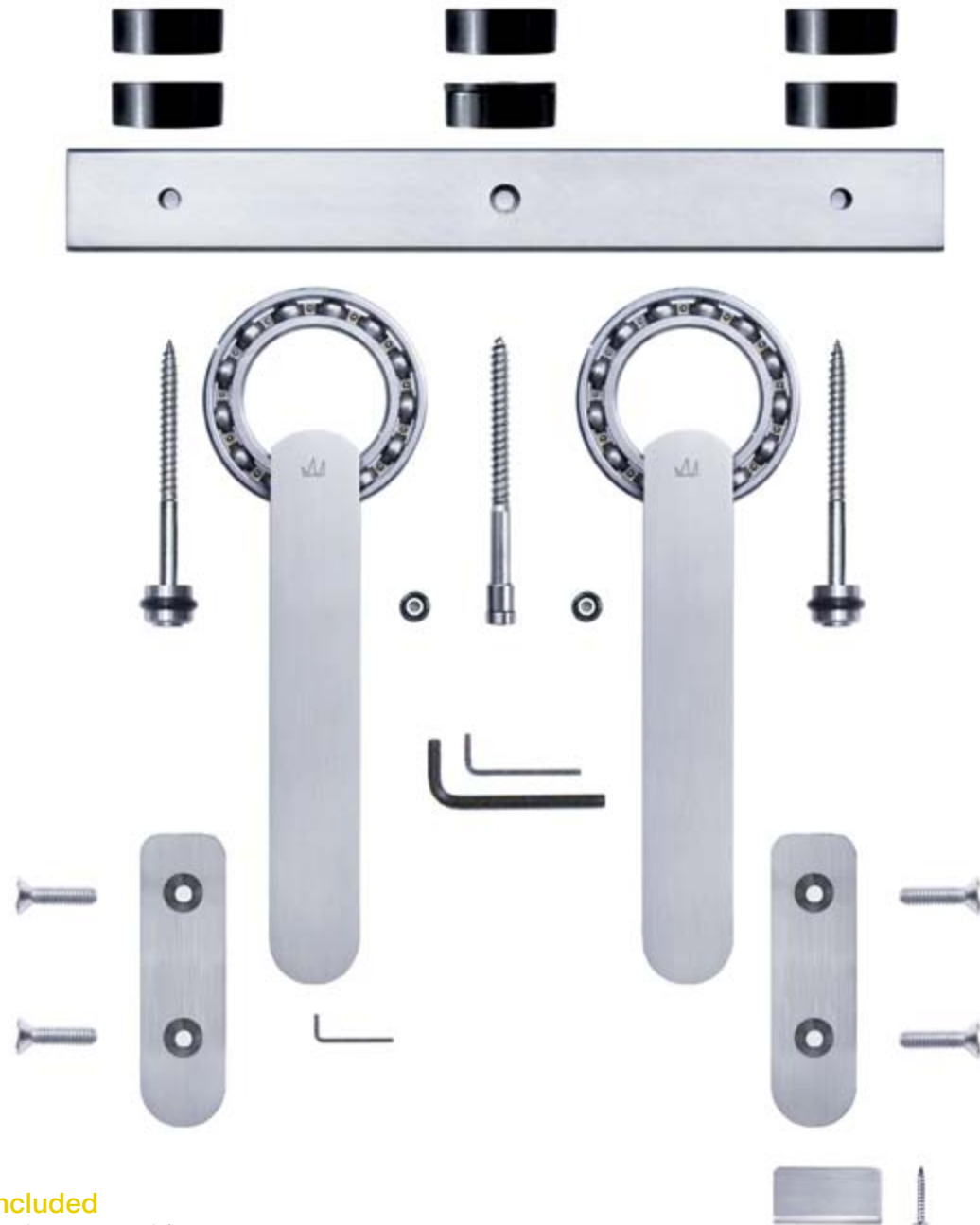
**! 300 lbs Max**

# Sliding Door Hardware

## BALDUR Glass Mount



KROWN LAB



### What's Included

- 1 Track (not shown to scale).
- 2 BALDUR Glass Mount trolleys.
- Mounting hardware.
- 1 Bottom Guide Glass.



# Sliding Door Hardware



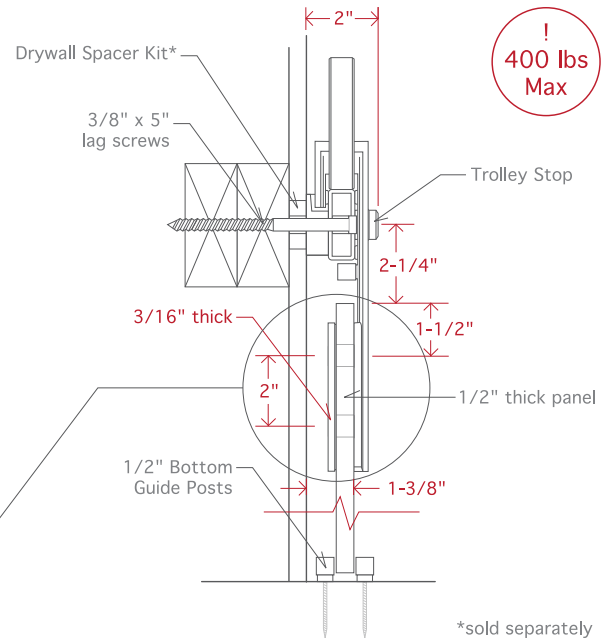
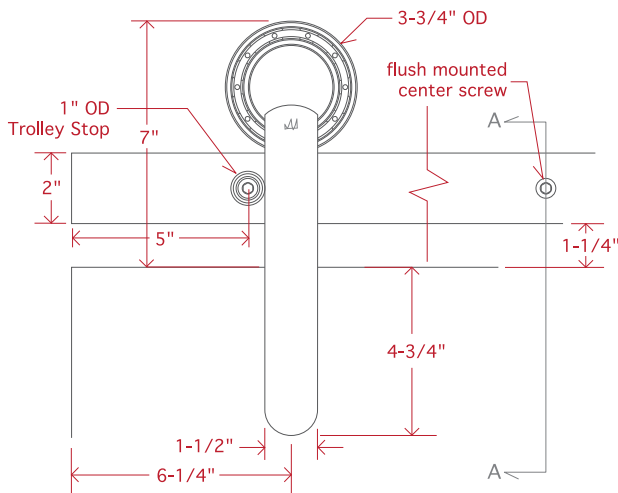
## BALDUR Glass Mount Technical Drawings

KROWN LAB

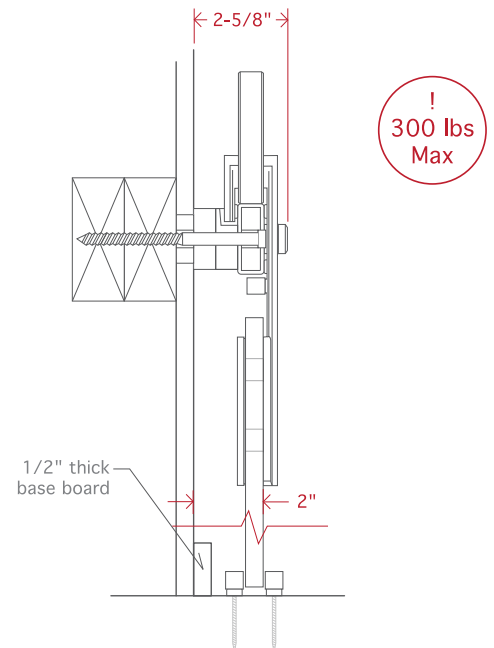
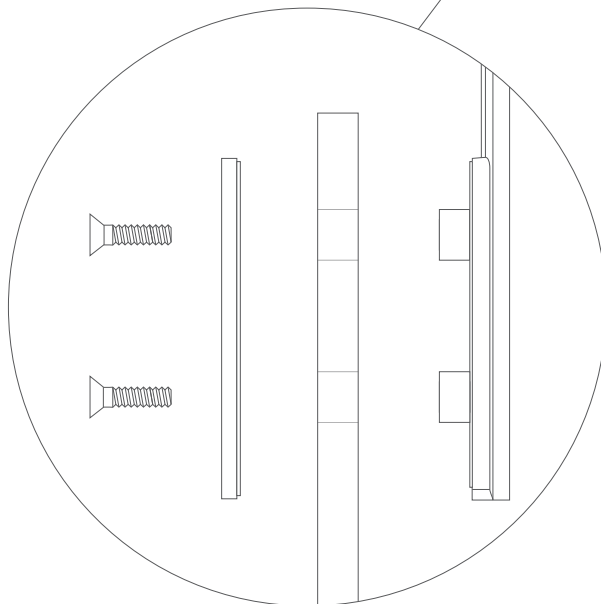
Compatible with door panels 3/8" to 3/4" in thickness.

Shown here mounted through 1/2" drywall, into double 2x4 blocking between studs.

**Section AA with single Track Mount Spacer**  
Maximum panel weight is 400 lbs



**Section AA with double Track Mount Spacer**  
Maximum panel weight is 300 lbs



# Panel Information



## By-passing panels System Overview

KROWN LAB



## By-Passing Specifics

Limited custom track configurations are possible in accordance with the below specifications.

- The standard conditions of use are for panels up to 50 lbs.
- For use on door openings with up to 8 ft. long track span.
- Available in both BALDUR and ODEN series.

## By-Passing Features

- Maximizes and allows greater flexibility in compact spaces.
- Works with a wide range of panel styles and materials.
- Enhances and adds value to spaces with a unique look and functionality.
- Compatible with most Krown Lab hardware accessories, please contact Krown Lab for further details.

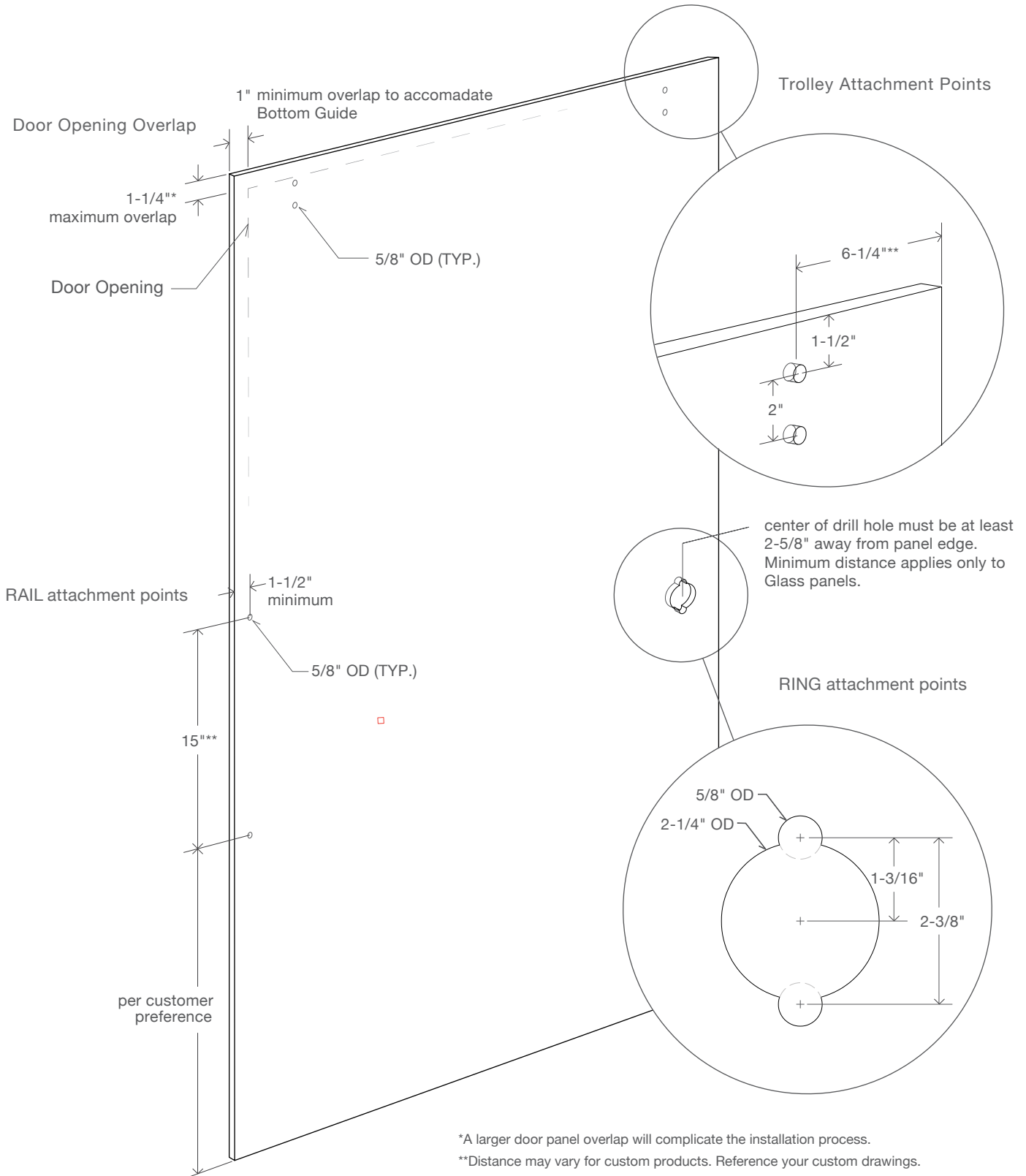
# Glass Panel Specifications



## Drill Hole Specifications

KROWN LAB

All Krown Lab hardware is compatible with glass panels 3/8" to 3/4" thick.



# Drill Hole Specifications



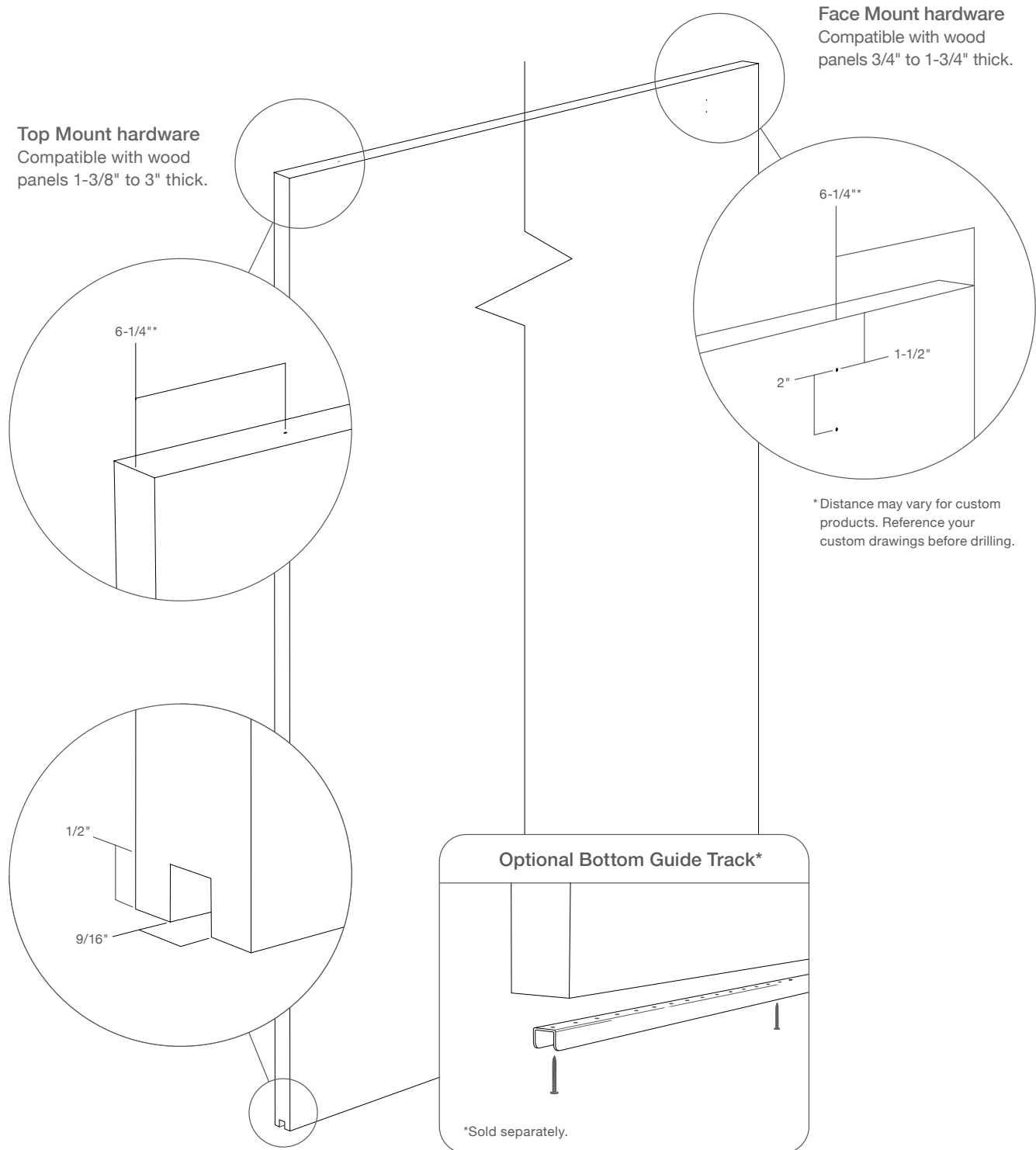
## Wood Panel

KROWN LAB

### Door Panel Considerations

When purchasing your door panel, make sure there is enough solid structural material at the top edge to fully engage the trolley mounting fasteners, and at the lower edge for bottom guide hardware or routed channel. Clearance between the top of the panel and ceiling must be sufficient to accommodate lifting your door panel with trolleys attached onto the track.

Reference the technical drawings for system dimensions.



## General Overview

---

All of our sliding door hardware requires that the provided track attachment points are properly engaged in 3" of structural material. The wall or structure that your system will be mounted to must be designed to support the weight specified for the system of your choice.

System	Weight Limit
BALDUR	300-400 lbs*
ODEN	300-400 lbs*
ROB ROY	150 lbs

\*See Product Specifications for each product.

- Krown Lab products may not work with your existing stud locations.
- Most installations will require that additional structural material be inserted into your wall.
- In new construction, ensure appropriate blocking is added in the correct locations during framing prior to drywall installation.
- In renovations, cut open the drywall in between studs to insert appropriate blocking in the correct locations.
- Height of blocking is driven by the overall height of the door panel.
- Track mounting point location is approximately 2-1/4" above the height of door panel.

## Installation

---

- All installation instructions are Krown Lab's recommendations only. Systems should only be installed considering locally prevailing building code and standards, and be done by qualified building professionals (experienced, competent tradesmen) with a comprehensive understanding of relevant material properties, and full building and site conditions.
- Krown Lab is not responsible for the inferior or incorrect installation performed by others.
- Krown Lab takes no responsibility of installation or performance of door panel, or any other component used in conjunction with our products.
- Krown Lab is not responsible for site conditions, including uneven floors or levels, walls out of square or plumb, for variations of size, design or shape of existing or new drywall (or any other material) openings, or for any other site-specific conditions.
- Krown Lab is not responsible for any violations of building, electric, plumbing, zoning or other municipal or government codes, ordinances or regulations presently existing in the building(s) into which its Systems are to be installed and used.
- Check with your contractor and / or local listings to confirm you are in accordance with local building codes.
- Under no circumstances will Krown Lab be responsible for decisions by trades people or any one else involved in product installation.

## Hardware

---

- The hardware and fasteners included are to be used only in sound, solid blocking and substrate materials as determined by qualified building professionals.
- The substitution of hardware chosen by the buyer instead of the provided hardware voids the product warranty.

# Terms & Conditions



KROWN LAB

## Buyer's Acceptance of Terms and Conditions

These terms and conditions of sale apply to every contract of Krown Lab Inc. (Krown Lab) for the sale of goods or articles (Products) to any person or entity (Buyer) who sends or otherwise requests Krown Lab or its agent an order to purchase Products from Krown Lab. By placing any order for Products, the Buyer agrees to these Terms and Conditions of Sale. Any other terms or conditions which may at any time be indicated in the Buyer's order form or otherwise, shall be null and void and of no effect, even if not expressly objected to by Krown Lab.

## Buyer's Compliance

Buyer is solely responsible for compliance with all applicable federal, state and local laws, ordinances, regulations, rules and standards relating to the installation, maintenance, use and operation of any Product.

## Changes and Cancellations

Krown Lab is not obligated to accept any changes or cancellations once the Product has begun being created. Buyer is obligated to accept any Product that has been ordered.

## Risk of Loss

The risk of loss for any Product shall pass to the Buyer upon delivery to carrier from Krown Lab premises. Buyer bears the risk of damage during shipment.

## Delays

Krown Lab shall not be responsible for delay, non delivery or default in shipment if occasioned by strike, act of Thor, or event beyond the control of Krown Lab.

## Product Pick-Up and Acceptance

It is the Buyer's responsibility to coordinate acceptance or pick-up of Product upon attempted delivery. Any costs or expenses incurred by Krown Lab as a result of the Buyer's failure to pick-up/accept the Products will be charged to the Buyer.

## Design Ownership

The designs are and will remain the property of Krown Lab. Not under any circumstances does the Buyer have the right to duplicate the Products for any purpose.

## Commercial Warranty

Krown Lab warrants the products against defects in workmanship for 10 years after shipment provided that the Product is used under the conditions for which it was designed, and is used for its intended purpose. Normal wear and tear of the Products are excluded from the warranty. Warranty does not cover damages resulting from accidents, misuse, fire, flood, or acts of nature.

## Installation

All installation instructions are Krown Lab's recommendations only. Products should only be installed considering locally prevailing building codes and standards, and be done by qualified building professionals [experienced, competent tradesmen] with a comprehensive understanding of relevant material properties, and full building and site conditions. Krown Lab is not responsible for the inferior or incorrect installation performed by others. Krown Lab takes no responsibility of installation or performance of the door panel, or any other component used in conjunction with the track system. Krown Lab is not responsible for site conditions, including uneven floors or levels, walls out of square or plumb, for variations of size, design or shape of existing or new drywall (or any other material) openings, or by any other site-specific situation. Krown Lab is not responsible for any violations of building, electric, plumbing, zoning or other municipal or government codes, ordinances or regulations presently existing in the building(s) into which its Products are to be installed and used.

## Hardware

The basic hardware and fasteners included are only to be used only in sound, solid blocking and substrate materials as determined by qualified building professional. Under no circumstances will Krown Lab be responsible for decisions by trades people or any one else involved in product installation.

KROWN LAB MAKES NO OTHER WARRANTY OF MERCHANTABILITY OF PRODUCTS OR OF THEIR FITNESS OR ANY PURPOSE OR ANY OTHER EXPRESS OR IMPLIED WARRANTY. PRODUCTS WHICH DO NOT CONFORM TO THE DESCRIPTION, SHORT IN ANY RESPECT OR WHICH ARE DEFECTIVE IN MATERIAL OR WORKMANSHIP WILL BE REPLACED, REPAIRED OR, AT KROWN LAB'S OPTION, CREDIT FOR THEIR ORIGINAL PURCHASE PRICE WILL BE ALLOWED PROVIDED KROWN LAB IS NOTIFIED OF SUCH DEFECT WITHIN SEVEN (7) DAY AFTER DELIVERY AND BUYER RETURNS SUCH PRODUCTS IN ACCORDANCE WITH KROWN LAB'S INSTRUCTIONS. THE FOREGOING CONSTITUTES BUYER'S SOLE REMEDY AND KROWN LAB'S SOLE OBLIGATION WITH RESPECT TO PRODUCTS FURNISHED HEREUNDER. BUYER HEREBY AGREES TO WAIVE ANY AND ALL RIGHTS OR CLAIMS AGAINST KROWN LAB BY LAW OR EQUITY. KROWN LAB SHALL NOT BE LIABLE FOR DIRECT, INDIRECT, INCIDENTAL, SPECIAL OR CONSEQUENTIAL DAMAGES, UNDER ANY CIRCUMSTANCES, INCLUDING BUT NOT LIMITED TO DAMAGE OR LOSS RESULTING FROM INABILITY TO USE THE PRODUCTS, INCREASED OPERATING COSTS OR LOSS OF PRODUCTION, OR ANY OTHER DAMAGES, WHETHER ARISING FROM CAUSES SIMILAR OR DISSIMILAR TO THOSE ENUMERATED IS NOT WARRANTED BY KROWN LAB.