



IVAR

FACE MOUNT

Combine exceptional value with compact design and long-lasting performance. Featuring the Tru-Level track system, obsessively designed for fast and accurate installation. Made in the USA from high-grade billet aluminum.

FEATURES

- Fast and easy installs with the Tru-Level™ system, providing a 1/4" vertical and lateral adjustment at all track mounting points.
- Easily set and readjust door travel on site, even after install.
- High precision bearings provide silent and smooth door travel.
- Low profile allows for a wide range of applications.
- Accommodates wood, metal-clad, and composite doors.
- ADA compatible door pull force at full panel weight.
- Designed in Portland, OR. Proudly Made In The USA.
- 10-year commercial warranty.

SPECIFICATIONS

- Single track lengths available up to 12' (142").
- Easily drill and modify track length on site with common tools.
- Multiple tracks can easily be joined together in the field.
- Track anchors available for a range of wall conditions.
- Accommodates Single door configuration layouts. Choose Loki, Oden, or Baldur for Bi-part and Bypass configurations.

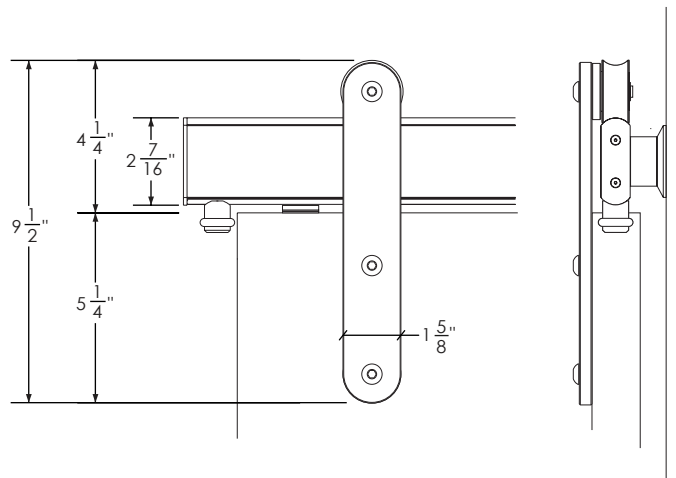
WHAT'S INCLUDED

- 1 x track system with all necessary mounting hardware.
- 2 x door stops.
- 2 x trolleys with all necessary door mounting hardware.
- 1 x door bottom guide.

Visit our website for all compatible options and add-ons.

DETAILS

- Door panel thickness range: 1-3/8" to 1-3/4" with or without typical door trim.
- Standard 200 lb door weight capacity. Choose Baldur or Oden for heavier door panels, or contact us.



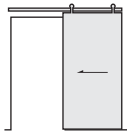
QUICK LOOK

FINISH OPTIONS



Brushed Stainless Black Stainless

CONFIGURATIONS



Single

WEIGHT CAPACITY

200 lb. Contact us for heavier door panels.

DOOR PANEL COMPATIBILITY

Wood, metal-clad, and composite door panels.

MORE INFORMATION

For more information visit: www.krownlab.com/ivar

ORDERING AND PRICING

For inquiries or to place orders, please contact: support@krownlab.com, or call +1 503 292 6998. Trade discounts and volume pricing available.