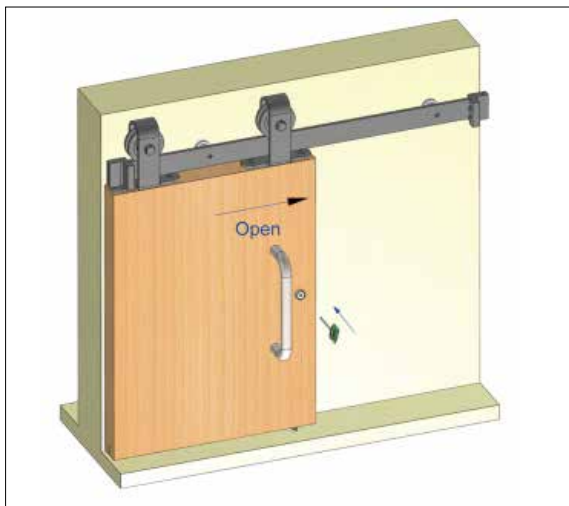
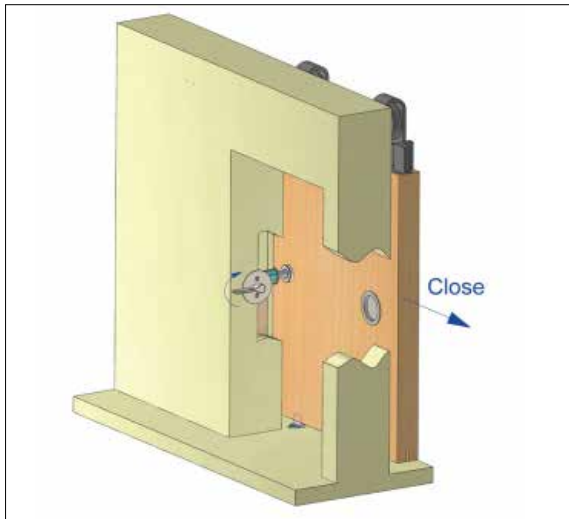
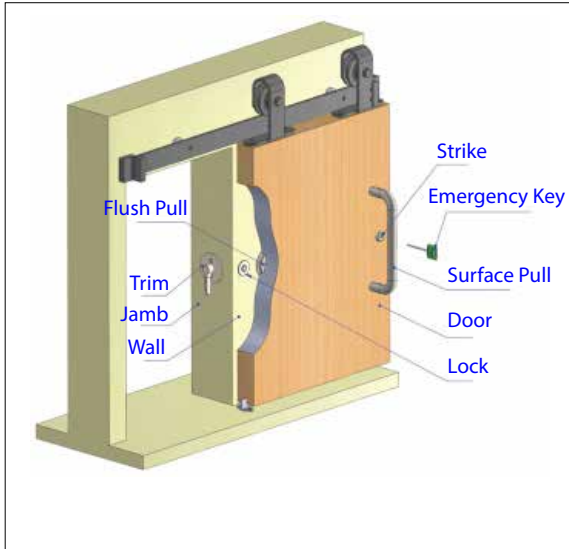


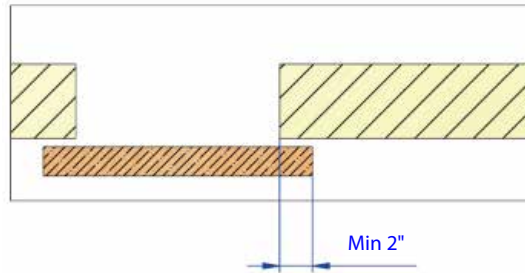
## BD4000 Privacy Lock for Sliding Barn Door



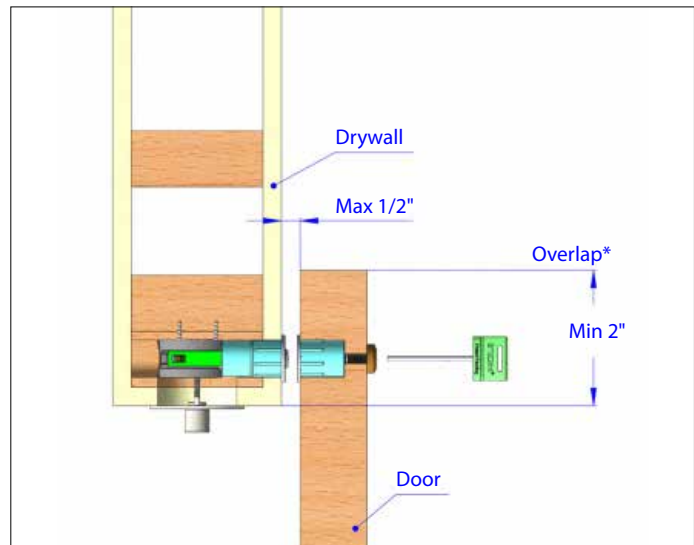
### Application

- A simple and elegant privacy lock for barn door openings for either residential or commercial applications, without having to build out extra frames.
- Tubular drive-in bolt installed inside the jamb.
- Dust-proof strike installed in the door on trailing side
- Discrete release button with decorative cap installed on outside of the door for emergency release.
- A variety of trim escutcheons with t-turn installed on jamb side allow locking and unlocking of the bolt from inside.
- ADA turn-turn available for commercial and hospitality applications.
- 2 backsets available

### Overlap



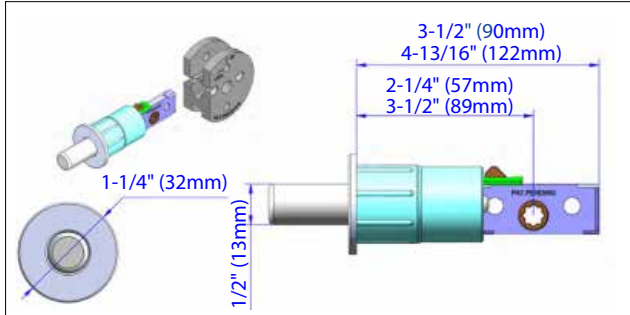
Door Overlap is the distance between the edge of the door to the edge of the wall. Measure the DOOR OVERLAP on the Backside when door when fully closed.



\* Standard door opening walls have 2 wood studs behind drywall or trim casing. This limits the lock and strike prep and installation points.

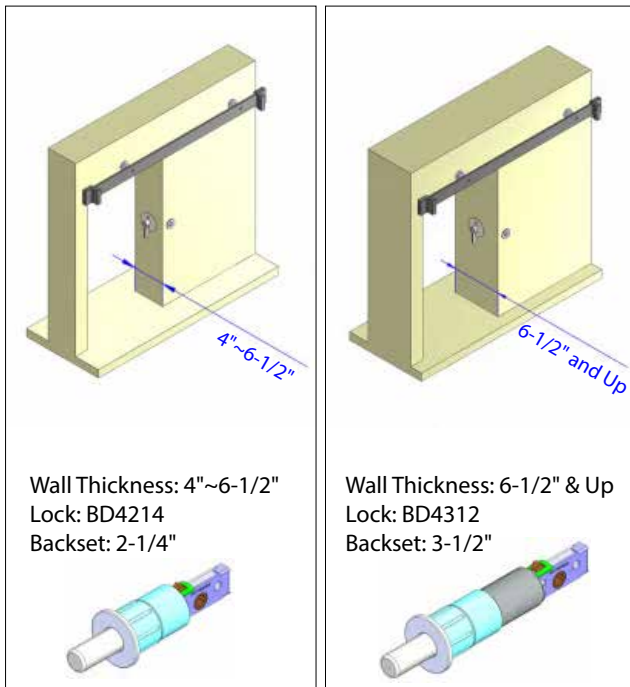
# BD4000 Privacy Lock for Sliding Barn Door

## Lock



- BD4000 Lock Bolt is mortised into the jamb stud
- Backset available in 2-1/4" (57mm) and 3-1/2" (89mm)
- Drive in Bolt Casing diameter: 1" (25mm)
- Lock bolt: 1/2" (13mm) dia. Stainless Steel.
- Strike mounted in barn door for standard door thickness: 3/8" (35mm) to 1-3/4" (45mm)  
Thick Door Kits Available
- Handing: Non-Handed
- Spindle Hub: 5x5mm square

## Wall Thickness



Wall Thickness: 4"~6-1/2"  
Lock: BD4214  
Backset: 2-1/4"

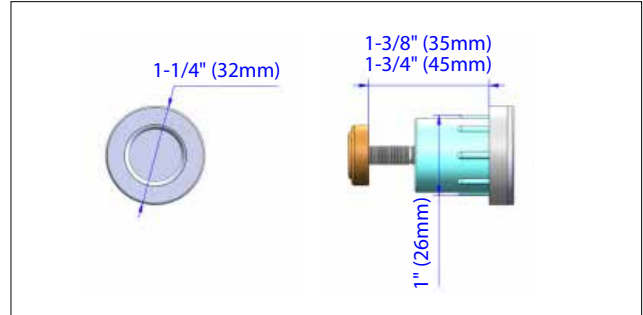
Wall Thickness: 6-1/2" & Up  
Lock: BD4312  
Backset: 3-1/2"

## Finishes

Satin Stainless (US32D)  
Bright Stainless (US32)  
Oil Rubbed Bronze (10B)

Ceramic Graphite Black (C19G)  
Ceramic Flat Black (C19)  
Ceramic White (CWH)

## Adjustable Dust Proof Strike



- 1-1/4"(32mm) dia. spring-loaded dust proof strike provide ample space to receive 1/2"(13mm) bolt, allow easy locking by end user



- Minimum aesthetic impact on door surface.

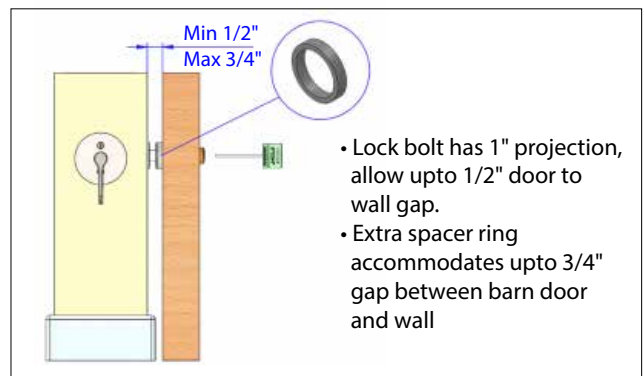


- Strike can be adjusted to fit barn door thickness from 3/8"(35mm) to 1-3/4"(45mm).
- Thick door kits available on request.



- 1/8"(3mm) dia. release button allow bolt to be unlocked from outside under emergency situation.

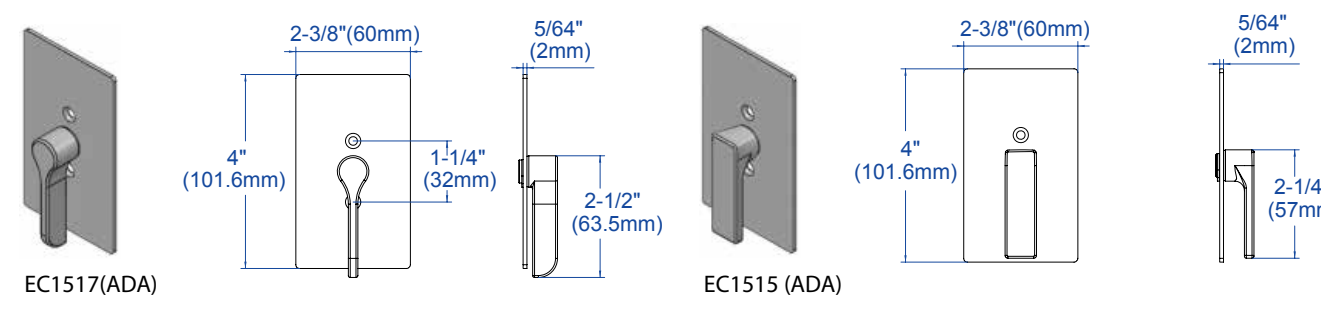
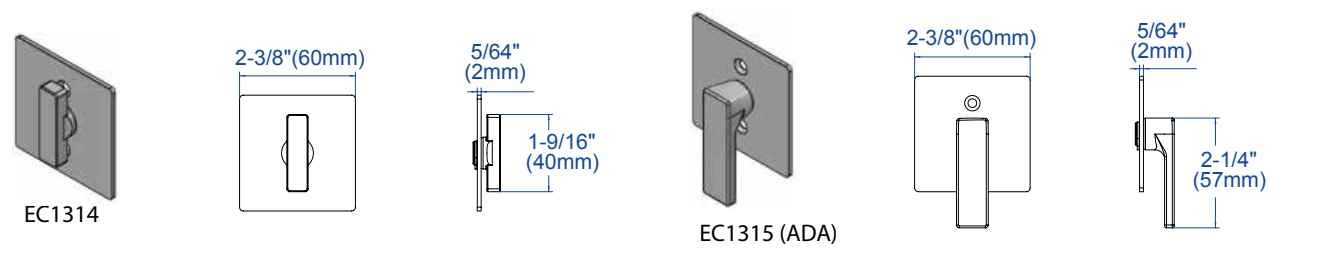
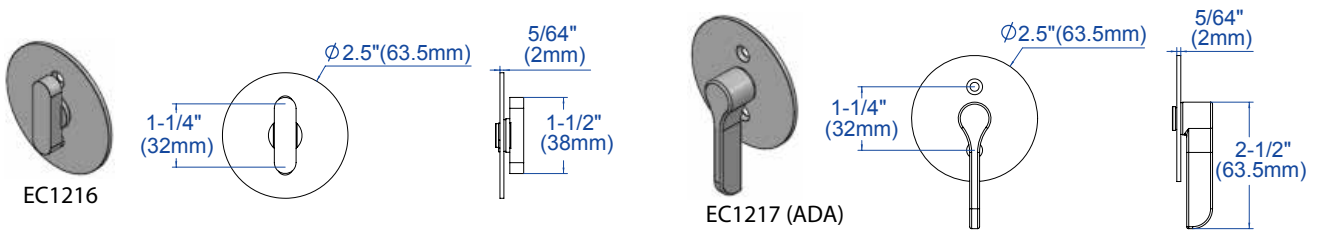
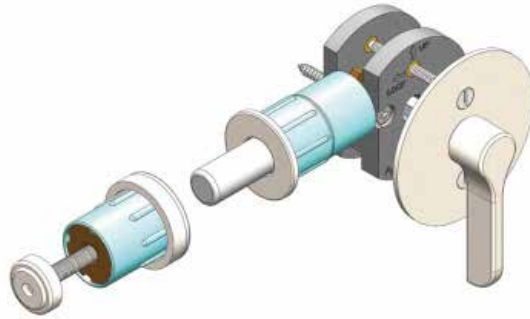
## Spacer Ring



- Lock bolt has 1" projection, allow upto 1/2" door to wall gap.
- Extra spacer ring accommodates upto 3/4" gap between barn door and wall

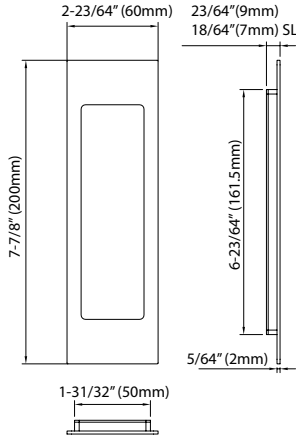
# BD4000 Privacy Lock for Sliding Barn Door

## Escutcheon & Thumb-turns

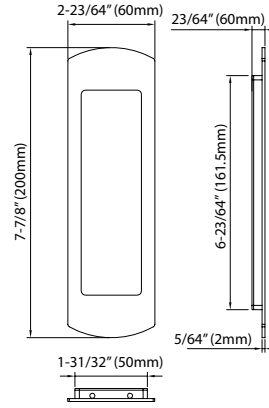


# BD4000 Privacy Lock for Sliding Barn Door

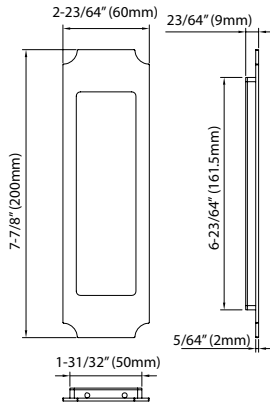
## Flush Pull Options for Barn Door



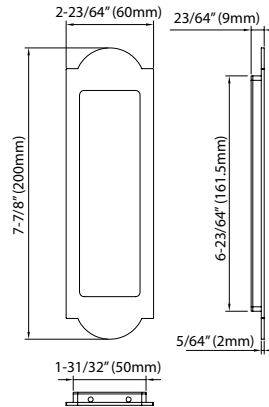
**FH2700**  
Flush Pull Only



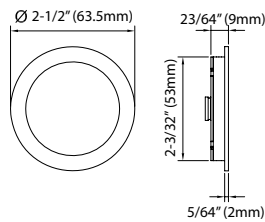
**FH2900**  
Flush Pull Only



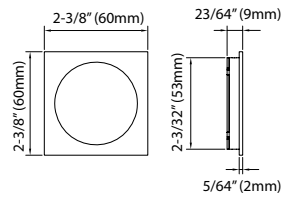
**FH3200**  
Flush Pull Only



**FH3100**  
Flush Pull Only



**FH2200**  
Flush Pull Only

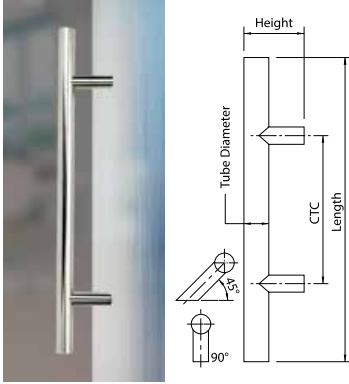


**FH2300**  
Flush Pull Only

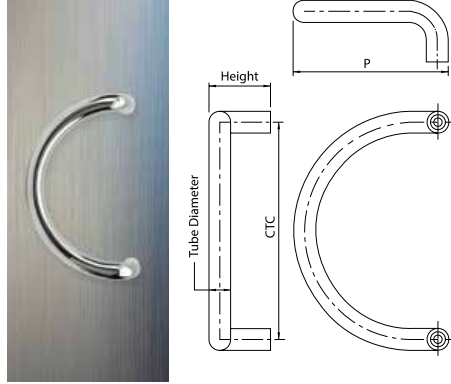
# BD4000 Privacy Lock for Sliding Barn Door

## Surface Pull Options for Barn Door

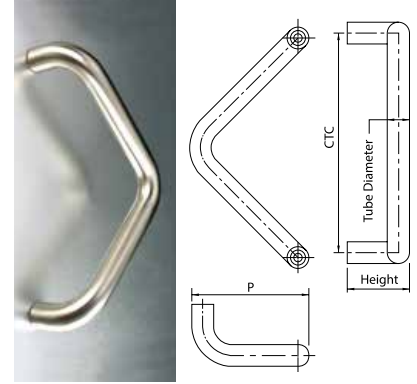
**T-Shape Pull**



**C-Shape Pull**

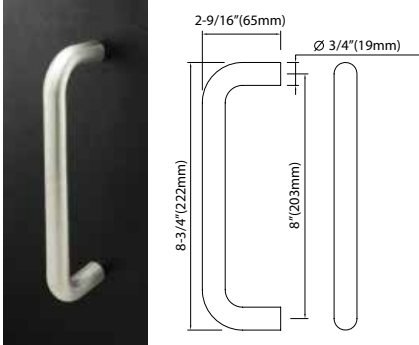


**V-Shape Pull**

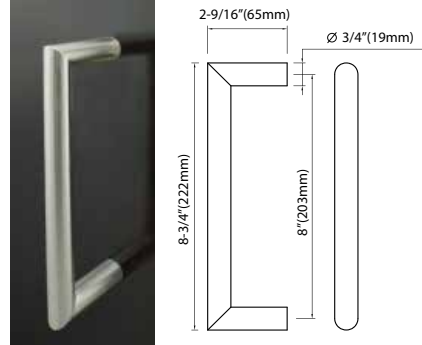


## ADA Pull

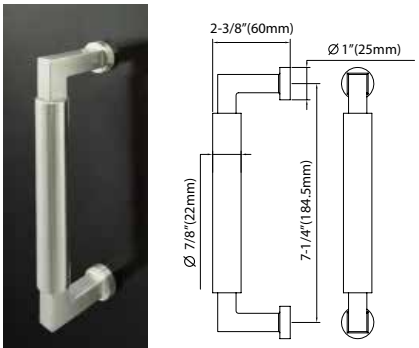
**PHIX31108**



**PHIX30108**



**PHIX41714**



**PHIX45714**

