

WALL TYPE GUIDE

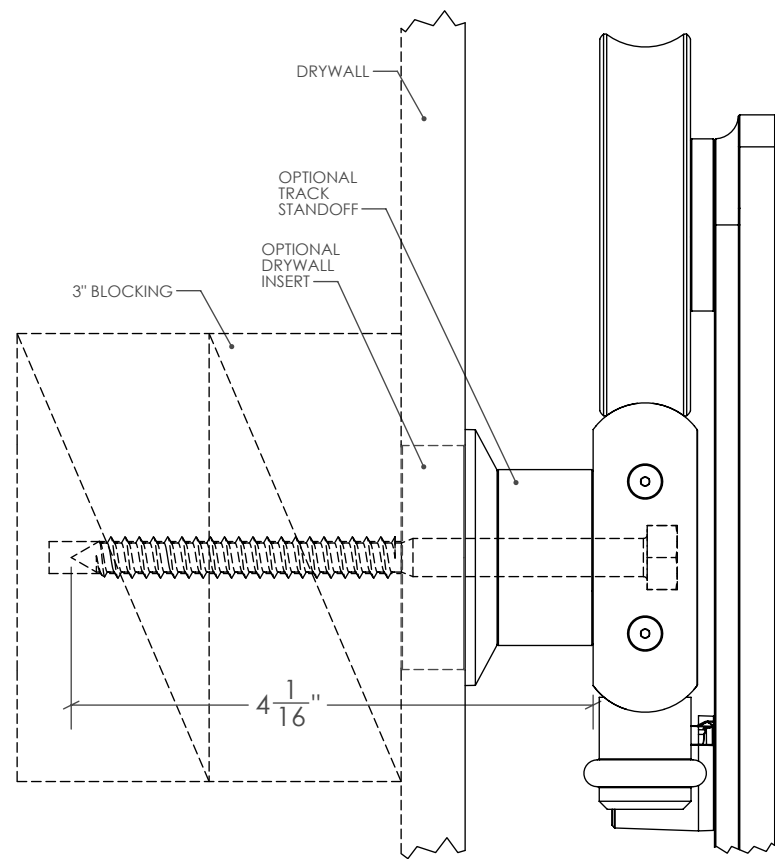
PRODUCT NAME: RAGNAR

DRAWING SCALE: 8" = 1' (2:3)

PAGE: 1/1

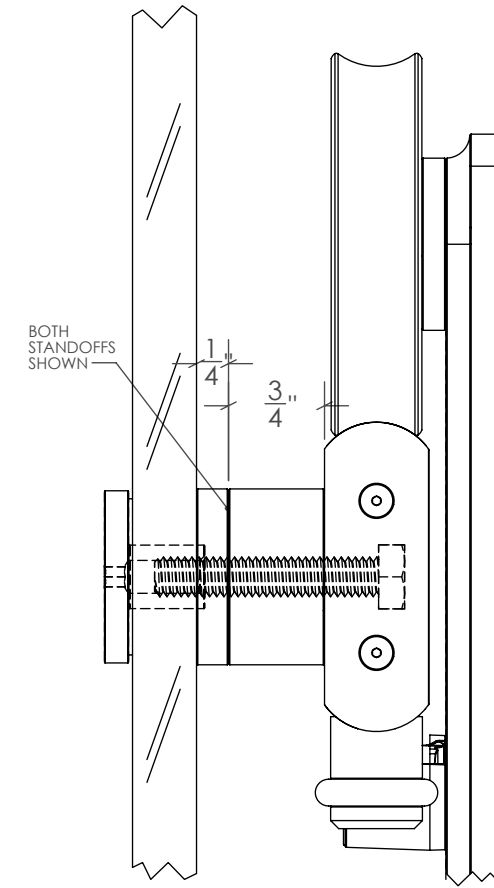
DATE: 12/9/2015

Krownlab Inc.  
2351 NW York St.  
Portland, OR 97210  
503-292-6998  
www.krownlab.com  
sales@krownlab.com



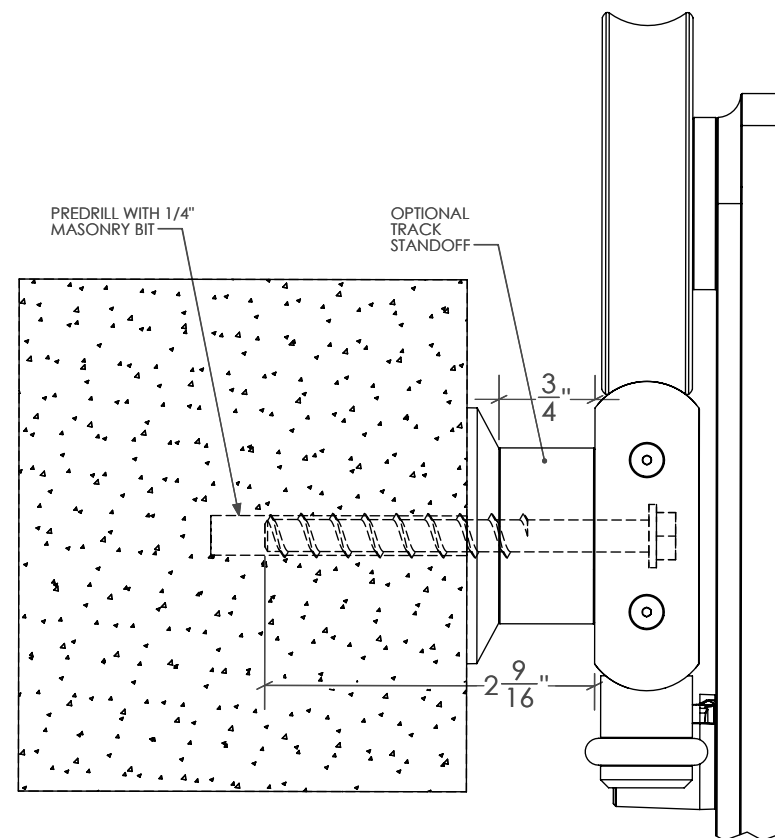
**Framed Wall**

Wood or metal stud framed walls must have 3" of solid wood blocking secured to studs or other framing members. Framed wall kits include 5/16" x 4-1/2" lag bolts.



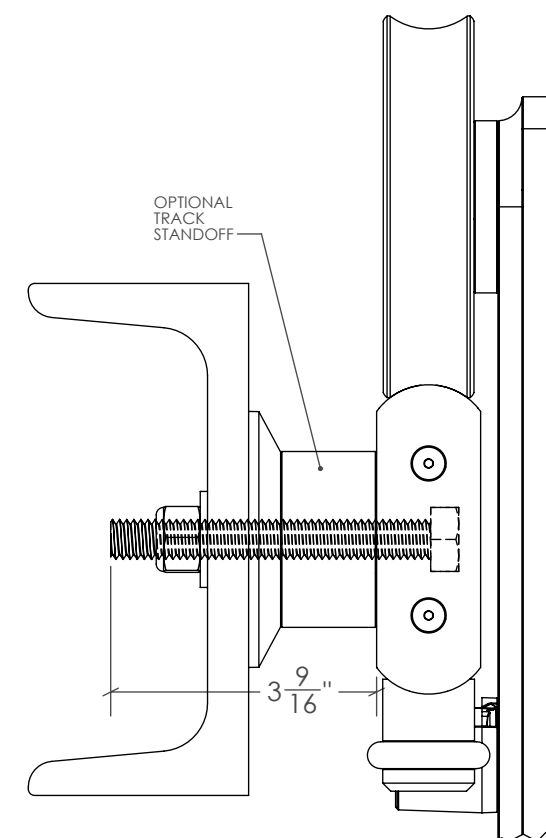
**Glass Wall**

5/16"-18 hardware compatible with 3/8" and 1/2" glass walls included. Custom hardware for thicker walls available by special request. Bypassing hardware systems are not available for glass wall installations.



**Concrete Wall**

Concrete and masonry walls must be solid and thicker than the minimum required thread engagement of 1-1/2". Concrete kits include 5/16" x 3" screw-in anchors.



**Steel Beam**

Steel beams must be structural in nature and have a minimum wall thickness of 1/2". Note that you cannot attach this hardware to sheet metal studs. Steel kits include 5/16"-18 x 4" bolts.