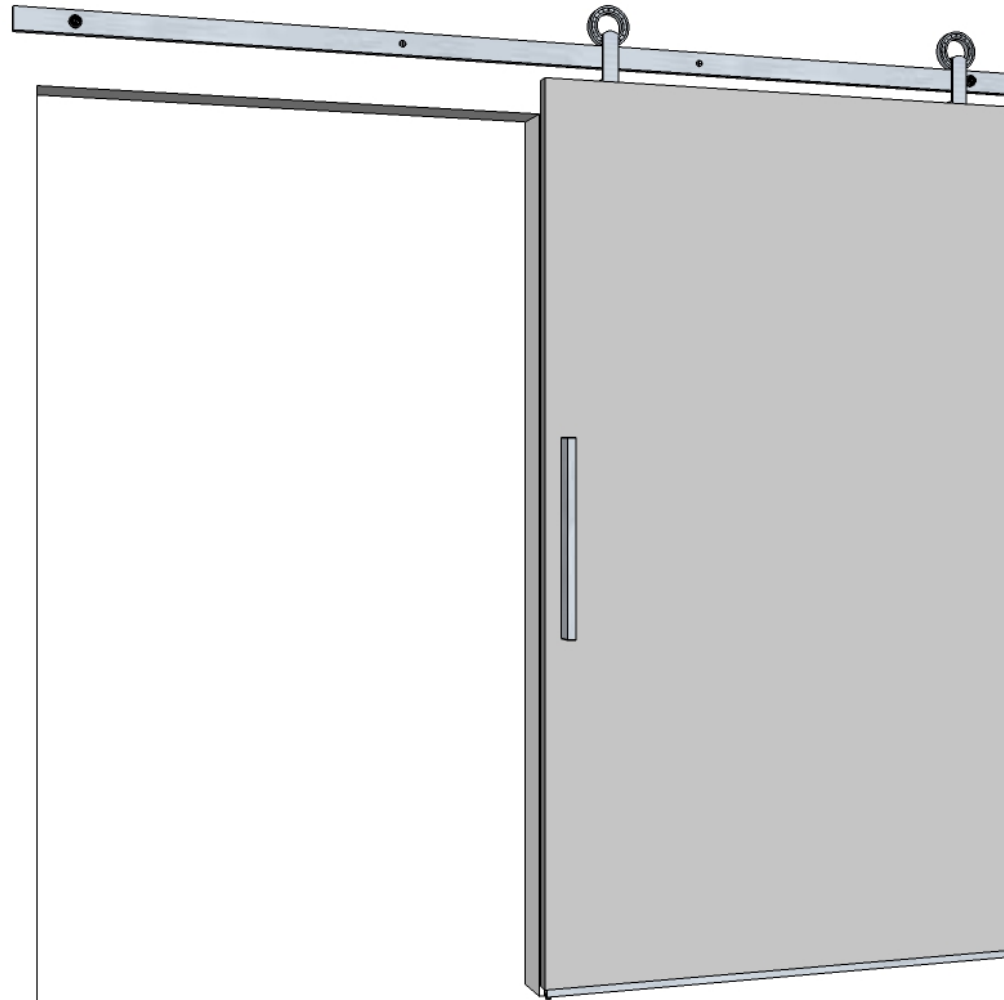


BALDUR series drawing with 94" Track Configuration
Some Company, Inc. (perspective)

 **KROWNLAB**



Sales Order #: XXXX
P.O. #: XXXX

Date: XX.XX.XXXX

Drawn by: william

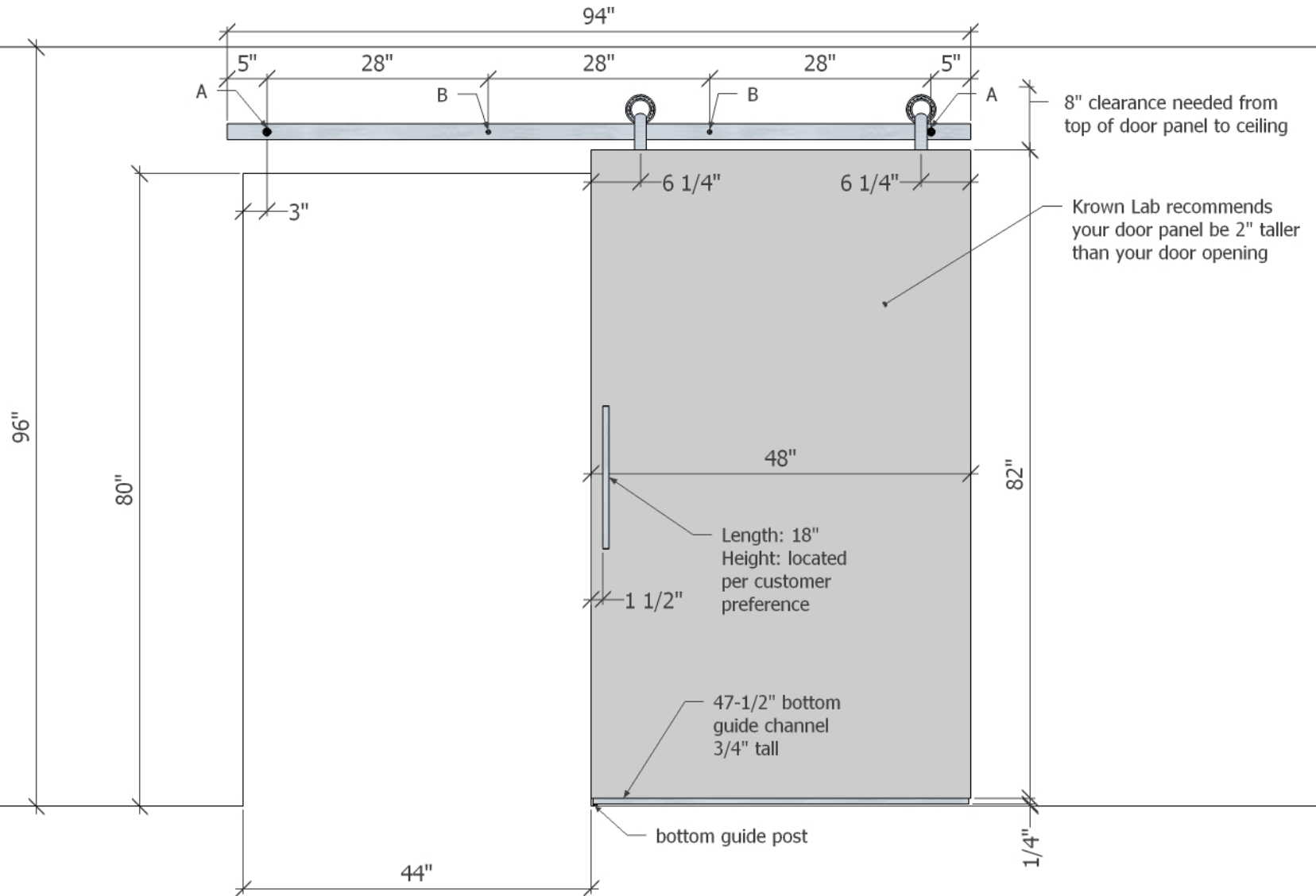
Hole Spec:

A = 25/64" through hole (bumper)
B = 9/16" front hole, 25/64" back hole

* Krown Lab system limits, information
not provided by customer.

<u>Track#</u>	<u>Qty.</u>	<u>Length</u>	<u>Finish</u>	<u>Panel weight</u>	<u>Panel depth</u>
1	1	94"	LB SS	<300 lbs *	1-1/4" +

BALDUR series drawing with 94" Track Configuration
Some Company, Inc. (open)



Sales Order #: XXXX
 P.O. #: XXXX

Date: XX.XX.XXXX

Drawn by: william

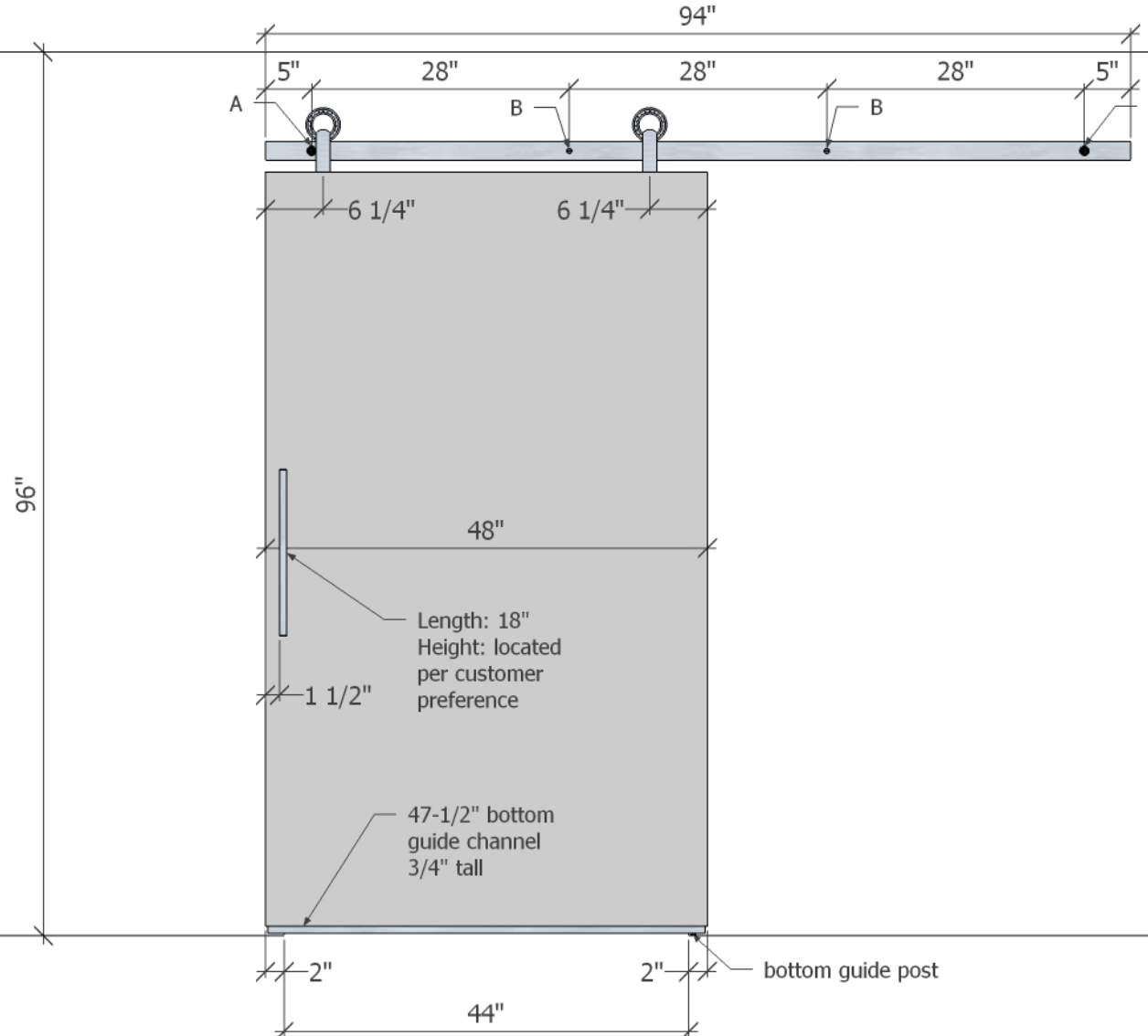
Hole Spec:

A = 25/64" through hole (bumper)
 B = 9/16" front hole, 25/64" back hole

* Krown Lab system limits, information not provided by customer.

Track#	Qty.	Length	Finish	Panel weight	Panel depth
1	1	94"	LB SS	<300 lbs *	1-1/4" +

BALDUR series drawing with 94" Track Configuration
Some Company, Inc. (closed)

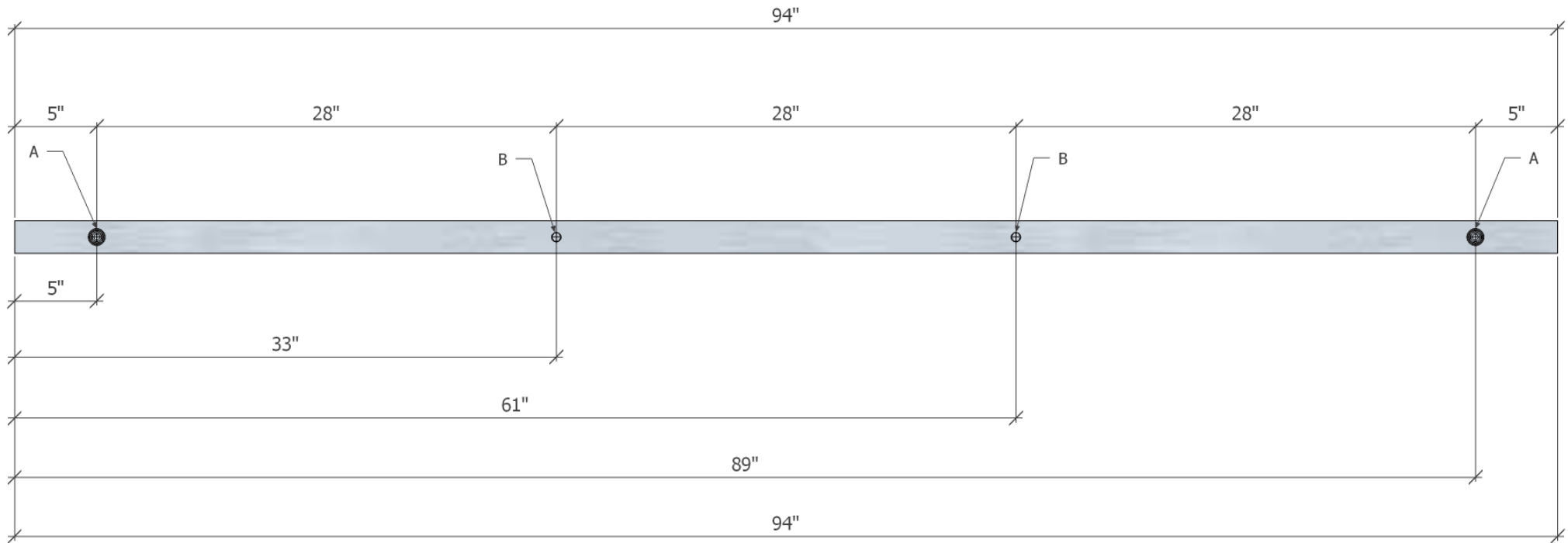


Sales Order #: XXXX
P.O. #: XXXX
Date: XX.XX.XXXX
Drawn by: william

Hole Spec:
A = 25/64" through hole (bumper)
B = 9/16" front hole, 25/64" back hole
* Krown Lab system limits, information not provided by customer.

Track#	Qty.	Length	Finish	Panel weight	Panel depth
1	1	94"	LB SS	<300 lbs *	1-1/4" +

BALDUR series drawing with 94" Track Configuration
Some Company, Inc. (track drill pattern)



Sales Order #: XXXX
P.O. #: XXXX

Date: XX.XX.XXXX

Drawn by: william

Hole Spec:

A = 25/64" through hole (bumper)
B = 9/16" front hole, 25/64" back hole

* Krown Lab system limits, information not provided by customer.

Track#	Qty.	Length	Finish	Panel weight	Panel depth
1	1	94"	LB SS	<300 lbs *	1-1/4" +