



BALDUR

FACE MOUNT

Combine iconic beauty with unparalleled functional performance. Patented hubless wheels and the Tru-Level track system sets a new benchmark in hardware design. Made in the USA from high-grade stainless steel and billet aluminum.

FEATURES

- Fast and easy installs with the Tru-Level™ system, providing a full 1/4" vertical and lateral adjustment at all mounting points.
- Easily set and readjust door travel on site, even after install.
- High precision bearings provide silent and smooth door travel.
- ADA compatible door pull force at full panel weight.
- Designed in Portland, OR. Proudly Made In The USA.
- 10 year commercial warranty.

SPECIFICATIONS

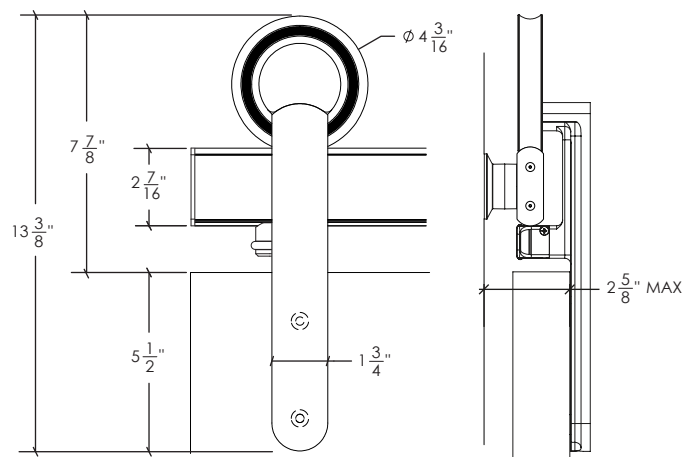
- Standard track lengths: one foot increments from 4' to 13'
- Multiple tracks can easily be joined together on site.
- Tracks comes predrilled or undrilled.
- Made-to-measure available for any length and drill pattern.
- Easily modify track length on site with common tools.
- Accommodates glass and framed walls.

WHAT'S INCLUDED

- 1 x track system with all necessary mounting hardware.
 - 2 x door stops.
 - 2 x trolleys with all necessary door mounting hardware.
 - 1 x door bottom guide
- Visit our website for all compatible options and add-ons.

DETAILS

- For door panels 3/4" to 1-3/4" in thickness, with up to 3/4" wide base board. Choose Top Mount for thicker panels.
- Standard 400 lb door weight capacity. Contact us for heavier door panels.
- A full 1/4" of out-of-plumb adjustment at each trolley for further door panel adjustment, even after installation.



QUICK LOOK

FINISH OPTIONS

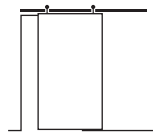


Brushed Stainless

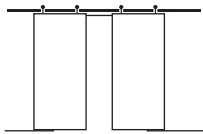


Black Stainless

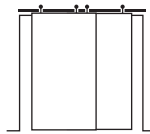
CONFIGURATIONS



Single



Bi-Parting



Bypassing

WEIGHT CAPACITY

400lb per panel. Contact us for heavier door panels.

PRICING

Trade discounts and volume pricing available.

ORDERING

To order, please contact:
support@krownlab.com
 +1 503 292 6998

MORE INFORMATION

For further product specifications and CAD, please visit:
www.krownlab.com/downloads