

# ODEN

## GLASS MOUNT

Combine elegance with outstanding lasting performance. Featuring the Tru-Level track system, with an array of unique site adjustment features for fast and precise installation. Made in the USA from high-grade stainless steel and billet aluminum.

### FEATURES

- Fast and easy installs with the Tru-Level™ system, providing a full 1/4" vertical and lateral adjustment at all mounting points.
- Easily set and readjust door travel on site, even after install.
- High precision bearings provide silent and smooth door travel.
- ADA compatible door pull force at full panel weight.
- Designed in Portland, OR. Proudly Made In The USA.
- 10 year commercial warranty.

### SPECIFICATIONS

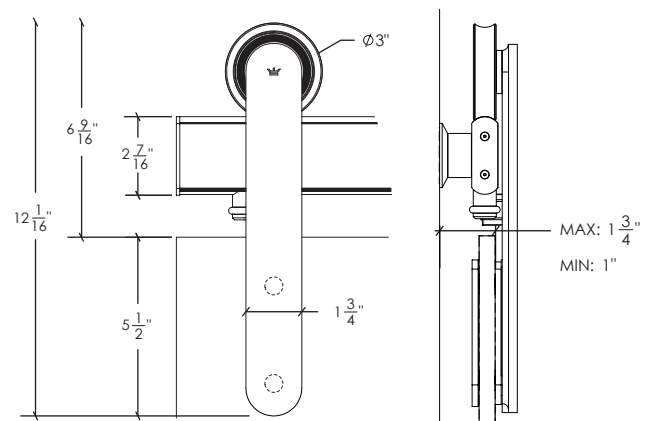
- Standard track lengths: one foot increments from 4' to 13'.
- Multiple tracks can easily be joined together on site.
- Tracks comes predrilled or undrilled.
- Made-to-measure available for any length and drill pattern.
- Easily modify track length on site with common tools.
- Accomodates glass and framed walls.

### WHAT'S INCLUDED

- 1 x track system with all necessary mounting hardware.
  - 2 x door stops.
  - 2 x trolleys with all necessary door mounting hardware.
  - 1 x door bottom guide
- Visit our website for all compatible options and add-ons.

### DETAILS

- Standard compatible with glass panels 3/8" and 1/2" thick. Contact us for door panels outside of this thickness range.
- Standard 400 lb door weight capacity. Contact us for heavier door panels.
- A full 1/4" of out-of-plumb adjustment at each trolley for additional door panel adjustment, even after installation.



## QUICK LOOK

### FINISH OPTIONS

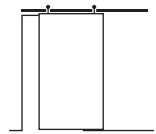


Brushed Stainless

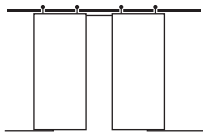


Black Stainless

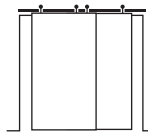
### CONFIGURATIONS



Single



Bi-Parting



Bypassing

### WEIGHT CAPACITY

400lb per panel. Contact us for heavier door panels.

### PRICING

Trade discounts and volume pricing available.

### ORDERING

To order, please contact:  
[support@krownlab.com](mailto:support@krownlab.com)  
+1 503 292 6998

### MORE INFORMATION

For further product specifications and CAD, please visit:  
[www.krownlab.com/downloads](http://www.krownlab.com/downloads)