

RAGNAR

TOP MOUNT

A sliding door hardware system with industrial bearings for wheels made from solid, stainless steel construction.

UNIQUE FEATURES

- Tru-Level™ System provides 1/4" vertical and lateral adjustment at each mounting point
- Fully adjustable door stops
- Cut and drill track in field with commonly available tools
- Made in USA

TRACK

- 12" increments between 4' and 13'
- Track Connectors available for installations where longer track lengths are required
- Predrilled or undrilled
- Made-to-measure available for any length and drill pattern

COMPATIBLE WALL TYPES

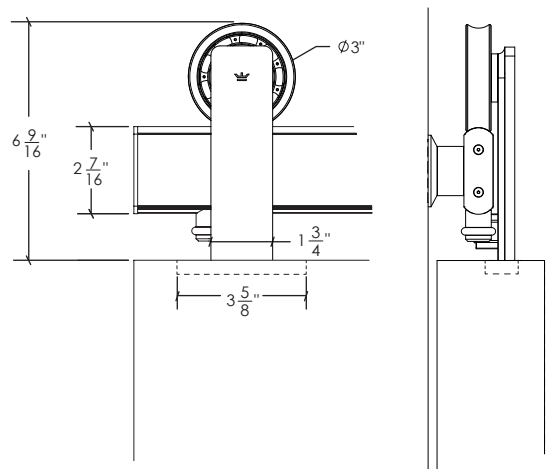
- Framed Wood Wall (blocking required)
- Concrete
- Steel Beam
- Glass Wall

OPTIONAL ACCESSORIES

- Door Pulls
- Drywall Inserts
- Shim Kits
- Bottom Stop
- Bottom Guide Channel
- Perpendicular Wall Fitting

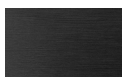
TECHNICAL DETAILS

- Below ADA requirement for pull force at full weight
- Panel thickness: 1 3/8" and up (contact us if your panel is thinner)
- 10 year warranty

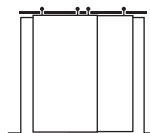
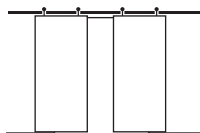
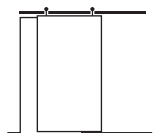


QUICK LOOK

FINISH OPTIONS



CONFIGURATIONS



WEIGHT CAPACITY

400lb (contact us if your door panel is heavier)

VOLUME PRICING

Available for orders over 10 units

ORDERING

To order Ragnar Top Mount, contact:
support@krownlab.com
503-292-6998

MORE INFORMATION

For all spec sheets visit:
www.krownlab.com/ragnar