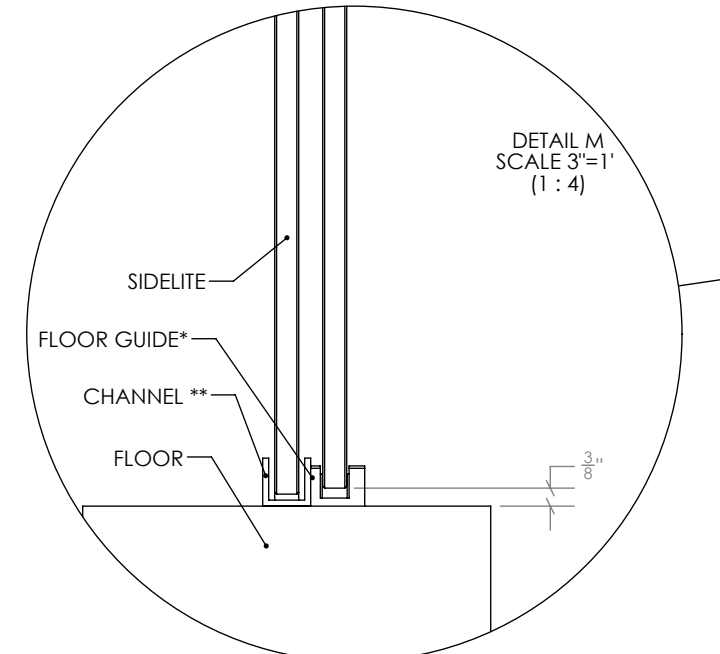
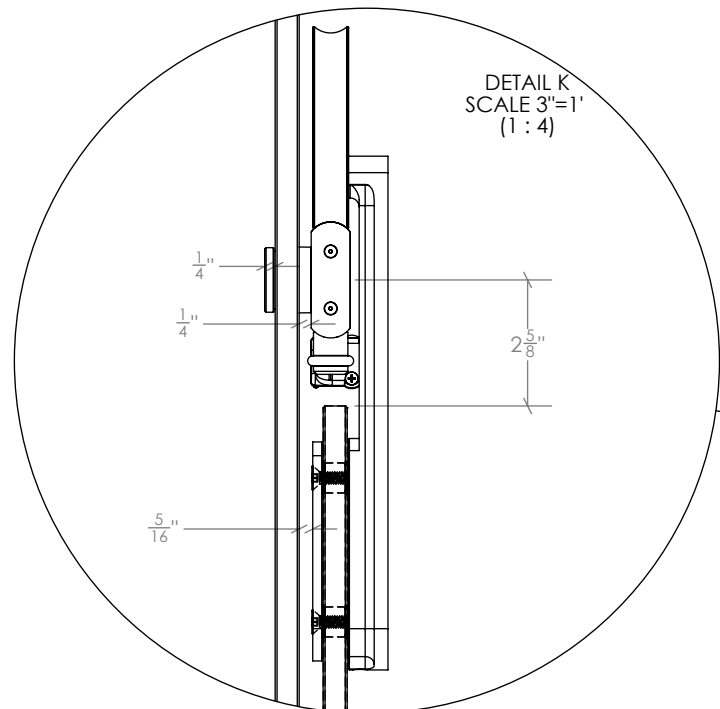
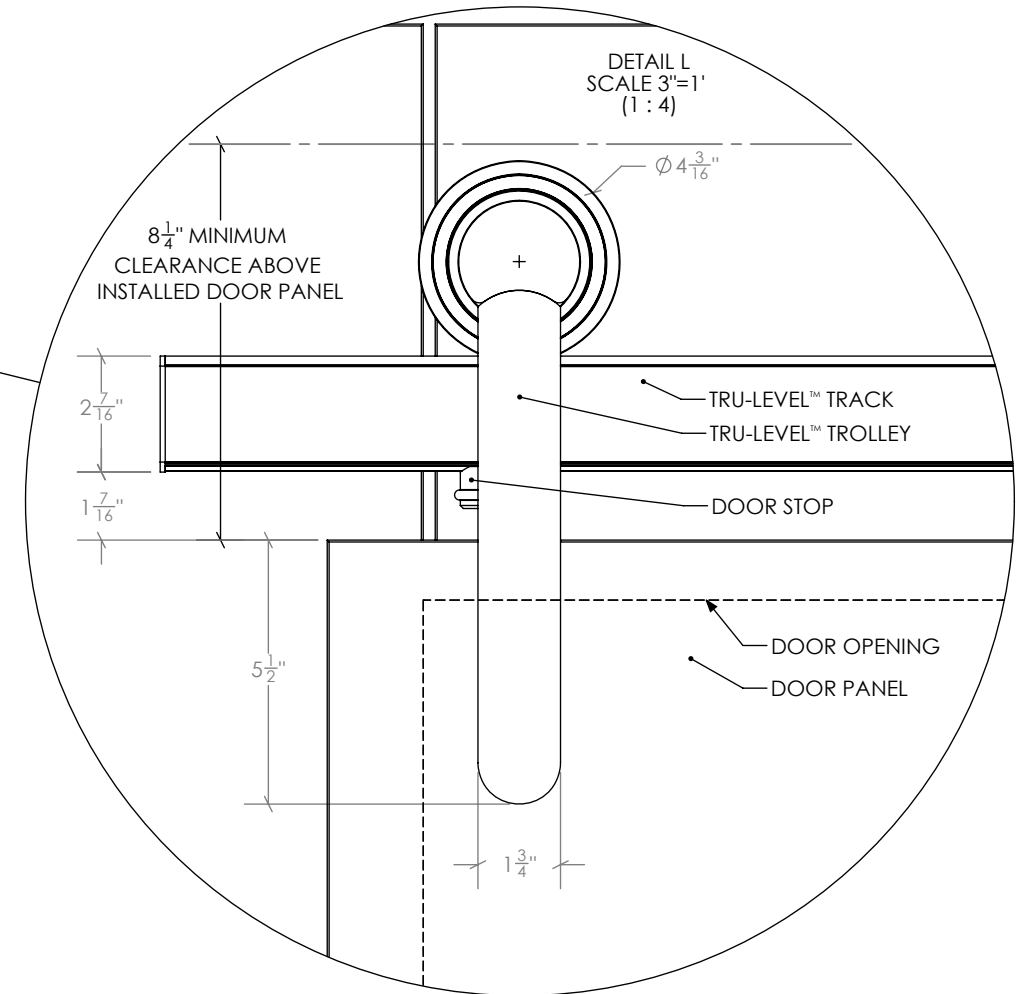
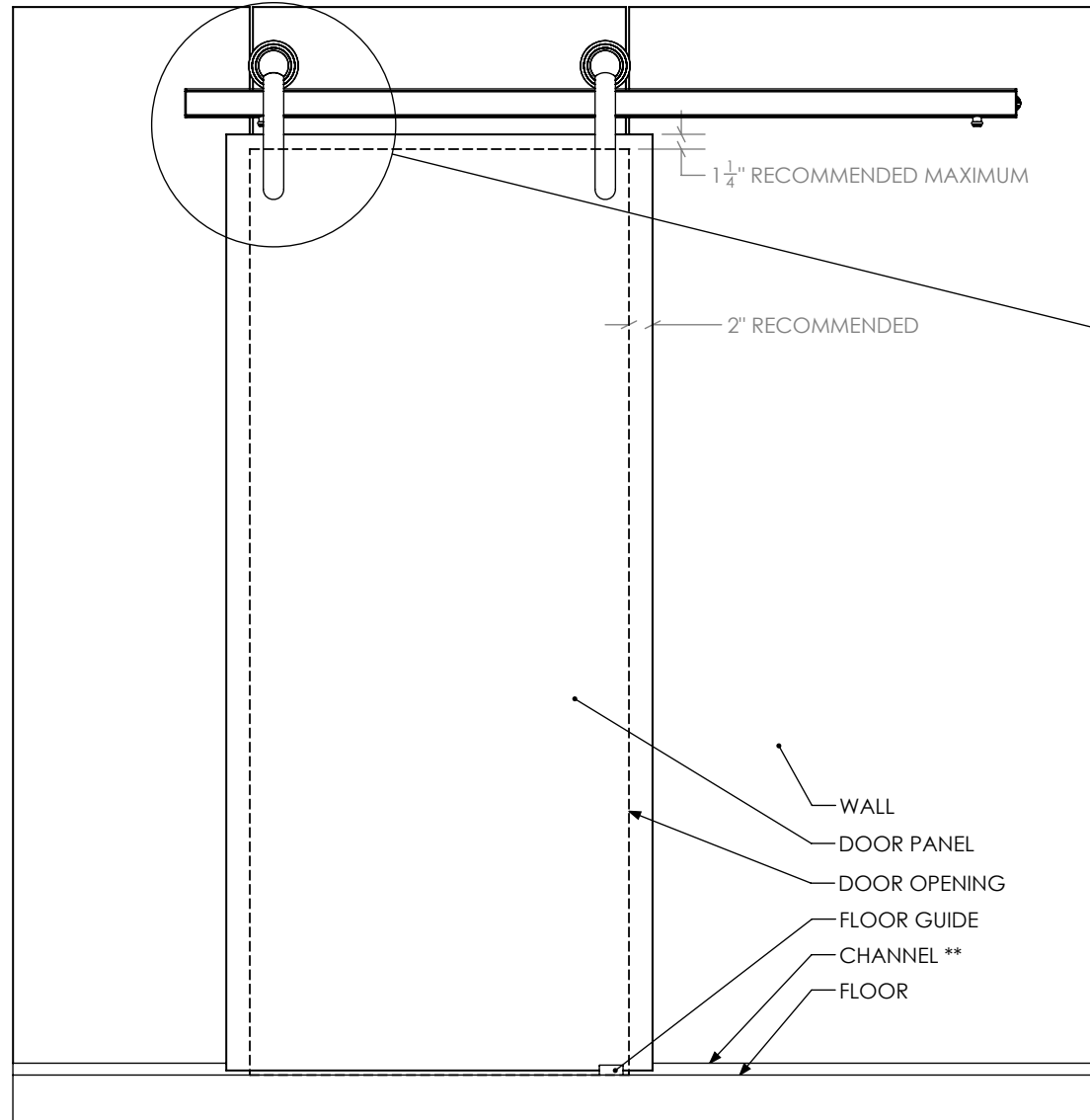
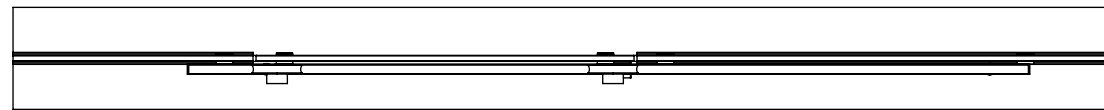


DOCUMENT: PRODUCT SPECIFICATIONS	DOOR APPLICATION: SINGLE, BI-PARTING, BYPASSING	DRAWING SCALE: 3/4" = 1'-0" (1:16)	KROWNLAB 2351 NW York St. Portland, OR 97210 +1 503 292 6998 www.krownlab.com support@krownlab.com
SYSTEM: BALDUR	PANEL THICKNESS: 3/8" TO 1/2"	UNITS: INCHES	
MOUNTING STYLE: GLASS WALL	MAXIMUM WEIGHT: UP TO 400LBS (CONTACT US FOR HEAVIER PANELS)	DATE: 3/6/2024	



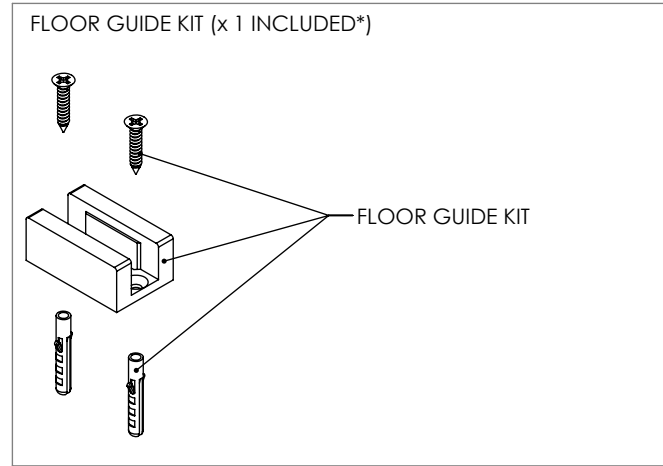
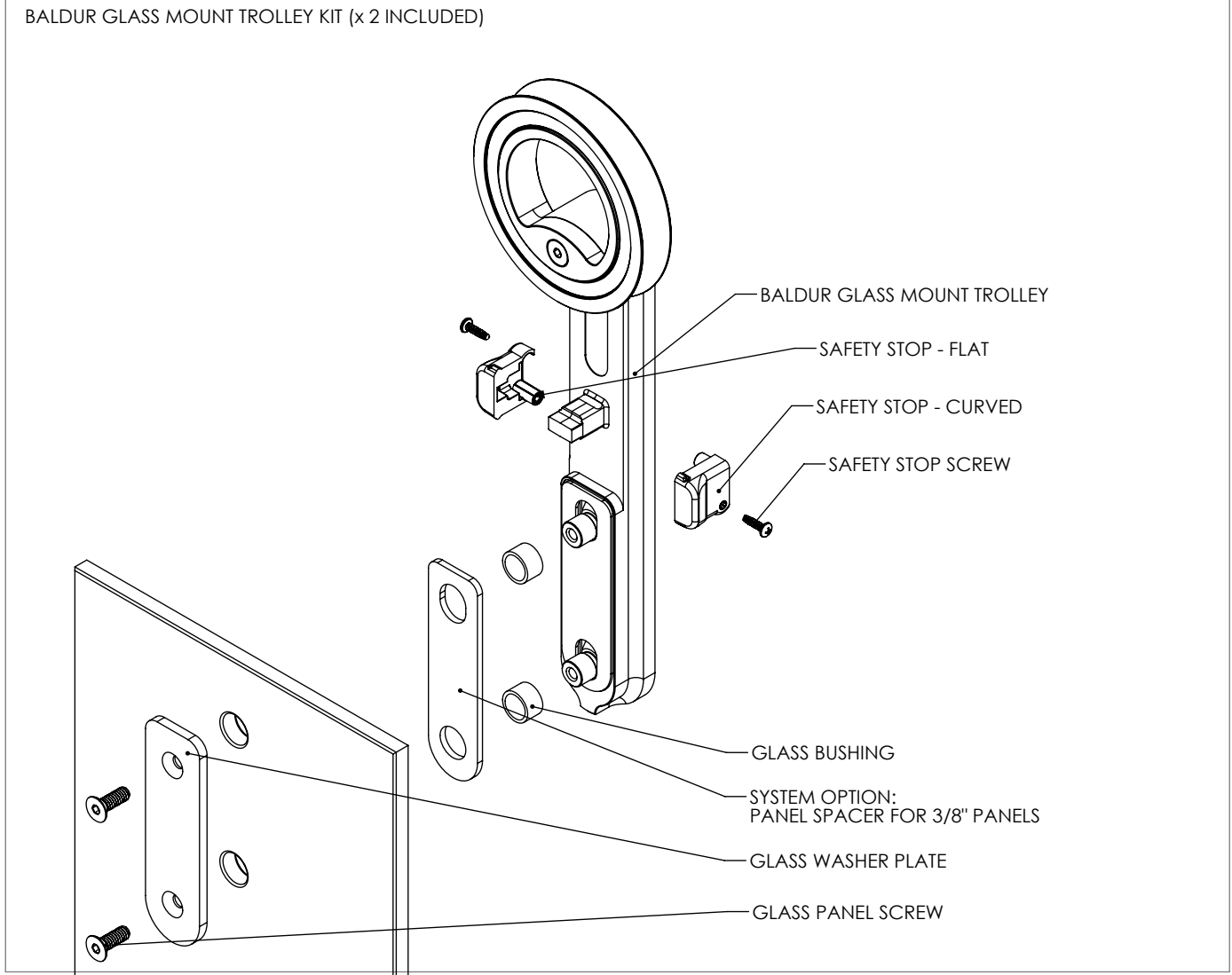
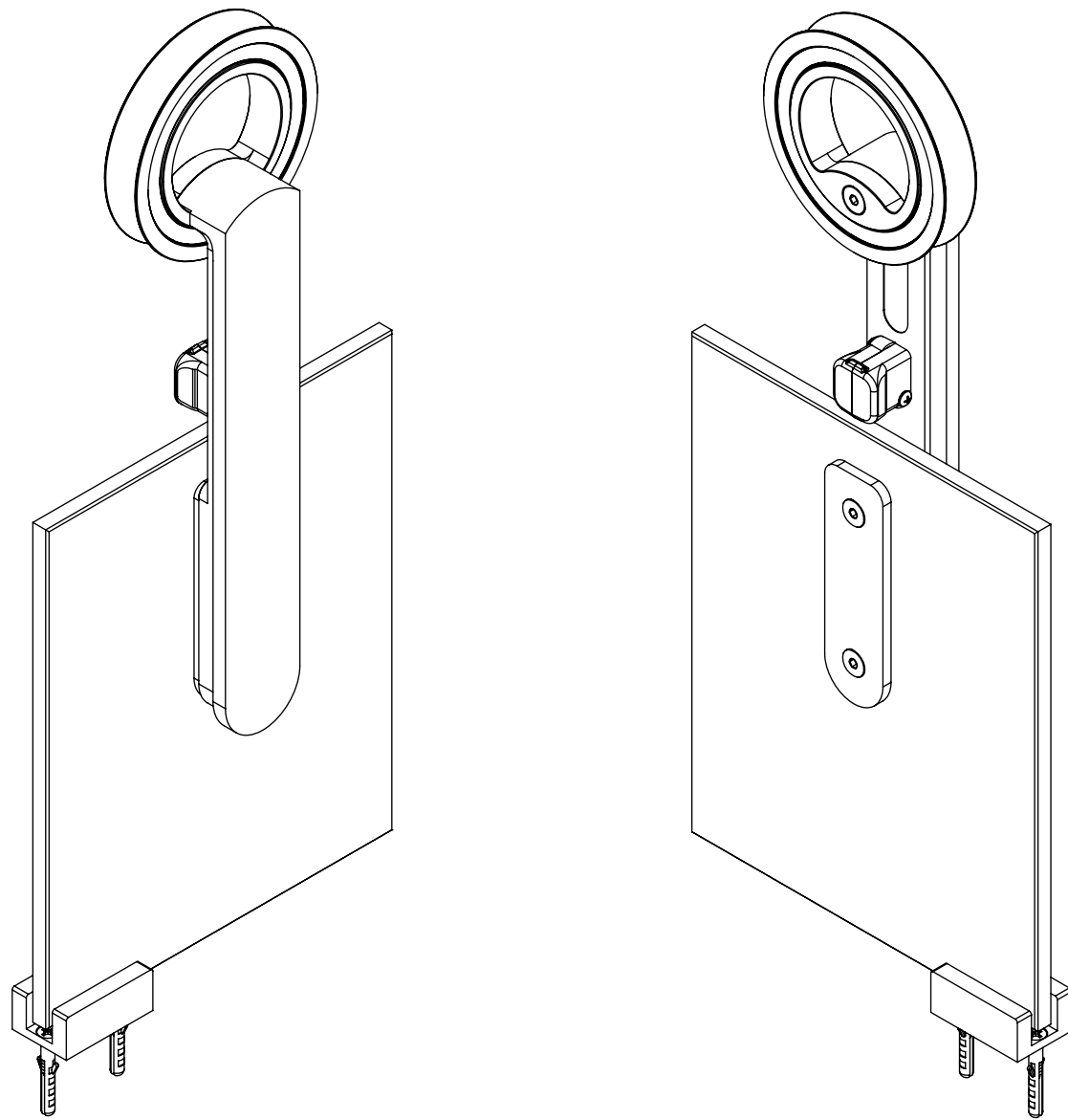
* = FLOOR GUIDE MAY DIFFER
 ** = BY OTHERS



DOCUMENT:	PRODUCT SPECIFICATIONS	DOOR APPLICATION:	SINGLE, BI-PARTING, BYPASSING	DRAWING SCALE:	4" = 1'-0" (1:3)	KROWNLAB 2351 NW York St. Portland, OR 97210 +1 503 292 6998 www.krownlab.com support@krownlab.com
SYSTEM:	BALDUR	PANEL THICKNESS:	3/8" TO 1/2"	UNITS:	INCHES	
MOUNTING STYLE:	GLASS MOUNT	MAXIMUM WEIGHT:	UP TO 550LBS (CONTACT US FOR HEAVIER PANELS)	DATE:	3/6/2024	



WHAT'S INCLUDED:
 2 x BALDUR GLASS MOUNT TROLLEY KIT
 1 x FLOOR GUIDE KIT (FLOOR GUIDE MAY DIFFER - MULTIPLE OPTIONS EXIST)
 1 x TRU-LEVEL™ TRACK SYSTEM WITH ALL MOUNTING HARDWARE (SEE SEPARATE PAGE)



* = FLOOR GUIDE MAY DIFFER - MULTIPLE OPTIONS EXIST

DOCUMENT:	PRODUCT SPECIFICATIONS - GLASS DOOR PANEL SPECIFICATIONS	DOOR APPLICATION:	SINGLE, BI-PARTING & BYPASSING	DRAWING SCALE:	1" = 1'-0" (1:12)	KROWNLAB 2351 NW York St. Portland, OR 97210 +1 503 292 6998 www.krownlab.com support@krownlab.com
SYSTEM:	TRU-LEVEL™ TRACK	PANEL THICKNESS:	3/8" TO 1/2" (CONTACT US FOR PANELS OUTSIDE OF THIS RANGE)	UNITS:	INCHES	
MOUNTING STYLE:	GLASS	MAXIMUM WEIGHT:	TROLLEY SYSTEM OR TRACK CONFIGURATION DEPENDENT	DATE:	1/17/2024	



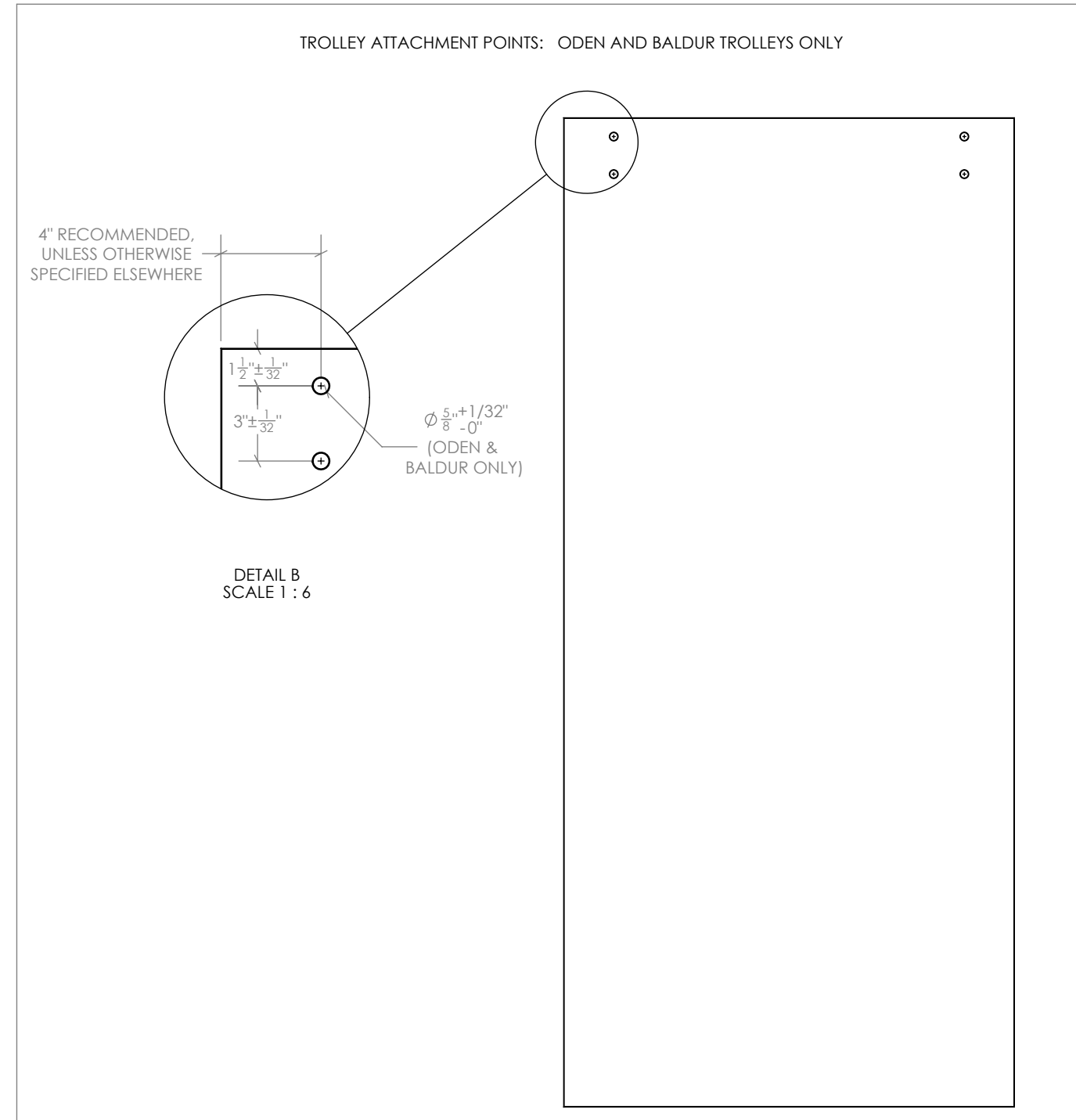
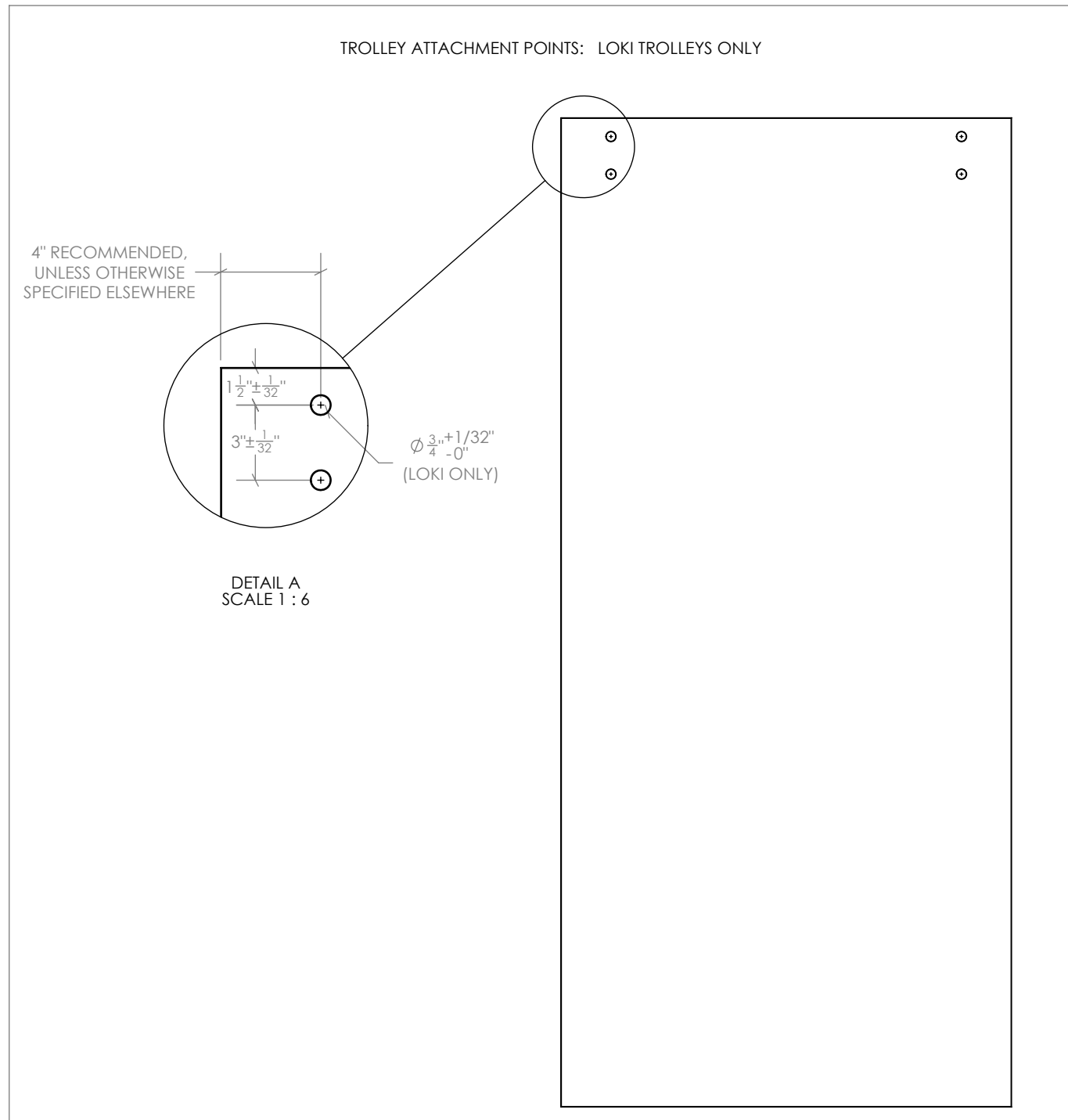
ALL GLASS PANELS AND FIXED MOUNTING HARDWARE MUST BE SOURCED THROUGH GLASS INSTALLER OR OTHER PARTY, AND MUST MEET THE FOLLOWING REQUIREMENTS:

GLASS PANELS MUST BE FLAT POLISHED AND HAVE A 1MM CHAMFER ON ALL EDGES.

ALL HOLES MUST BE DRILLED OR CNC MACHINED WITH STRAIGHT WALLS AND SEAMED EDGES. DO NOT WATER-JET - NO TAPERED HOLES.

ALL TEMPERED GLASS IS SUBJECT TO EXPERIENCE SPONTANIOUS BREAKAGE. IT IS THE BUYERS RESPONSIBILITY TO DETERMINE AND APPROVE GLASS SPECIFICATION(S) SUITABLE TO MEET ALL FACTORS RELEVANT TO THEIR PARTICULAR USE OR APPLICATION IN CONJUNCTION WITH ALL KROWN LAB, INC.'S PRODUCTS.

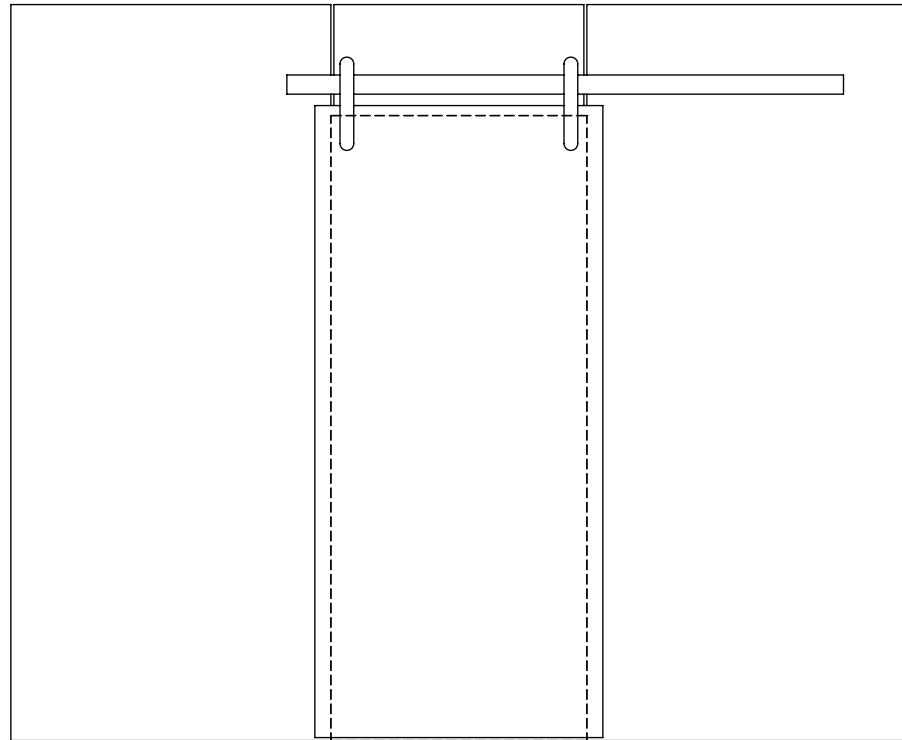
REFERENCE ASTM C1048, 7.9.5



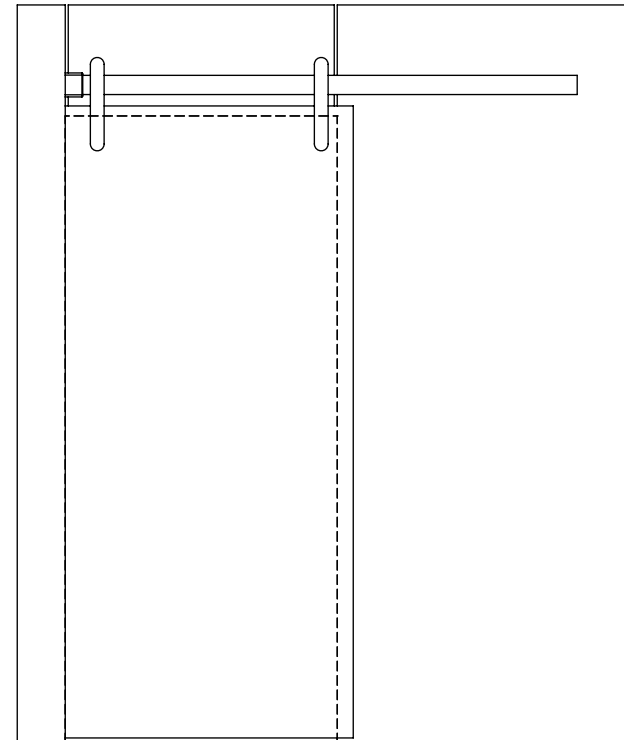
DOCUMENT:	PRODUCT SPECIFICATIONS - DOOR CONFIGURATIONS	DOOR APPLICATION:	SINGLE & BI-PARTING	DRAWING SCALE:	1/2" = 1'-0" (1:24)	KROWNLAB 2351 NW York St. Portland, OR 97210 +1 503 292 6998 www.krownlab.com support@krownlab.com
SYSTEM:	TRU-LEVEL™ TRACK	PANEL THICKNESS:	3/8" TO 1/2" (CONTACT US FOR PANELS OUTSIDE OF THIS RANGE)	UNITS:	INCHES	
MOUNTING STYLE:	GLASS WALL	MAXIMUM WEIGHT:	UP TO 400 LBS. TROLLEY SYSTEM OR TRACK CONFIGURATION DEPENDENT	DATE:	5/17/2018	



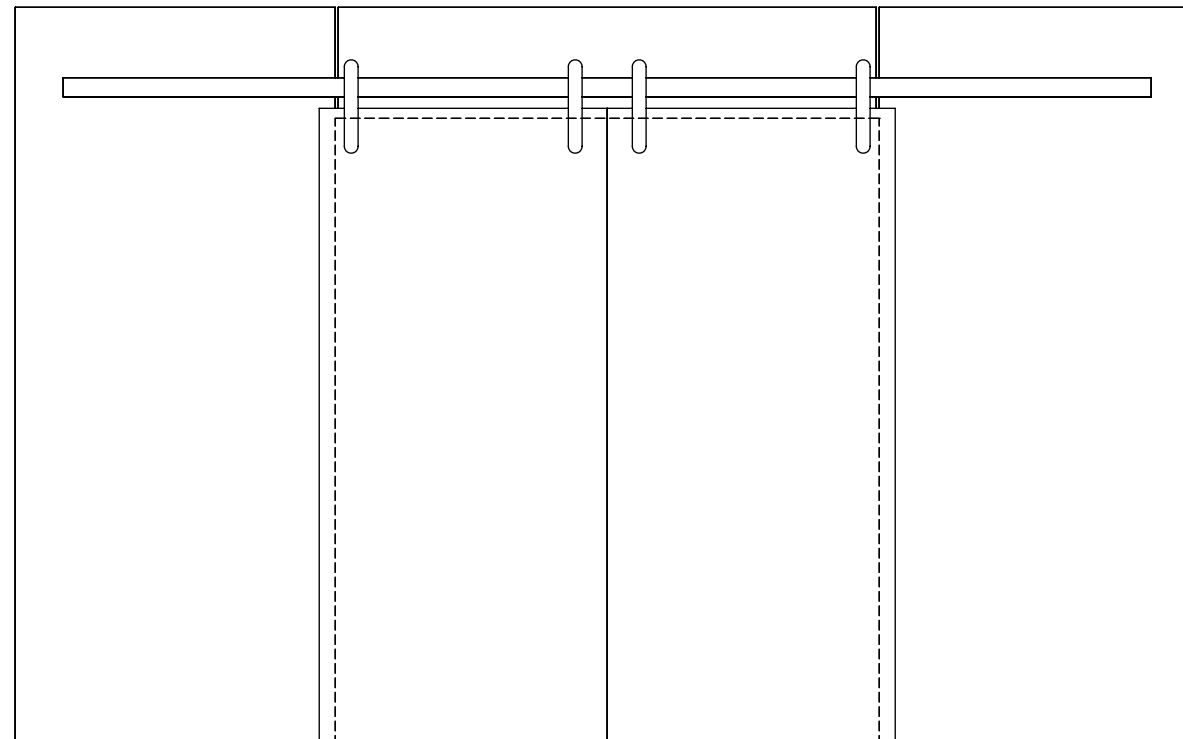
SINGLE




SINGLE - PERPENDICULAR WALL

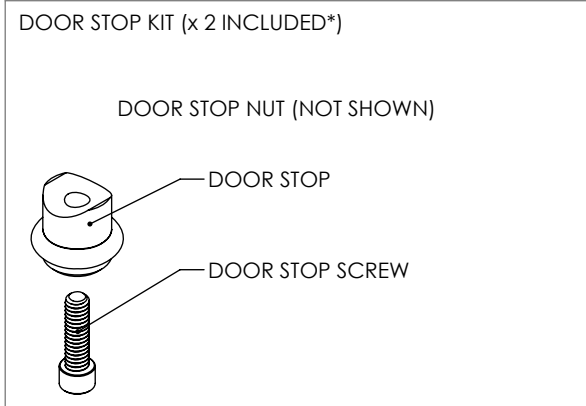


BI-PARTING

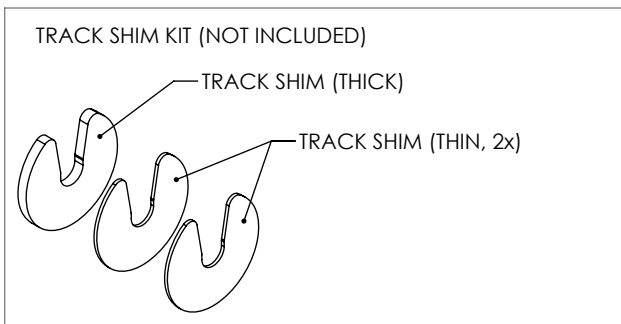


DOCUMENT:	PRODUCT SPECIFICATIONS	DOOR APPLICATION:	SINGLE & BI-PARTING	DRAWING SCALE:	6" = 1'-0" (1:2)	KROWNLAB 2351 NW York St. Portland, OR 97210 +1 503 292 6998 www.krownlab.com support@krownlab.com	
SYSTEM:	TRU-LEVEL™ TRACK	PANEL THICKNESS:	3/8" TO 1/2" (CONTACT US FOR PANELS OUTSIDE OF THIS RANGE)	UNITS:	INCHES		
MOUNTING STYLE:	GLASS WALL	MAXIMUM WEIGHT:	UP TO 400 LBS. TROLLEY SYSTEM OR TRACK CONFIGURATION DEPENDENT	DATE:	11/16/2023		

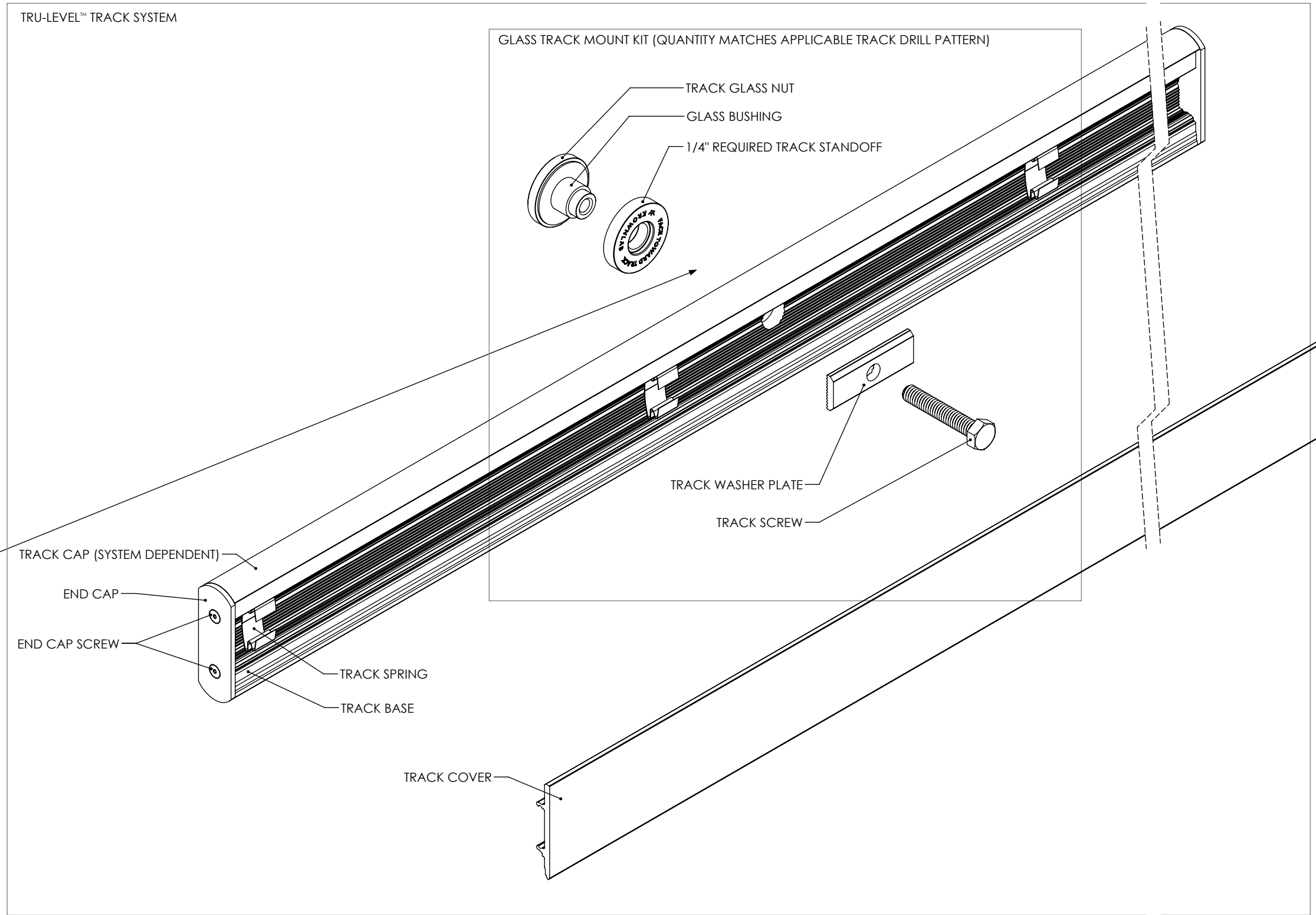
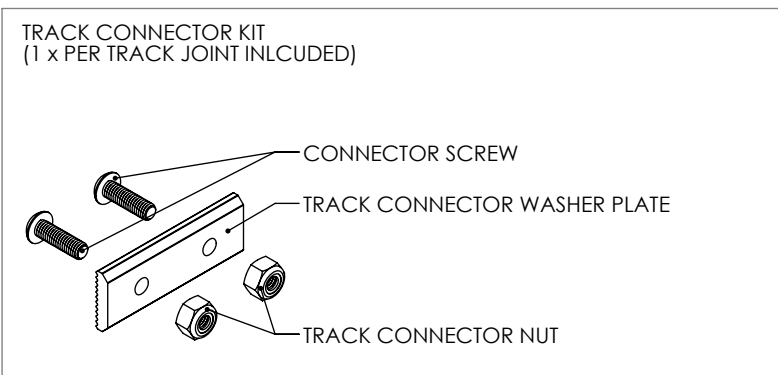
WHAT'S INCLUDED:
 1 x TRU-LEVEL™ TRACK SYSTEM WITH ALL MOUNTING HARDWARE:
 X x GLASS TRACK MOUNT KIT
 2 x DOOR STOP KIT
 X x TRACK CONNECTOR KIT (1 x PER TRACK JOINT INLCUDED)



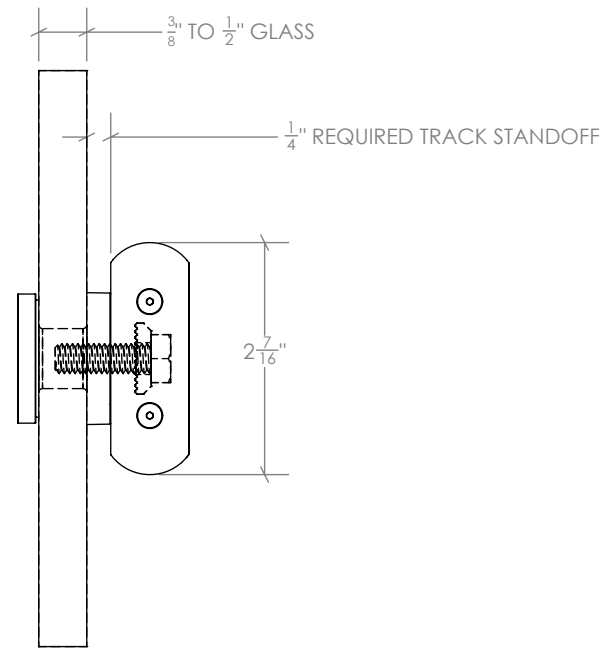
* = THE DOOR STOP MAY DIFFER - MULTIPLE OPTIONS EXIST
 VISIT WWW.KROWNLAB.COM FOR ALL OPTIONS



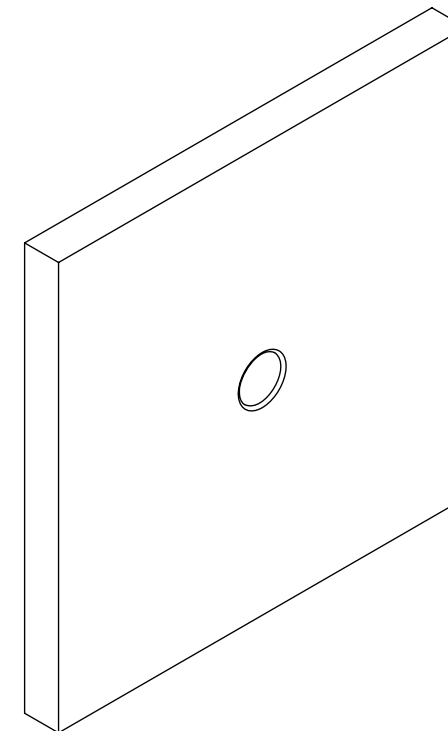
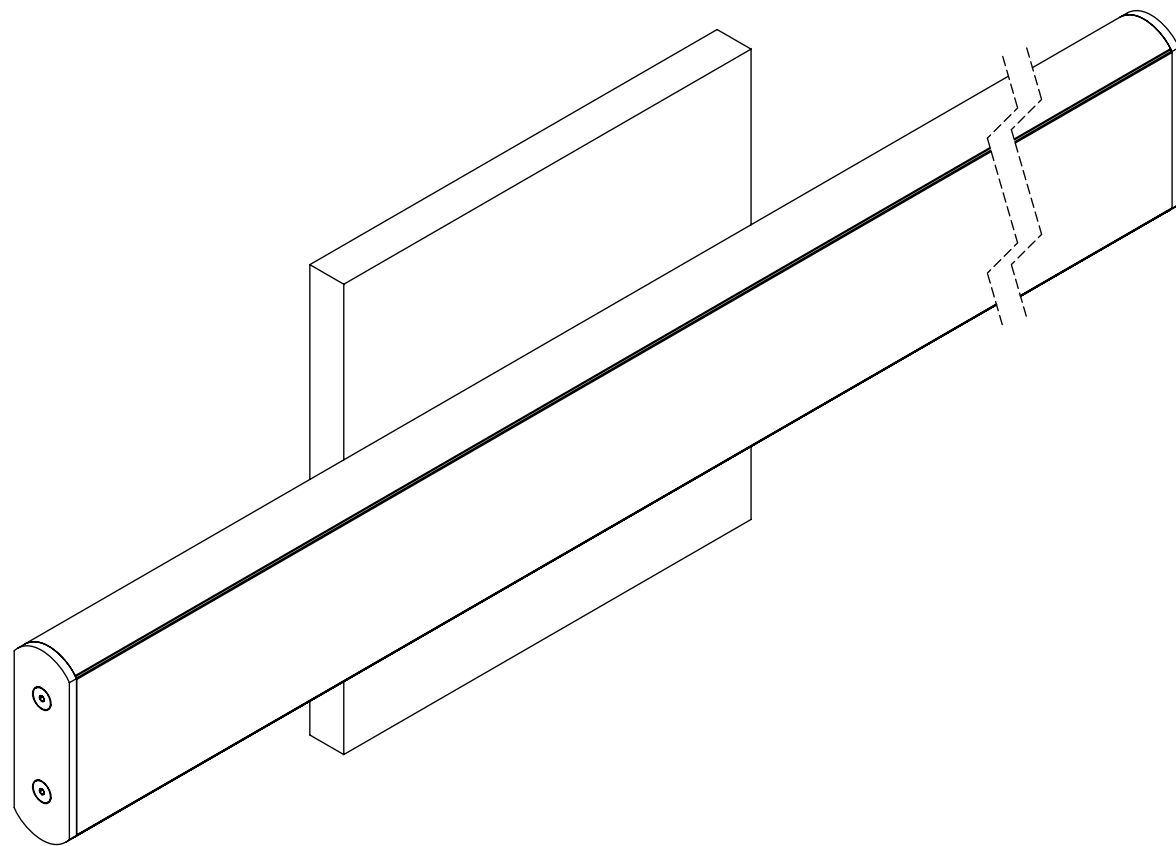
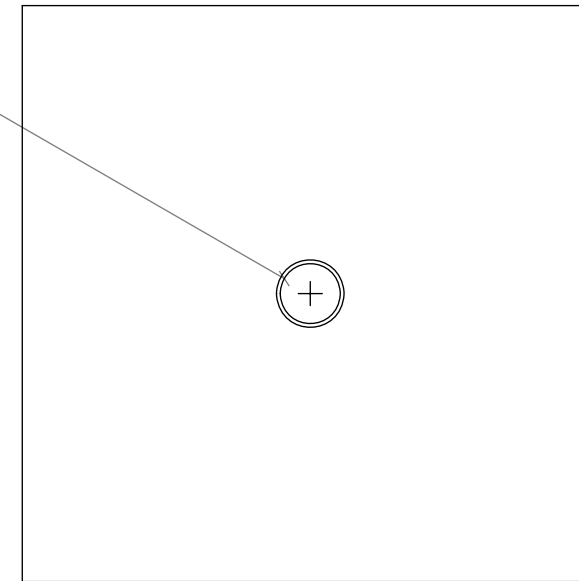
TRACK SHIMS ARE DESIGNED TO BE INSTALLED AGAINST TRACK



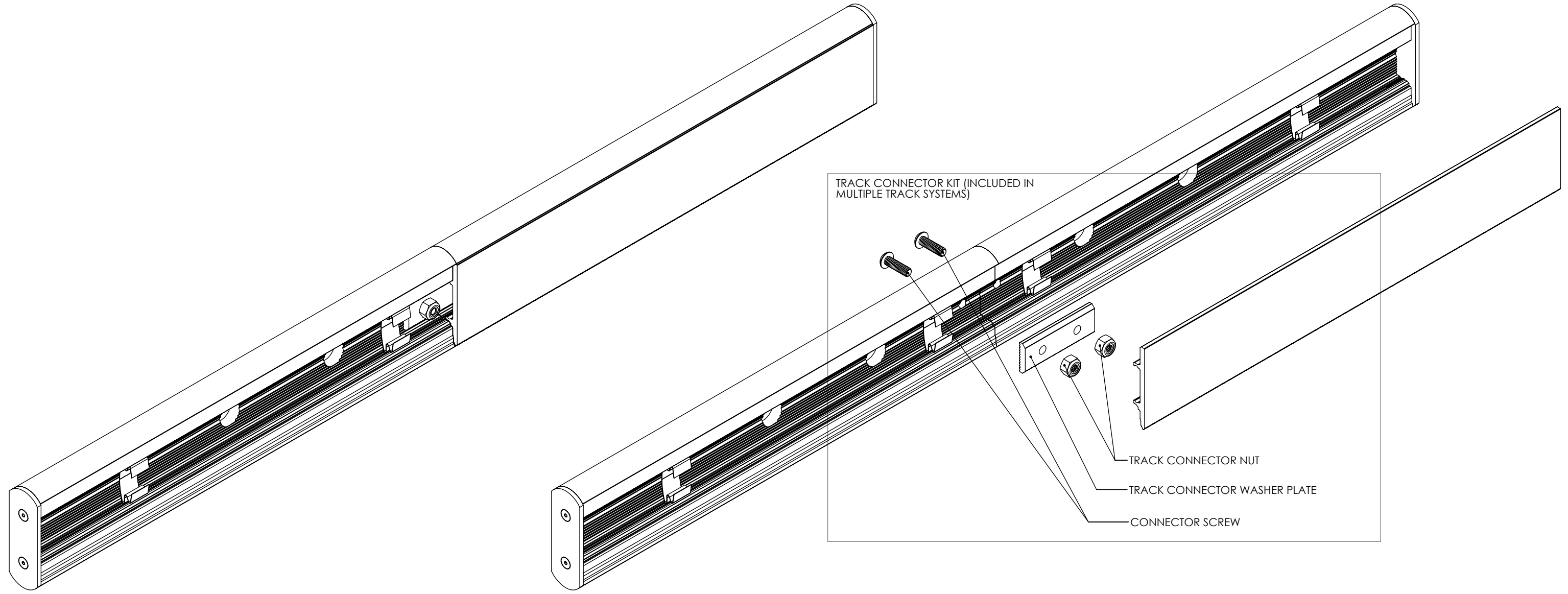
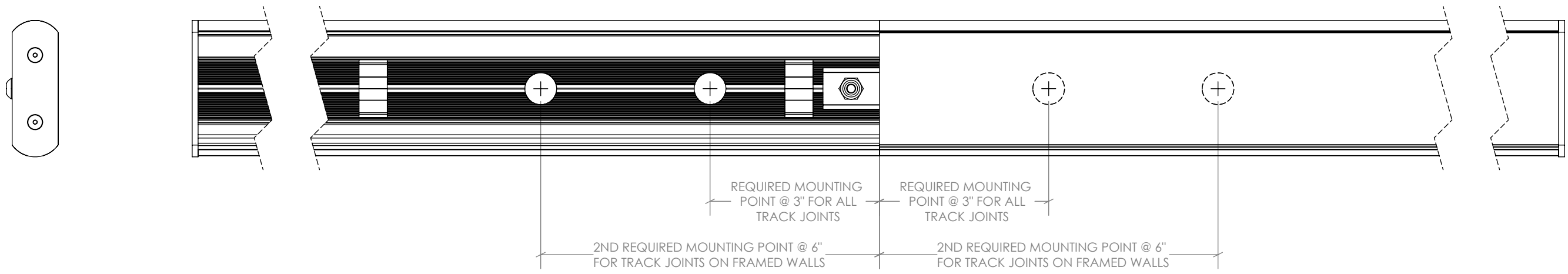
DOCUMENT:	PRODUCT SPECIFICATIONS - STANDARD GLASS TRACK MOUNTING POINT	DOOR APPLICATION:	SINGLE & BI-PARTING	DRAWING SCALE:	6" = 1'-0" (1:2)	KROWNLAB 2351 NW York St. Portland, OR 97210 +1 503 292 6998 www.krownlab.com support@krownlab.com
SYSTEM:	TRU-LEVEL™ TRACK	PANEL THICKNESS:	3/8" TO 1/2" (CONTACT US FOR PANELS OUTSIDE OF THIS RANGE)	UNITS:	INCHES	
MOUNTING STYLE:	GLASS WALL	MAXIMUM WEIGHT:	UP TO 400 LBS. TROLLEY SYSTEM OR TRACK CONFIGURATION DEPENDENT	DATE:	11/16/2023	



$\varnothing \frac{5}{8} + \frac{1}{32} - 0$ " HOLE
 SEE GLASS PANEL SPECIFICATIONS
 PAGE FOR MORE DETAILS



DOCUMENT:	PRODUCT SPECIFICATIONS - TRACK CONNECTOR	DOOR APPLICATION:	SINGLE & BI-PARTING	DRAWING SCALE:	6" = 1'-0" (1:2)	KROWNLAB 2351 NW York St. Portland, OR 97210 +1 503 292 6998 www.krownlab.com support@krownlab.com	
SYSTEM:	TRU-LEVEL™ TRACK	PANEL THICKNESS:	TROLLEY SYSTEM DEPENDENT	UNITS:	INCHES		
MOUNTING STYLE:	ALL WALL TYPES	MAXIMUM WEIGHT:	TROLLEY SYSTEM OR TRACK CONFIGURATION DEPENDENT	DATE:	11/16/2023		



DOCUMENT:	PRODUCT SPECIFICATIONS - GLASS WALL SPECIFICATIONS	DOOR APPLICATION:	SINGLE & BI-PARTING	DRAWING SCALE:	3/4" = 1'-0" (1:16)	KROWNLAB 2351 NW York St. Portland, OR 97210 +1 503 292 6998 www.krownlab.com support@krownlab.com
SYSTEM:	TRU-LEVEL™ TRACK	PANEL THICKNESS:	3/8" TO 1/2" (CONTACT US FOR PANELS OUTSIDE OF THIS RANGE)	UNITS:	INCHES	
MOUNTING STYLE:	GLASS WALL	MAXIMUM WEIGHT:	UP TO 400 LBS. TROLLEY SYSTEM OR TRACK CONFIGURATION DEPENDENT	DATE:	1/17/2024	



ALL GLASS PANELS AND FIXED MOUNTING HARDWARE MUST BE SOURCED THROUGH GLASS INSTALLER OR OTHER PARTY, AND MUST MEET THE FOLLOWING REQUIREMENTS:

THE KROWNLAB TRU-LEVEL™ TRACK SYSTEM IS COMPATIBLE WITH MONOLITHIC TEMPERED GLASS, 3/8" AND 1/2" IN THICKNESS. INQUIRE REGARDING THICKER GLASS.

GLASS PANELS MUST BE FLAT POLISHED AND HAVE A 1MM CHAMFER ON ALL EDGES.

ALL HOLES MUST BE DRILLED OR CNC MACHINED WITH STRAIGHT WALLS AND SEAMED EDGES. DO NOT WATER-JET - NO TAPERED HOLES.

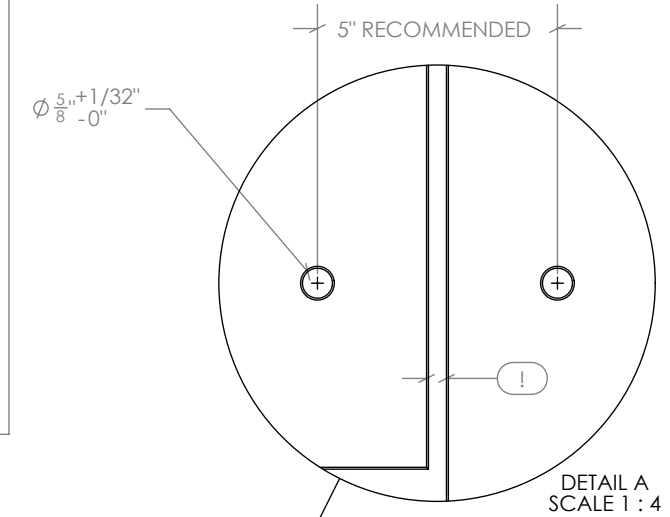
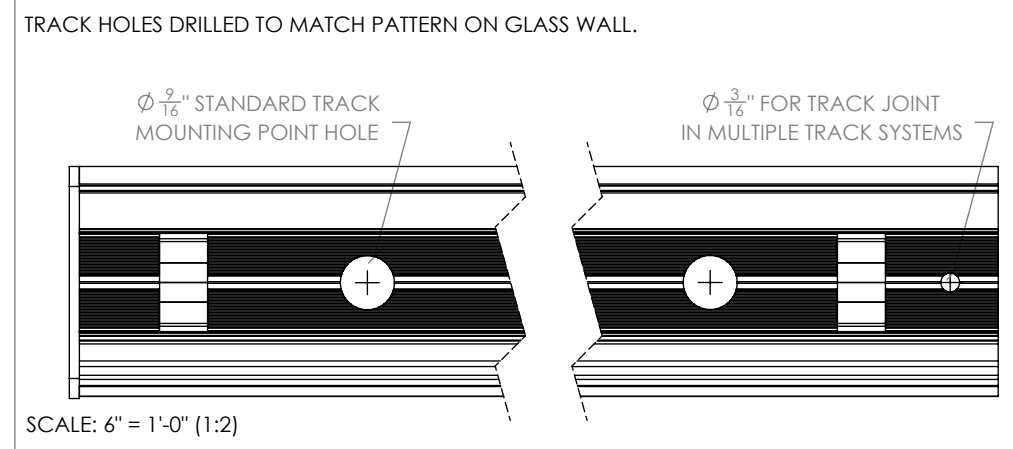
KROWNLAB TRU-LEVEL™ TRACK IS NOT A STRUCTURAL MEMBER. SIDE-LITES AND TRANSOMS MUST BE ENGINEERED TO SUPPORT KROWNLAB HARDWARE.

ALL TEMPERED GLASS IS SUBJECT TO EXPERIENCE SPONTANEOUS BREAKAGE. IT IS THE BUYERS RESPONSIBILITY TO DETERMINE AND APPROVE GLASS SPECIFICATION(S) SUITABLE TO MEET ALL FACTORS RELEVANT TO THEIR PARTICULAR USE OR APPLICATION IN CONJUNCTION WITH ALL KROWNLAB, INC.'S PRODUCTS.

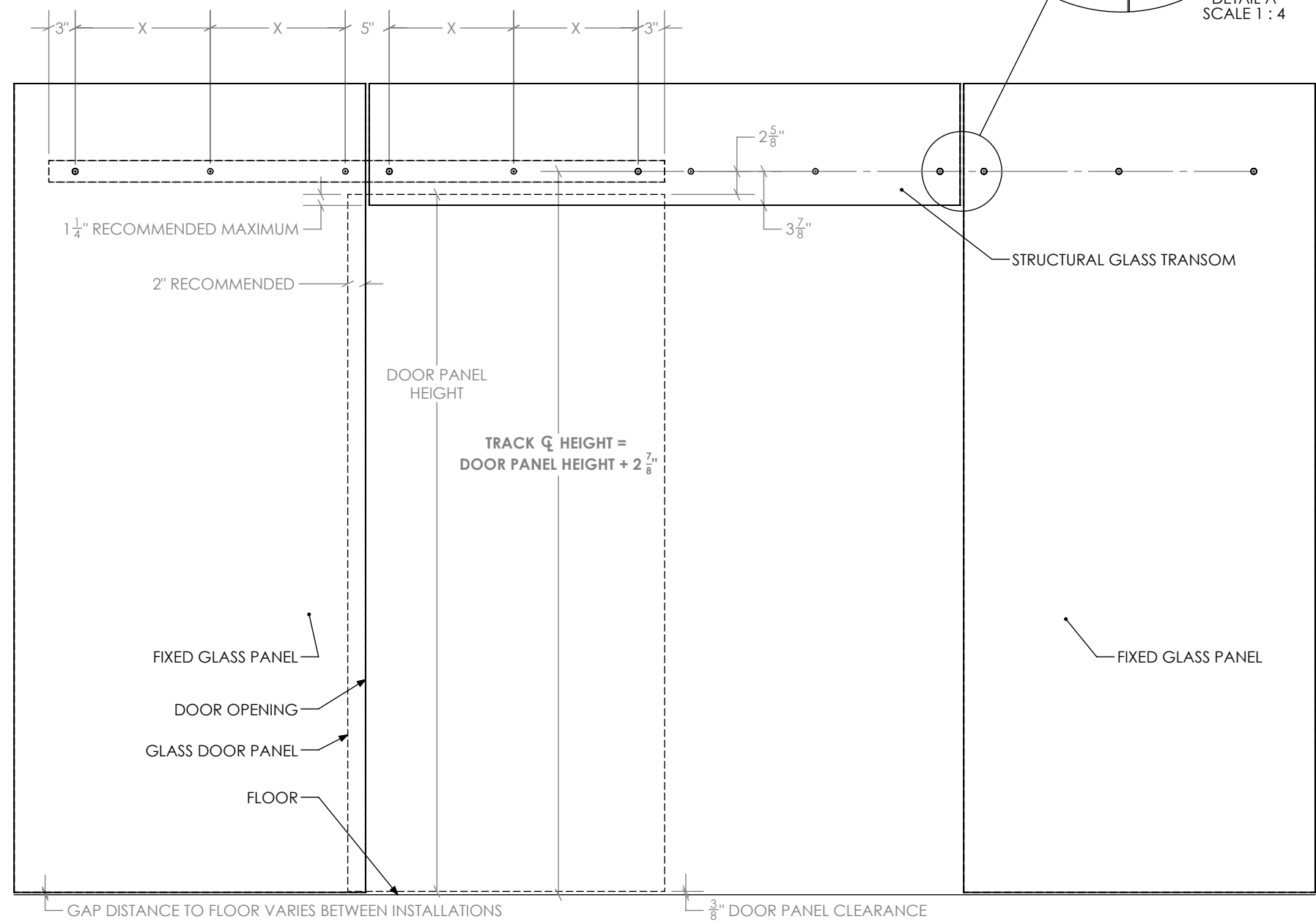
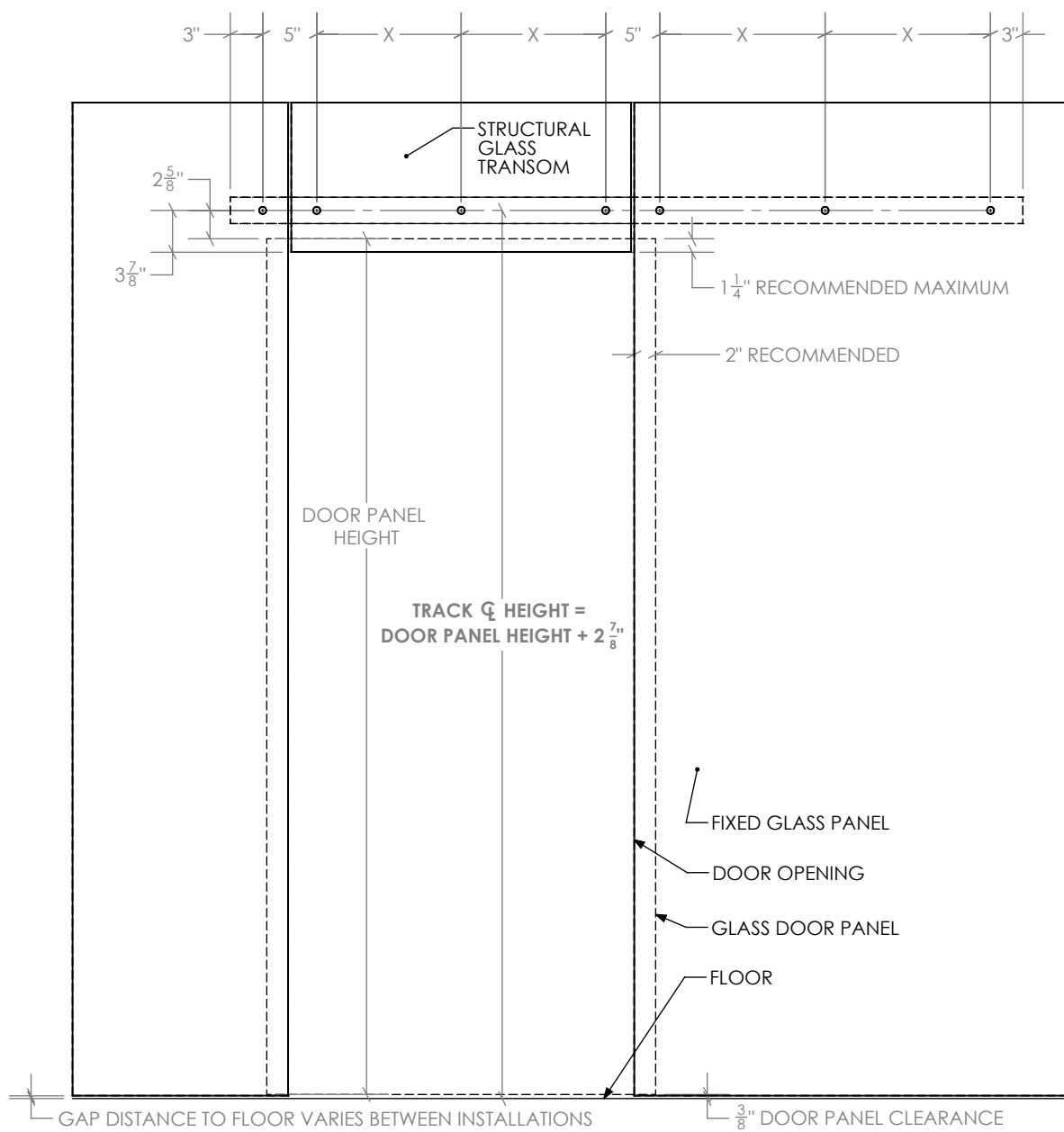
REFERENCE ASTM C1048, 7.9.5

SPAN (X)*	MAX. PANEL WEIGHT
UP TO 32"	200lb
UP TO 28"	400lb

* = SPANS TO BE EVENLY SPACED



DETAIL A
SCALE 1 : 4




DOCUMENT:	PRODUCT SPECIFICATIONS - PERPENDICULAR TRACK MOUNTING POINT
SYSTEM:	TRU-LEVEL™ TRACK
MOUNTING STYLE:	FRAMED WALL, TILED WALL, GLASS WALL

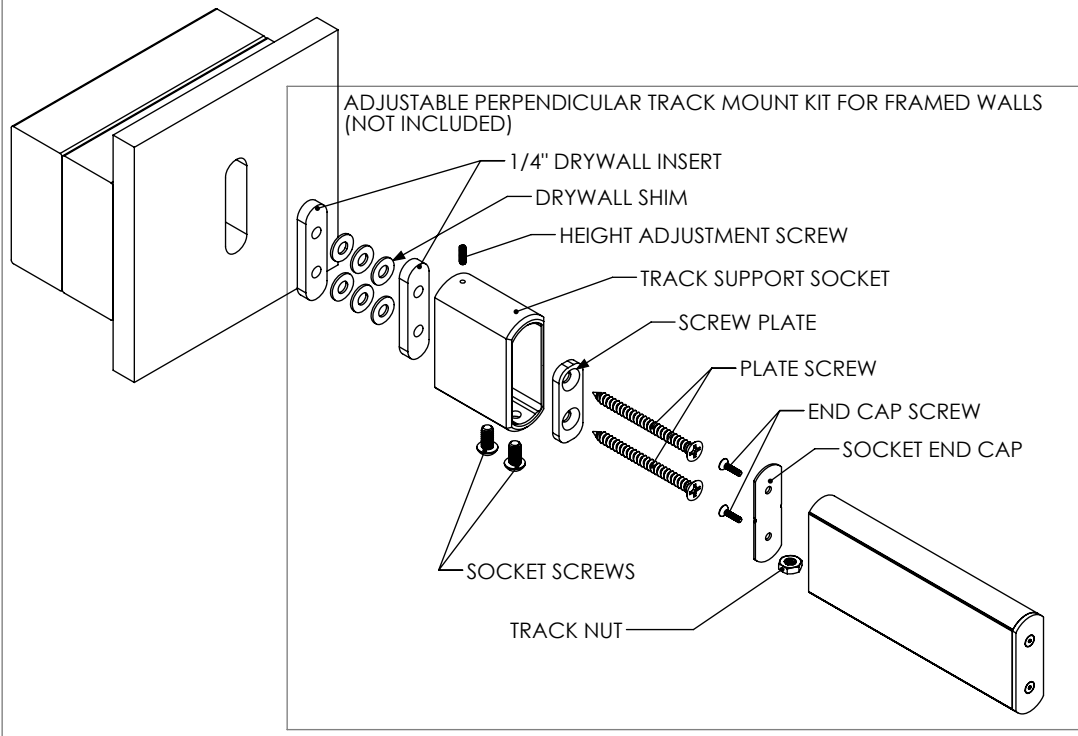
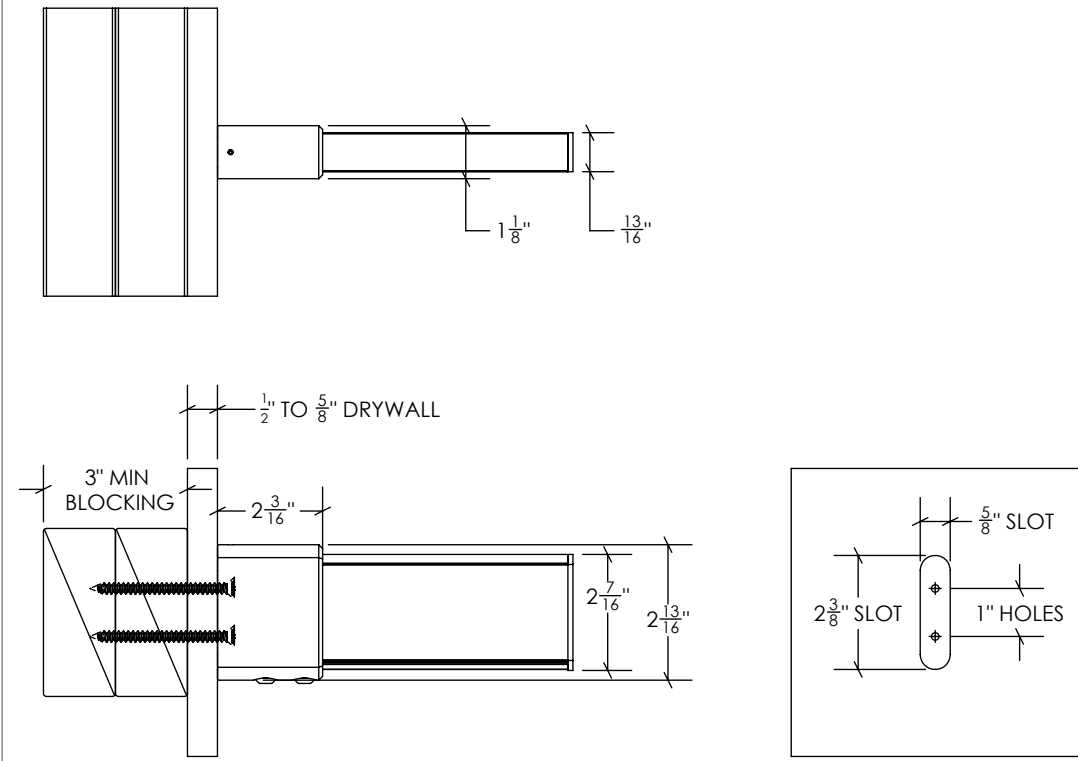
DOOR APPLICATION:	SINGLE, BI-PARTING, BYPASSING
PANEL THICKNESS:	3/8" TO 1/2" (CONTACT US FOR PANELS OUTSIDE OF THIS RANGE)
MAXIMUM WEIGHT:	TROLLEY SYSTEM AND TRACK CONFIGURATION DEPENDENT

DRAWING SCALE:	3/4" = 1'-0" (1:16)
UNITS:	INCHES
DATE:	11/16/2023

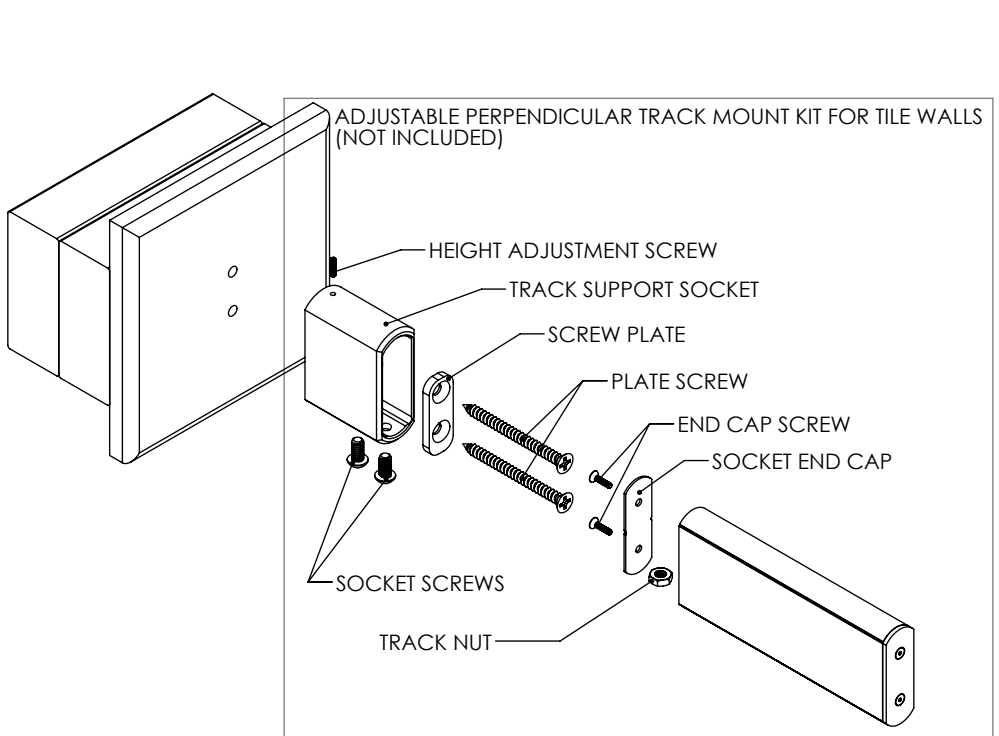
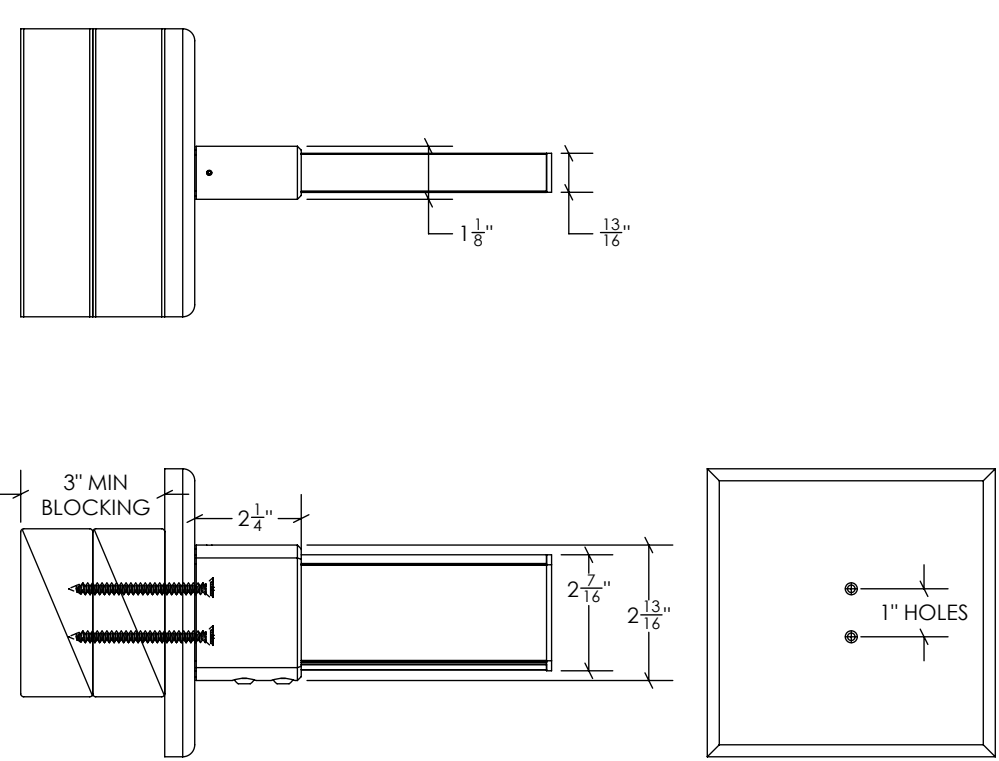
KROWNLAB
2351 NW York St.
Portland, OR 97210
+1 503 292 6998
www.krownlab.com
support@krownlab.com



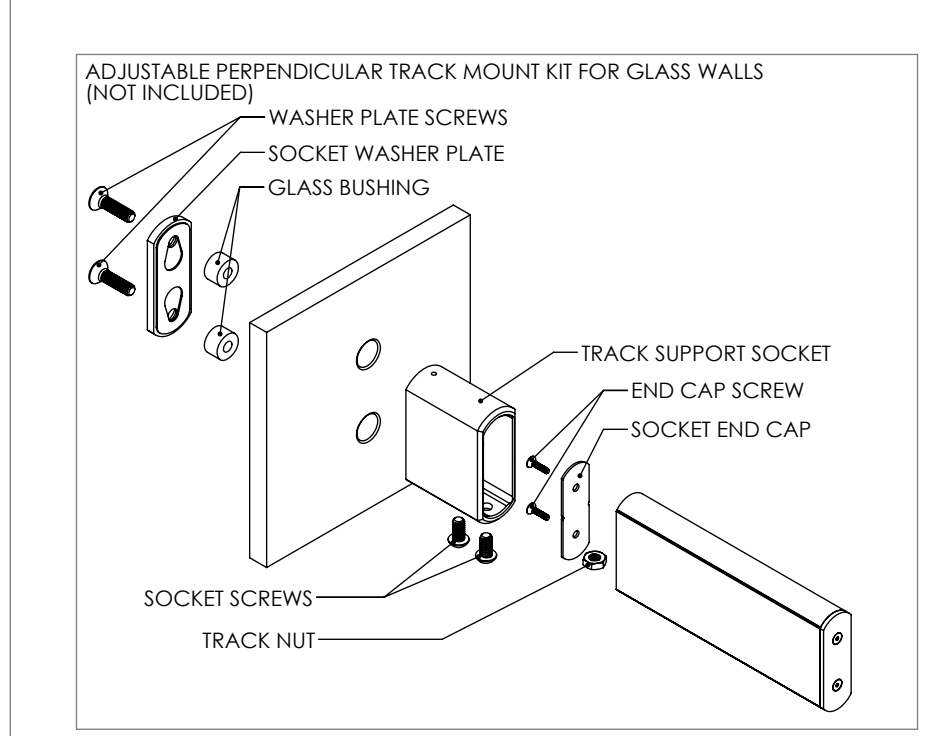
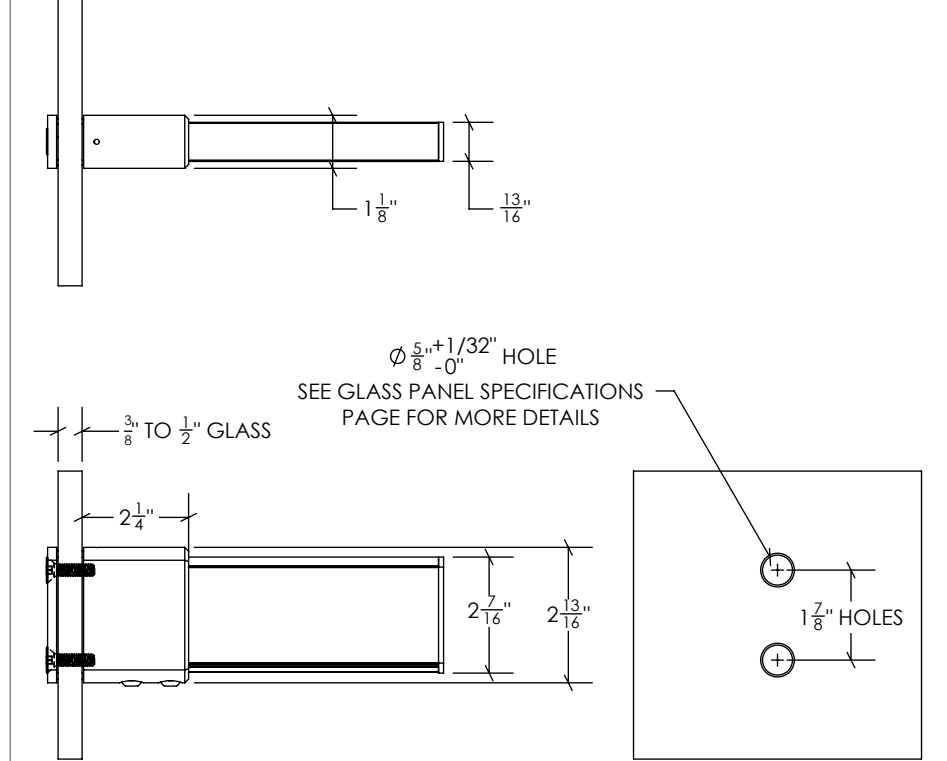
PERPENDICULAR FRAMED WALL
SCALE: 3" = 1'-0" (1:4)



PERPENDICULAR TILE WALL
SCALE: 3" = 1'-0" (1:4)



PERPENDICULAR GLASS WALL
SCALE: 3" = 1'-0" (1:4)



DOCUMENT:	PRODUCT SPECIFICATIONS - PERPENDICULAR GLASS WALL SPECIFICATIONS	DOOR APPLICATION:	SINGLE & BI-PARTING	DRAWING SCALE:	3/4" = 1'-0" (1:16)	KROWNLAB 2351 NW York St. Portland, OR 97210 +1 503 292 6998 www.krownlab.com support@krownlab.com
SYSTEM:	TRU-LEVEL™ TRACK	PANEL THICKNESS:	3/8" TO 1/2" (CONTACT US FOR PANELS OUTSIDE OF THIS RANGE)	UNITS:	INCHES	
MOUNTING STYLE:	GLASS WALL	MAXIMUM WEIGHT:	UP TO 400 LBS. TROLLEY SYSTEM OR TRACK CONFIGURATION DEPENDENT	DATE:	1/17/2024	



ALL GLASS PANELS AND FIXED MOUNTING HARDWARE MUST BE SOURCED THROUGH GLASS INSTALLER OR OTHER PARTY, AND MUST MEET THE FOLLOWING REQUIREMENTS:

THE KROWNLAB TRU-LEVEL™ TRACK SYSTEM IS COMPATIBLE WITH MONOLITHIC TEMPERED GLASS, 3/8" AND 1/2" IN THICKNESS. INQUIRE REGARDING THICKER GLASS.

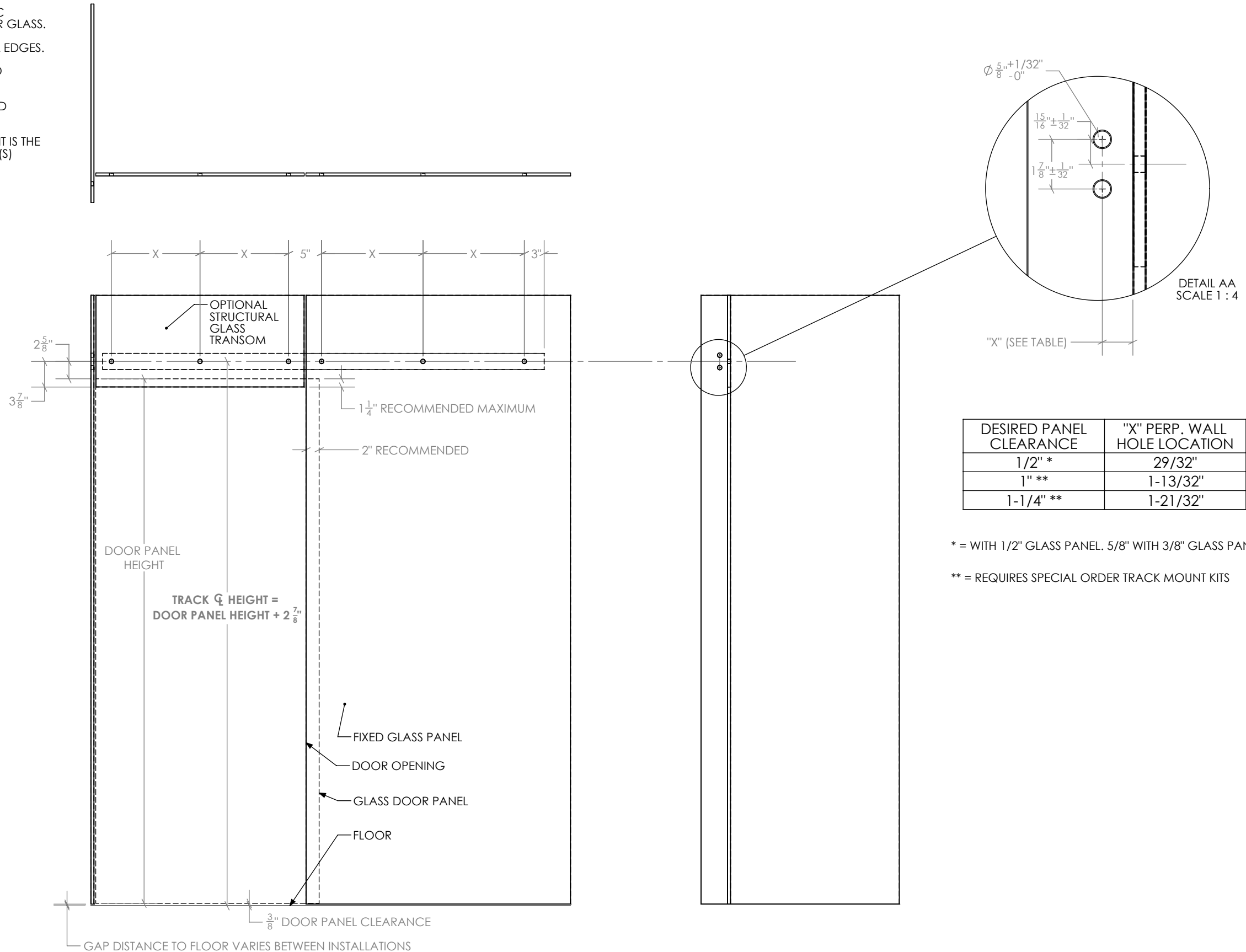
GLASS PANELS MUST BE FLAT POLISHED AND HAVE A 1MM CHAMFER ON ALL EDGES.

ALL HOLES MUST BE DRILLED OR CNC MACHINED WITH STRAIGHT WALLS AND SEAMED EDGES. DO NOT WATER-JET - NO TAPERED HOLES.

KROWNLAB TRU-LEVEL™ TRACK IS NOT A STRUCTURAL MEMBER. SIDE-LITES AND TRANSOMS MUST BE ENGINEERED TO SUPPORT KROWNLAB HARDWARE.

ALL TEMPERED GLASS IS SUBJECT TO EXPERIENCE SPONTANIOUS BREAKAGE. IT IS THE BUYERS RESPONSIBILITY TO DETERMINE AND APPROVE GLASS SPECIFICATION(S) SUITABLE TO MEET ALL FACTORS RELEVANT TO THEIR PARTICULAR USE OR APPLICATION IN CONJUNCTION WITH ALL KROWN LAB, INC.'S PRODUCTS.

REFERENCE ASTM C1048, 7.9.5



DOCUMENT:	PRODUCT SPECIFICATIONS - PERPENDICULAR TRACK MOUNTING POINT	DOOR APPLICATION:	SINGLE & BI-PARTING	DRAWING SCALE:	3/4" = 1'-0" (1:16)	KROWNLAB 2351 NW York St. Portland, OR 97210 +1 503 292 6998 www.krownlab.com support@krownlab.com
SYSTEM:	TRU-LEVEL™ TRACK	PANEL THICKNESS:	3/8" TO 1/2" (CONTACT US FOR PANELS OUTSIDE OF THIS RANGE)	UNITS:	INCHES	
MOUNTING STYLE:	GLASS WALL	MAXIMUM WEIGHT:	TROLLEY SYSTEM OR TRACK CONFIGURATION DEPENDENT	DATE:	1/17/2024	



**GLASS WALL TO PERPENDICULAR WALL
(WITHOUT TRANSOM)**

SPAN (X)	MAX. PANEL WEIGHT
UP TO 38"	300lb
UP TO 44"	275lb
UP TO 50"	250lb
UP TO 62"	225lb

