

DOOR GUIDE

ADJUSTABLE WOOD DOOR GUIDE

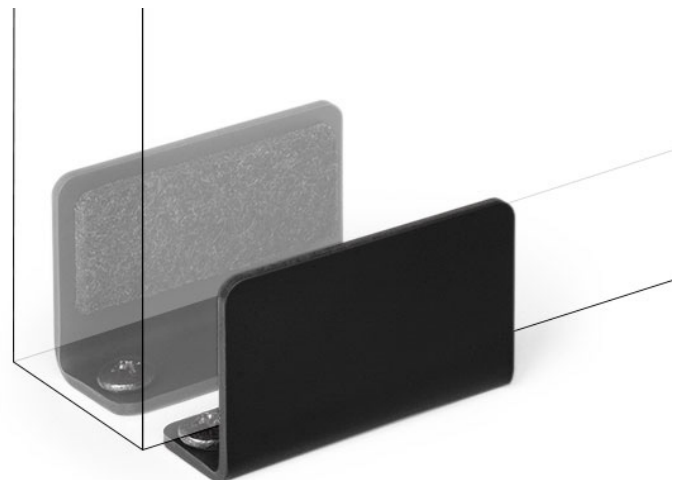
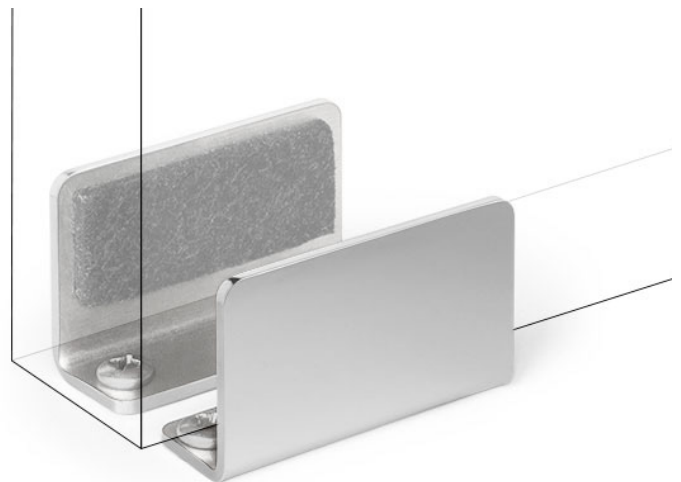
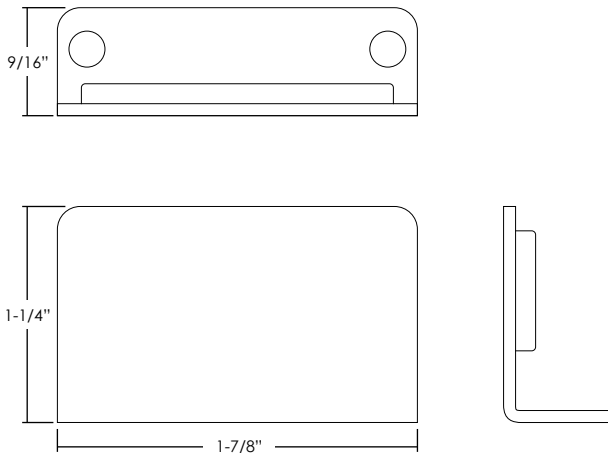
Fully adjustable door guide specifically designed for sliding wood doors to accommodate any door thickness. Made in the USA and manufactured from stainless steel with a fine linear grained finish.

FEATURES

- Manufactured from high-quality 300-series stainless steel.
- Durable inserts ensures smooth and quiet operation.
- Eliminates need to route channel in bottom of door.
- Comes in multiple finishes to match your system hardware.
- Mounts to most surfaces.
- 10 year commercial warranty.

SPECIFICATIONS

- Compatible with doors 1" and thicker.
- Felt and plastic insert options available.
- Fasteners included.

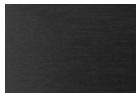


QUICK LOOK

FINISH OPTIONS



Brushed Stainless



Black Stainless

DOOR PANEL COMPATIBILITY

Compatible with wood panels 1" and thicker.

MORE INFORMATION

For more information: www.krownlab.com/accessories

ORDERING AND PRICING

For inquiries or to place orders, please contact: support@krownlab.com, or call +1 503 292 6998
Trade discounts and volume pricing available.