



# AXEL

## FACE MOUNT

Our simple, rugged interpretation of the original flat track sliding barn door hardware system. Featuring a field-customizable track and solid steel construction, Axel brings durability and beauty to a wide range of projects.

### UNIQUE FEATURES

- Exposed 2-3/4" bearings
- Cut and drill track in field with commonly available tools (Raw and Black Steel Only)
- Completely customizable door travel
- Made in USA

### TRACK

- 70", 94", and 116"
- Mix and match stock track lengths for installations where longer track is needed
- Predrilled or undrilled

### COMPATIBLE WALL TYPES

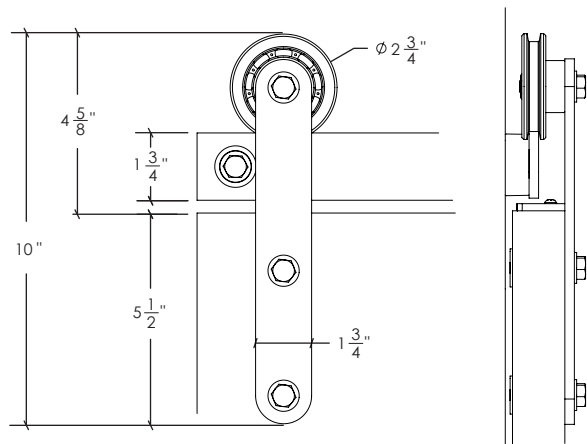
- Framed Wood Wall (blocking required)
- Concrete
- Steel Beam

### OPTIONAL ACCESSORIES

- Door Pulls
- Drywall Inserts
- Shim Kits
- Bottom Stop
- Bottom Guide Channel
- Floating Door Stop

### TECHNICAL DETAILS

- Below ADA requirement for pull force at full weight
- Panel thickness: 3/4" to 2" (contact us for panels outside this range)
- 10 year warranty



## QUICK LOOK

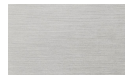
### FINISH OPTIONS



Raw Steel

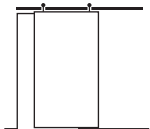


Black Steel

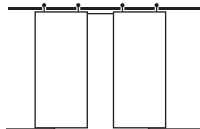


Brushed Stainless

### CONFIGURATIONS



Single



Bi-Parting

### WEIGHT CAPACITY

200lb (contact us if your door panel is heavier)

### VOLUME PRICING

Available for orders over 10 units

### ORDERING

To order Axle Face Mount, contact:  
[support@krownlab.com](mailto:support@krownlab.com)  
 503-292-6998

### MORE INFORMATION

For all spec sheets visit:  
[www.krownlab.com/axel](http://www.krownlab.com/axel)