



AXEL

FACE MOUNT

A strikingly simple and modern interpretation of the century-old flat track barn door hardware system. Featuring a field-customizable track and a raw industrial aesthetic with exposed bearings. Made in the USA from high-quality mild or stainless steel.

FEATURES

- High precision bearings provide silky-smooth door travel.
- Low profile design, provides highly versatile use.
- Accommodates wood, metal-clad, and composite doors.
- ADA compatible door pull force at full panel weight.
- Designed in Portland, OR. Proudly Made In The USA.
- 10 year commercial warranty.

SPECIFICATIONS

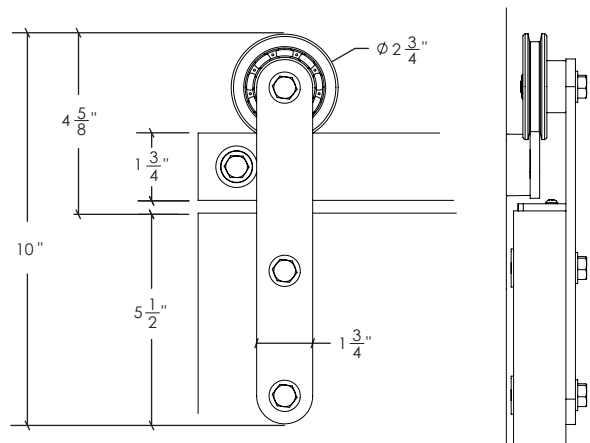
- Available in standard track lengths: 6' (70"), 8' (94"), 10' (116").
- Cut and drill track in field with commonly available tools. (Raw and Black Steel Only)
- Accommodates framed walls, concrete, and structural steel.
- Customize door travel on site.

WHAT'S INCLUDED

- 1 x track system with all necessary mounting hardware.
 - 2 x door stops.
 - 2 x trolleys with all necessary door mounting hardware.
 - 1 x door bottom guide.
- Visit our website for all compatible options and add-ons.

DETAILS

- For door panels 3/4" to 2" in thickness. Choose Top Mount for thicker panels.
- Standard 200 lb door weight capacity. Contact us for heavier door panels.



QUICK LOOK

FINISH OPTIONS



Raw Steel

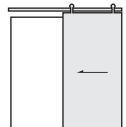


Black Steel

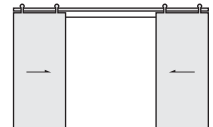


Brushed Stainless

CONFIGURATIONS



Single



Bi-Part

WEIGHT CAPACITY

200 lb per panel. Contact us for heavier door panels.

DOOR PANEL COMPATIBILITY

Wood, metal-clad, and composite door panels.

MORE INFORMATION

For more information visit: www.krownlab.com/axel

ORDERING AND PRICING

For inquiries or to place orders, please contact: support@krownlab.com, or call +1 503 292 6998
Trade discounts and volume pricing available.