
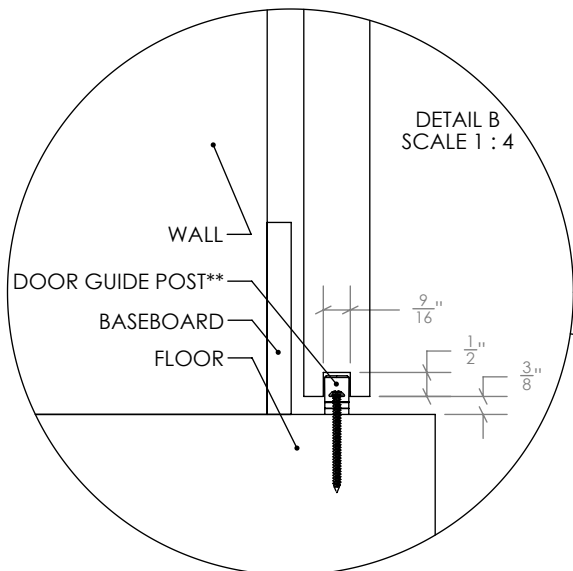
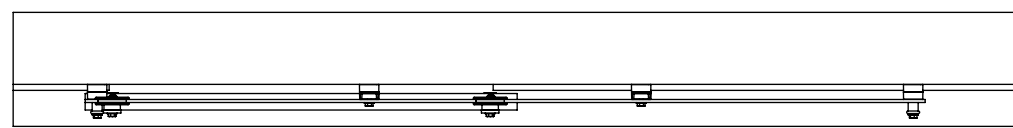
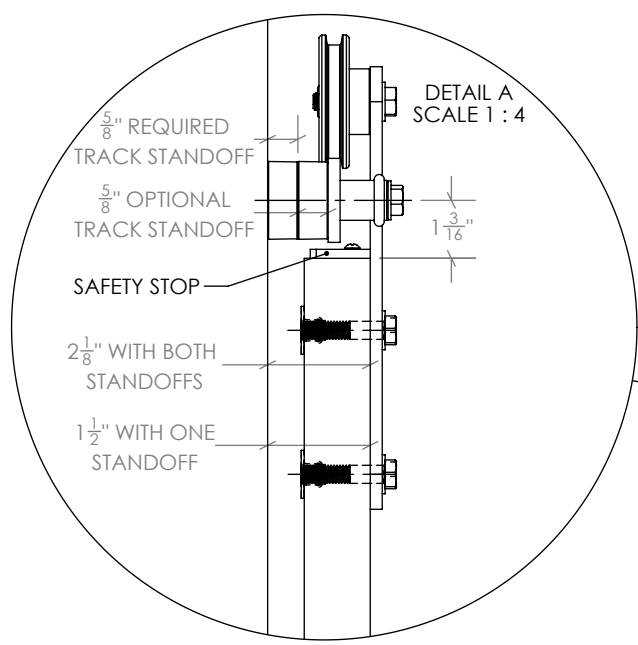
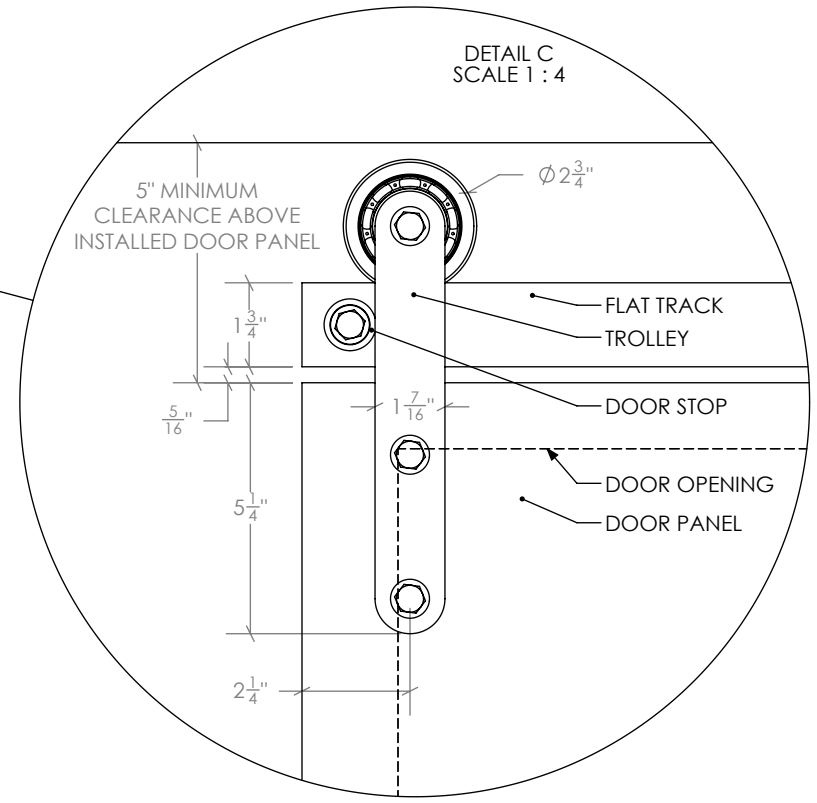
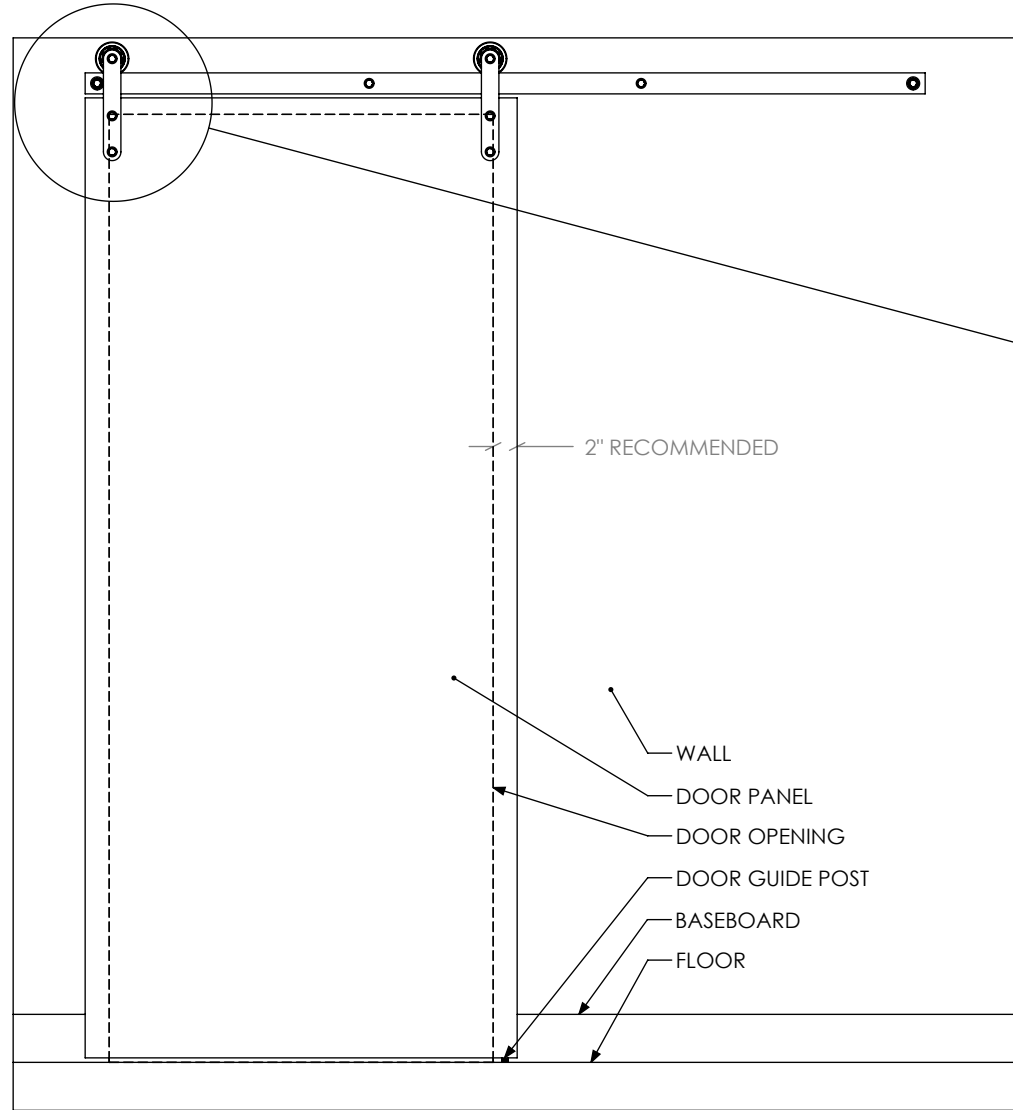
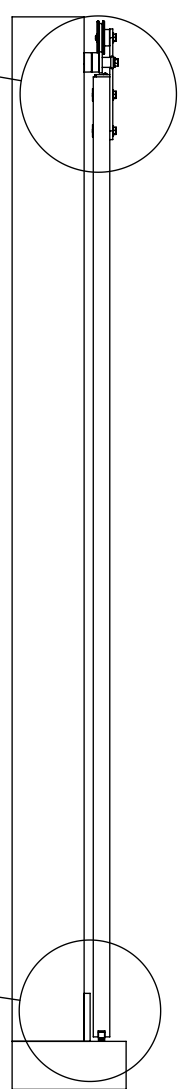



DOCUMENT:	PRODUCT SPECIFICATIONS	DOOR APPLICATION:	SINGLE & BI-PARTING	DRAWING SCALE:	3/4" = 1'-0" (1:16)	KROWNLAB 2351 NW York St. Portland, OR 97210 +1 503 292 6998 www.krownlab.com support@krownlab.com	
SYSTEM:	AXEL	PANEL THICKNESS:	3/4" - 2"	UNITS:	INCHES		
MOUNTING STYLE:	FACE MOUNT	MAXIMUM WEIGHT:	200LBS (CONTACT US FOR HEAVIER PANELS)	DATE:	4/8/2019		

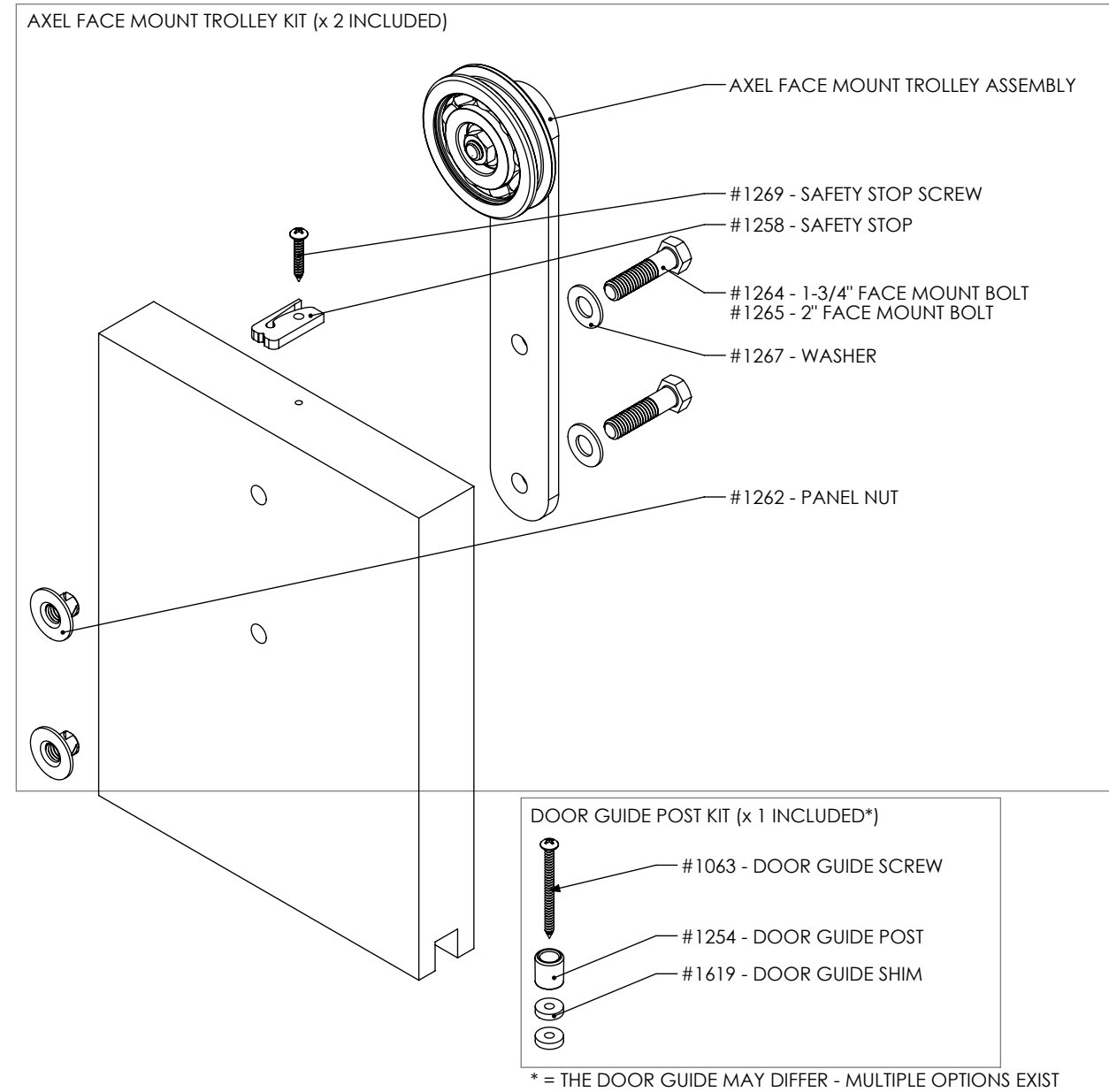
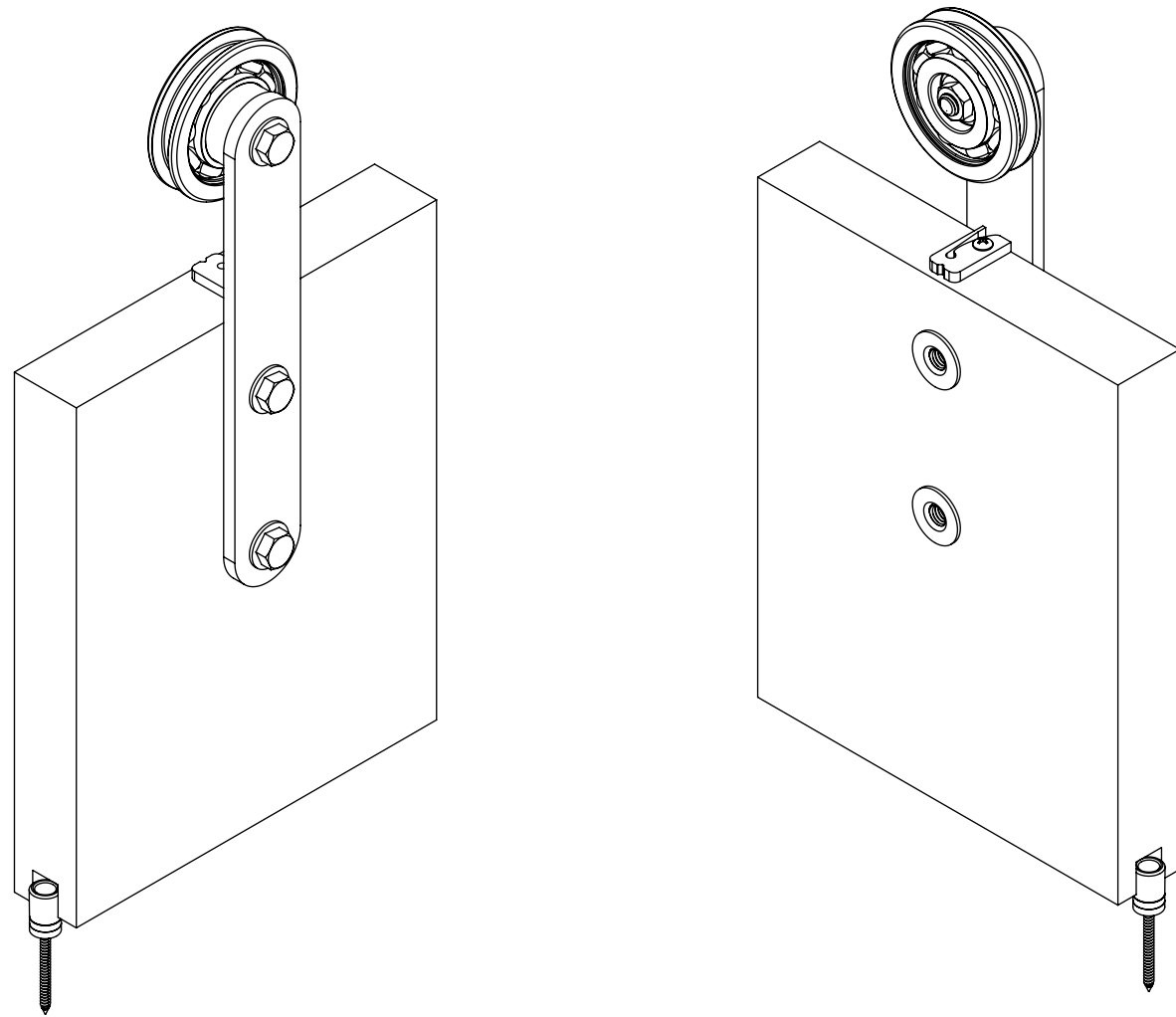



** = DOOR GUIDE MAY DIFFER



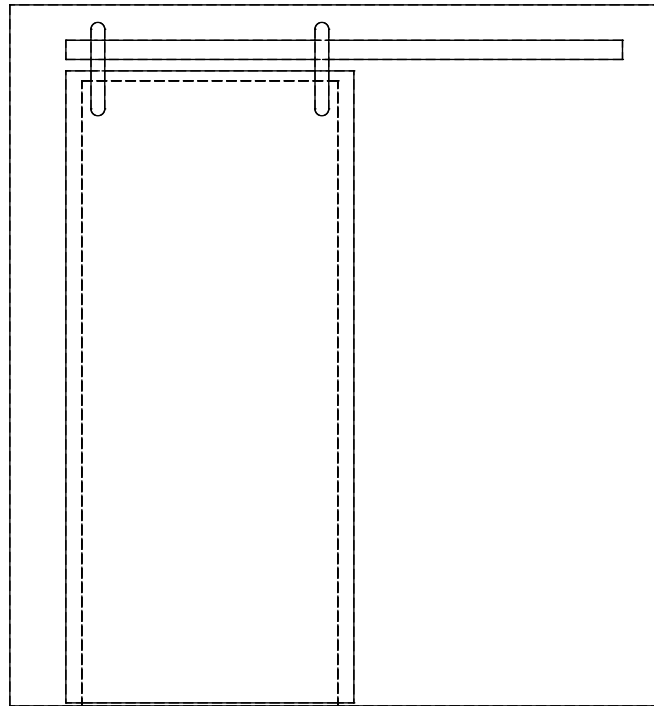
DOCUMENT:	PRODUCT SPECIFICATIONS	DOOR APPLICATION:	SINGLE & BI-PARTING	DRAWING SCALE:	4" = 1'-0" (1:3)	KROWNLAB 2351 NW York St. Portland, OR 97210 +1 503 292 6998 www.krownlab.com support@krownlab.com	
SYSTEM:	AXEL	PANEL THICKNESS:	1-3/8" MINIMUM	UNITS:	INCHES		
MOUNTING STYLE:	FACE MOUNT	MAXIMUM WEIGHT:	200LBS (CONTACT US FOR HEAVIER PANELS)	DATE:	1/14/2019		

WHAT'S INCLUDED:
 2 x - AXEL FACE MOUNT TROLLEY KIT
 1 x - DOOR GUIDE POST KIT (DOOR GUIDE MAY DIFFER - MULTIPLE OPTIONS EXIST)
 1 x - FLAT TRACK SYSTEM WITH ALL MOUNTING HARDWARE (SEE SEPARATE PAGE)

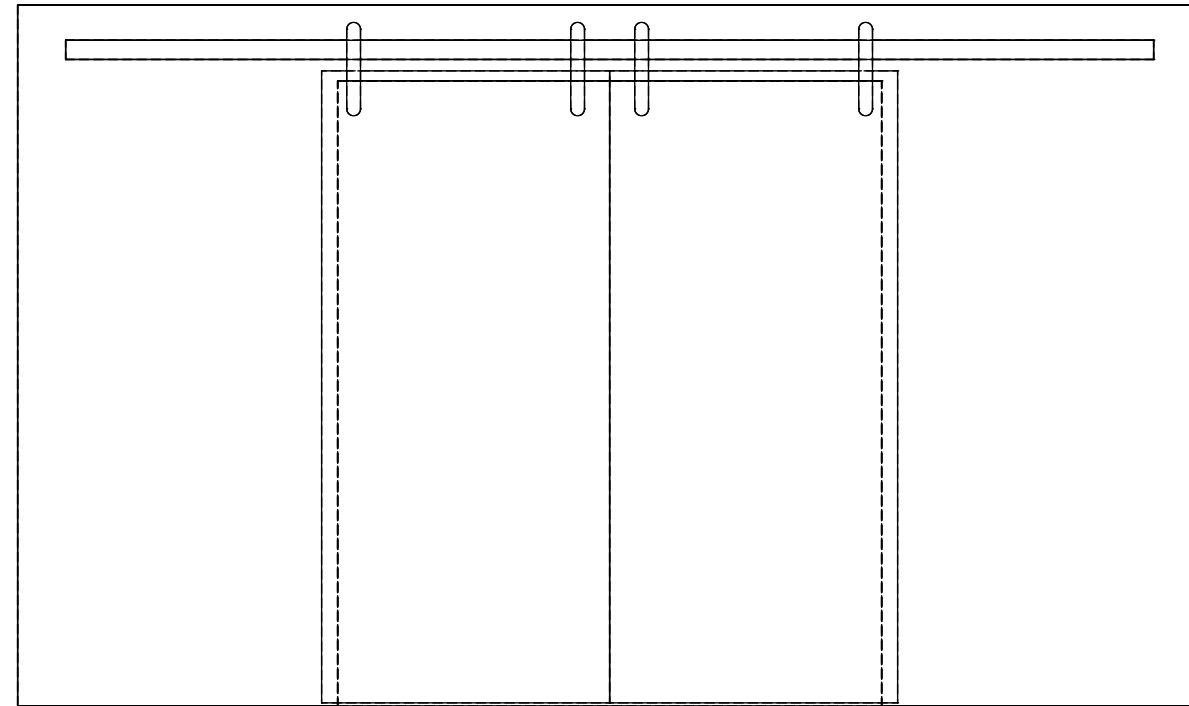



DOCUMENT:	PRODUCT SPECIFICATIONS - DOOR CONFIGURATIONS	DOOR APPLICATION:	SINGLE & BI-PARTING	DRAWING SCALE:	1/2" = 1'-0" (1:24)	KROWNLAB 2351 NW York St. Portland, OR 97210 +1 503 292 6998 www.krownlab.com support@krownlab.com	
SYSTEM:	FLAT TRACK	PANEL THICKNESS:	TROLLEY SYSTEM DEPENDENT	UNITS:	INCHES		
MOUNTING STYLE:	FRAMED WALL	MAXIMUM WEIGHT:	200LBS (CONTACT US FOR HEAVIER PANELS)	DATE:	1/14/2019		

SINGLE

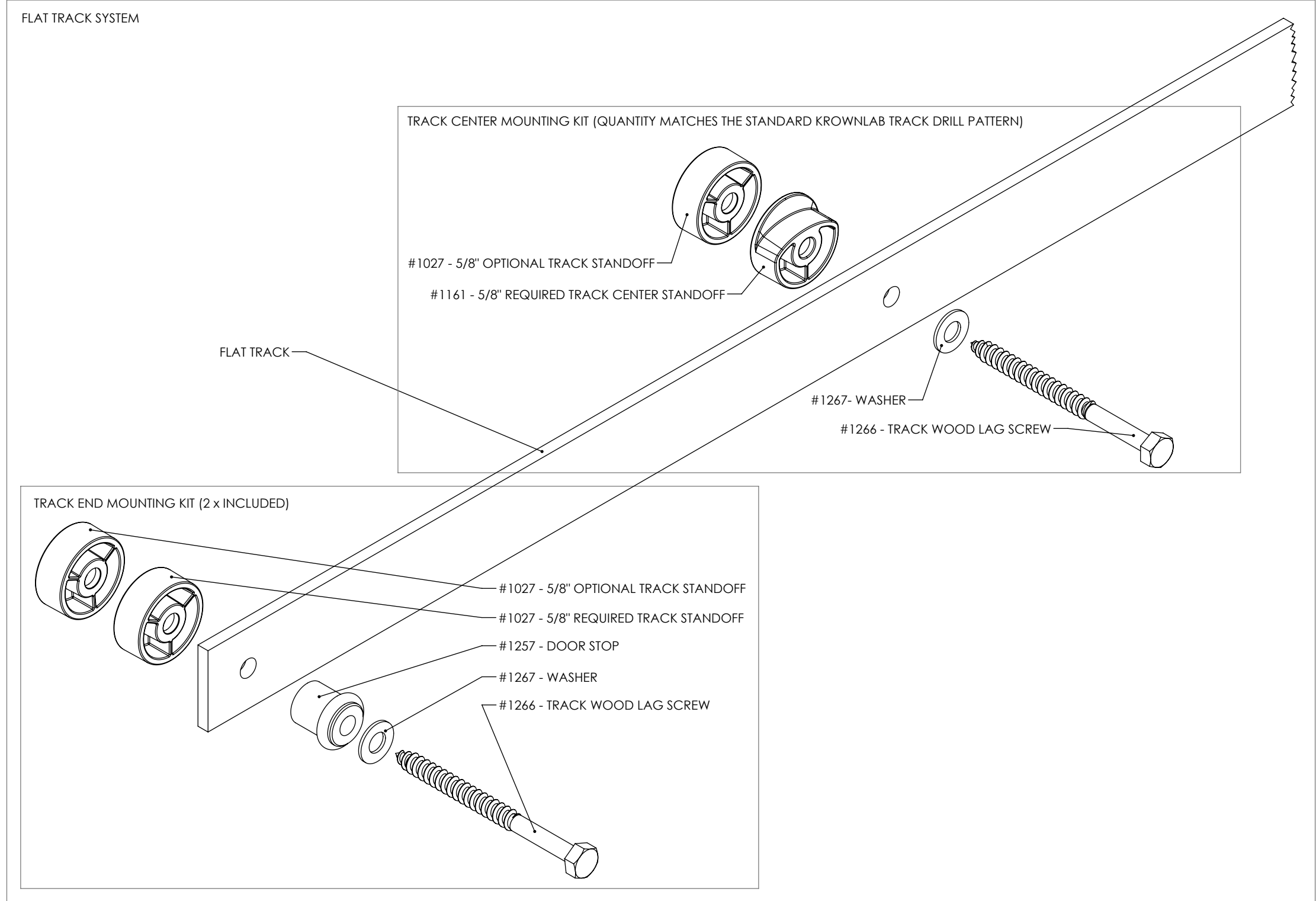
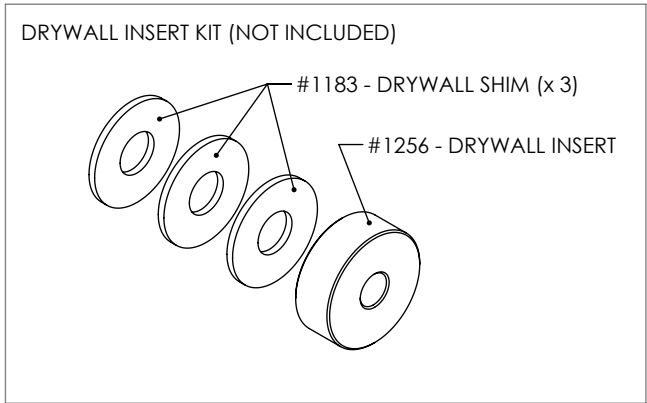
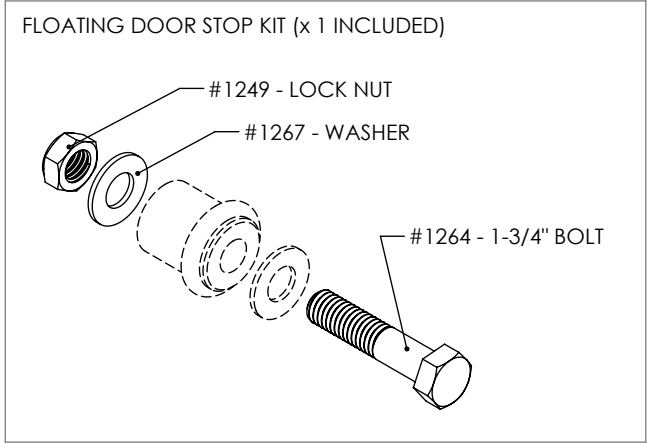



BI-PARTING



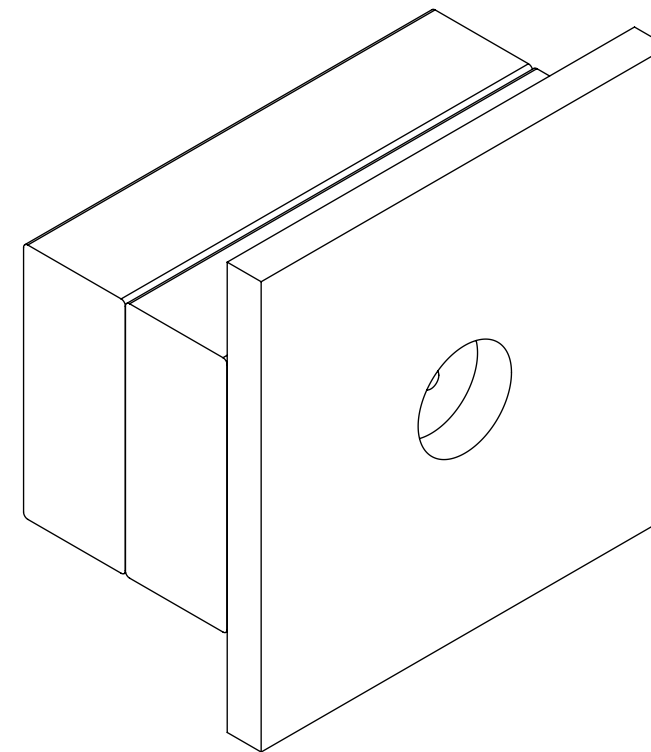
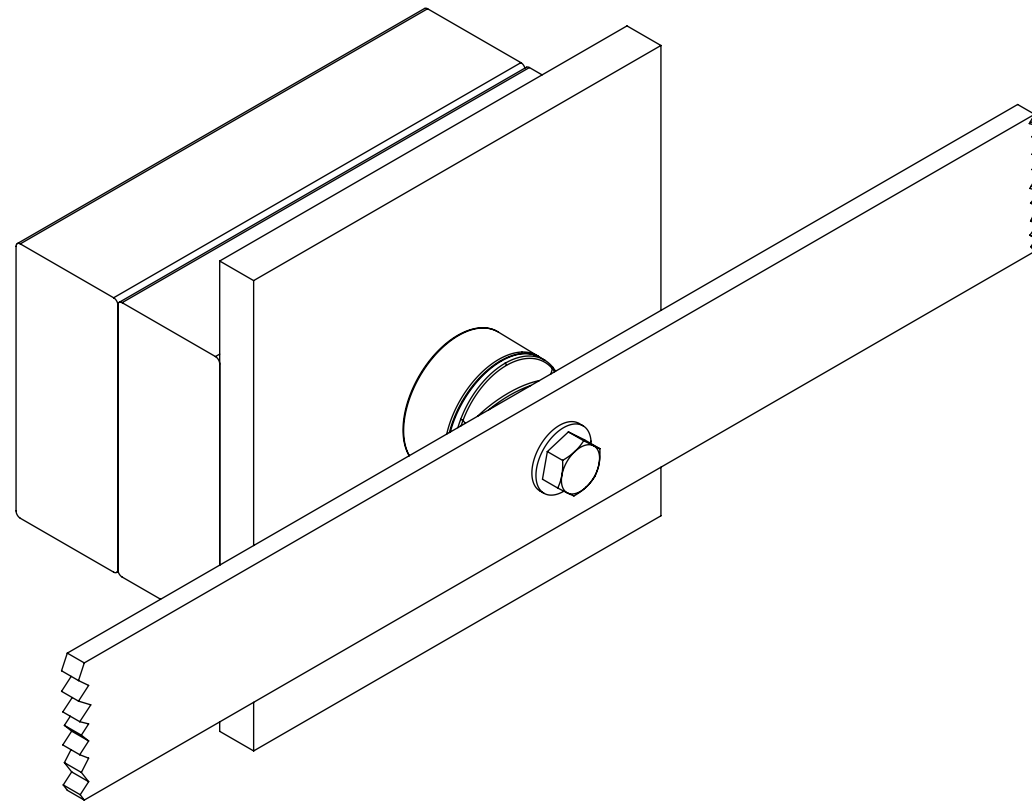
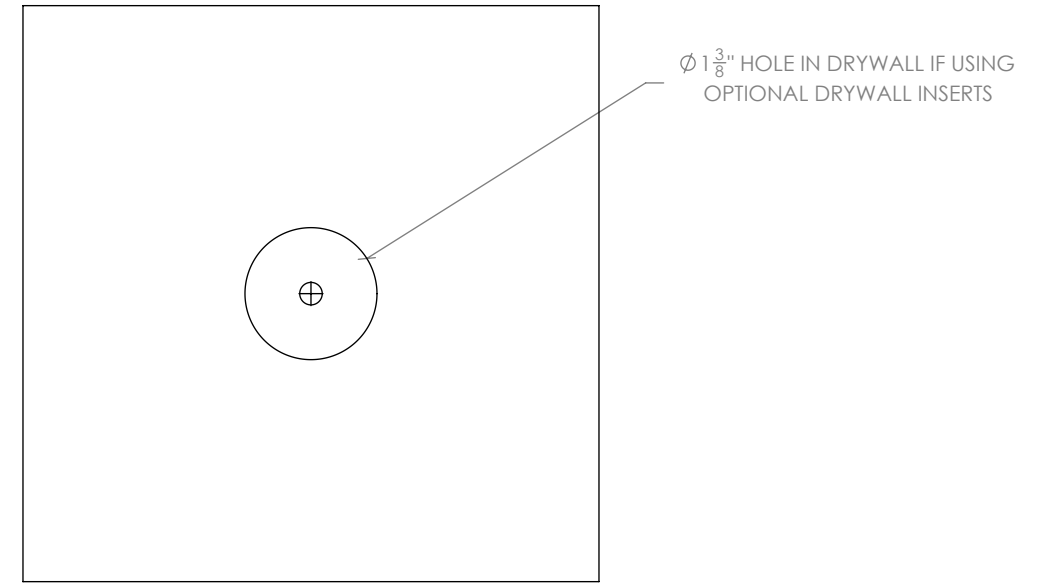
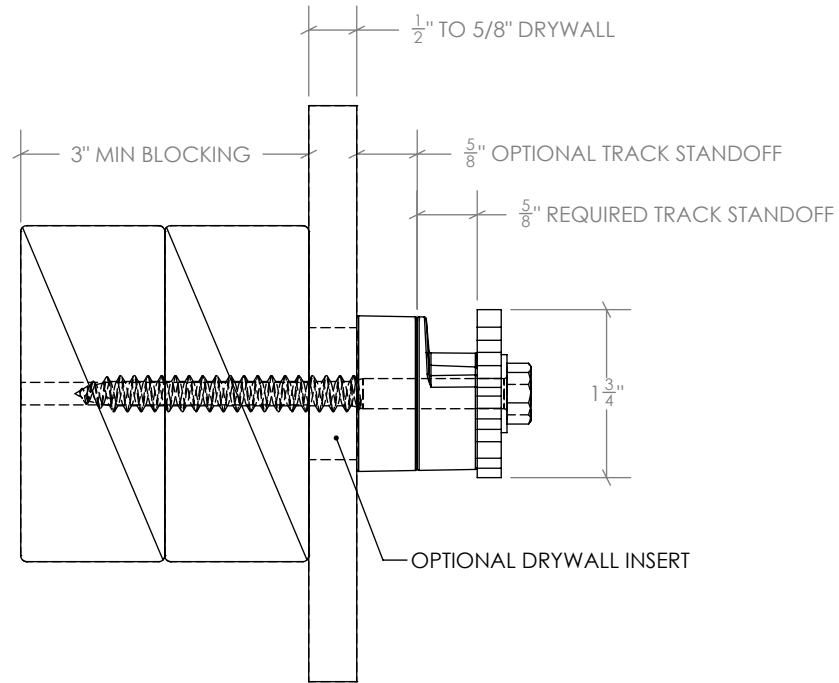
DOCUMENT:	PRODUCT SPECIFICATIONS	DOOR APPLICATION:	SINGLE & BI-PARTING	DRAWING SCALE:	6" = 1'-0" (1:2)	KROWNLAB 2351 NW York St. Portland, OR 97210 +1 503 292 6998 www.krownlab.com support@krownlab.com	 <small>PDX - ORE</small>
SYSTEM:	FLAT TRACK	PANEL THICKNESS:	TROLLEY SYSTEM DEPENDENT	UNITS:	INCHES		
MOUNTING STYLE:	FRAMED WALL	MAXIMUM WEIGHT:	200LBS (CONTACT US FOR HEAVIER PANELS)	DATE:	1/14/2019		

WHAT'S INCLUDED:
 1 x - FLAT TRACK SYSTEM WITH ALL MOUNTING HARDWARE:
 2 x - TRACK END MOUNTING KIT
 X x - TRACK CENTER MOUNTING KIT
 1 x - FLOATING DOOR STOP KIT



DOCUMENT:	PRODUCT SPECIFICATIONS - TRACK MOUNTING POINT	DOOR APPLICATION:	SINGLE & BI-PARTING	DRAWING SCALE:	6" = 1'-0" (1:2)	KROWNLAB 2351 NW York St. Portland, OR 97210 +1 503 292 6998 www.krownlab.com support@krownlab.com	
SYSTEM:	FLAT TRACK	PANEL THICKNESS:	TROLLEY SYSTEM DEPENDENT	UNITS:	INCHES		
MOUNTING STYLE:	FRAMED WALL	MAXIMUM WEIGHT:	200LBS (CONTACT US FOR HEAVIER PANELS)	DATE:	1/14/2019		

TRACK CENTER MOUNTING POINT SHOWN BELOW.
 TRACK END MOUNTING POINT ONLY DIFFERS IN APPEARANCE.



DOCUMENT:	PRODUCT SPECIFICATIONS - TRACK LENGTHS	DOOR APPLICATION:	SINGLE & BI-PARTING	DRAWING SCALE:	1-1/2" = 1'-0" (1:8)	KROWNLAB 2351 NW York St. Portland, OR 97210 +1 503 292 6998 www.krownlab.com support@krownlab.com
SYSTEM:	FLAT TRACK	PANEL THICKNESS:	TROLLEY SYSTEM DEPENDENT	UNITS:	INCHES	
MOUNTING STYLE:	FRAMED WALL	MAXIMUM WEIGHT:	200LBS (CONTACT US FOR HEAVIER PANELS)	DATE:	1/14/2019	

