



# BALDUR

## FACE MOUNT

Combine iconic beauty with unparalleled functional performance. Patented hubless wheels and the Tru-Level track system sets the benchmark for barn door hardware. Made in the USA from high-grade stainless steel and billet aluminum.

### FEATURES

- Fast and easy installs with the Tru-Level™ system, providing a full 1/4" vertical and lateral adjustment at all mounting points.
- Easily set and readjust door travel on site, even after install.
- High precision bearings provide silent and smooth door travel.
- Accommodates glass, wood, metal-clad, and composite doors.
- ADA compatible door pull force at full panel weight.
- Designed in Portland, OR. Proudly Made In The USA.
- 10 year commercial warranty.

### SPECIFICATIONS

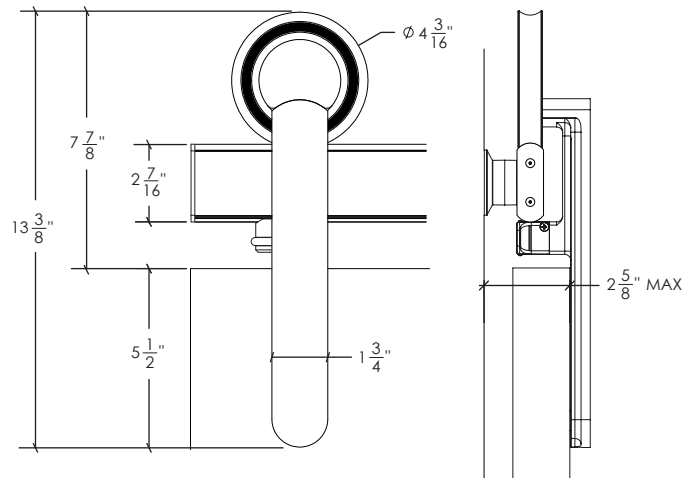
- Single track lengths available up to 12' (142").
- Multiple tracks can easily be joined together on site.
- Tracks comes predrilled or undrilled.
- Made-to-measure available for any length and drill pattern.
- Easily modify track length on site with common tools.
- Accommodates glass and framed walls.

### WHAT'S INCLUDED

- 1 x track system with all necessary mounting hardware.
  - 2 x door stops.
  - 2 x trolleys with all necessary door mounting hardware.
  - 1 x door bottom guide
- Visit our website for all compatible options and add-ons.

### DETAILS

- For door panels 1-1/4" to 1-3/4" in thickness, with up to 3/4" wide base board. Choose Top Mount for thicker panels.
- Standard 550 lb door weight capacity. Contact us for heavier door panels.



### QUICK LOOK

#### FINISH OPTIONS

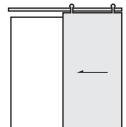


Brushed Stainless

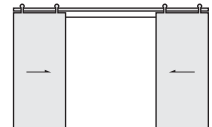


Black Stainless

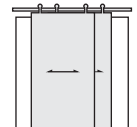
#### CONFIGURATIONS



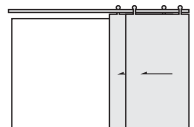
Single



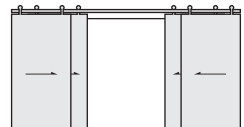
Bi-Part



Bypass



Bypass Stacked



Bi-Part Bypass

#### WEIGHT CAPACITY

550 lb per panel. Contact us for heavier door panels.

#### DOOR PANEL COMPATIBILITY

Glass, wood, metal-clad, and composite door panels.

#### MORE INFORMATION

For more information visit: [www.krownlab.com/baldur](http://www.krownlab.com/baldur)

#### ORDERING AND PRICING

For inquiries or to place orders, please contact: [support@krownlab.com](mailto:support@krownlab.com), or call +1 503 292 6998  
Trade discounts and volume pricing available.