



GLASS GUIDE

BASIC GLASS DOOR GUIDE

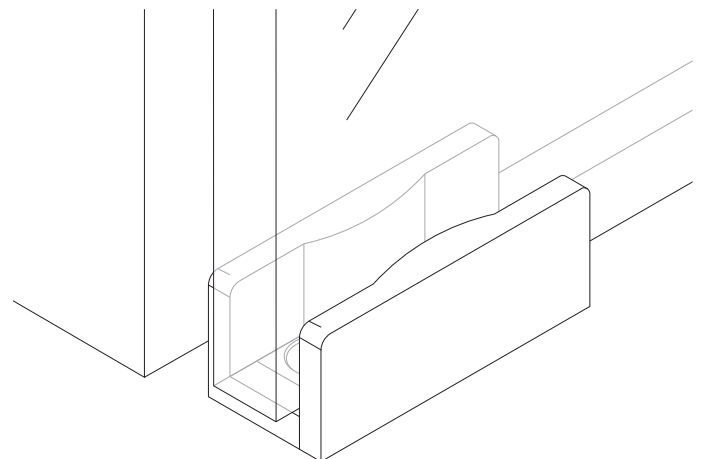
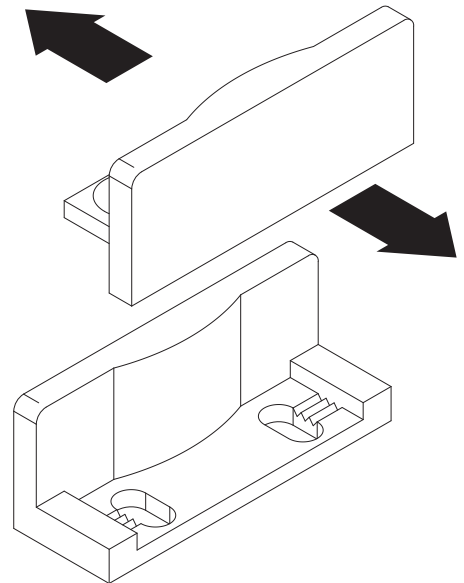
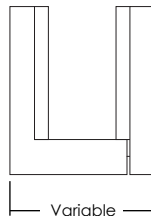
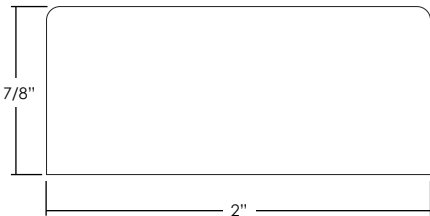
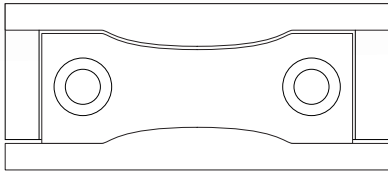
Fully adjustable door guide specifically designed for sliding glass doors to accommodate all common thicknesses. Made out of durable plastic with a matte black finish.

FEATURES

- Manufactured from solid durable plastic.
- Adjustability ensures smooth and quiet operation.
- Mounts to most surfaces.
- 10 year commercial warranty.

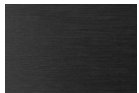
SPECIFICATIONS

- Compatible with 3/8" to 3/4" glass thickness.
- Fasteners included.



QUICK LOOK

FINISH OPTIONS



Black

DOOR PANEL COMPATIBILITY

Compatible with 3/8" to 3/4" glass thickness.

MORE INFORMATION

For more information: www.krownlab.com/accessories

ORDERING AND PRICING

For inquiries or to place orders, please contact: support@krownlab.com, or call +1 503 292 6998
Trade discounts and volume pricing available.