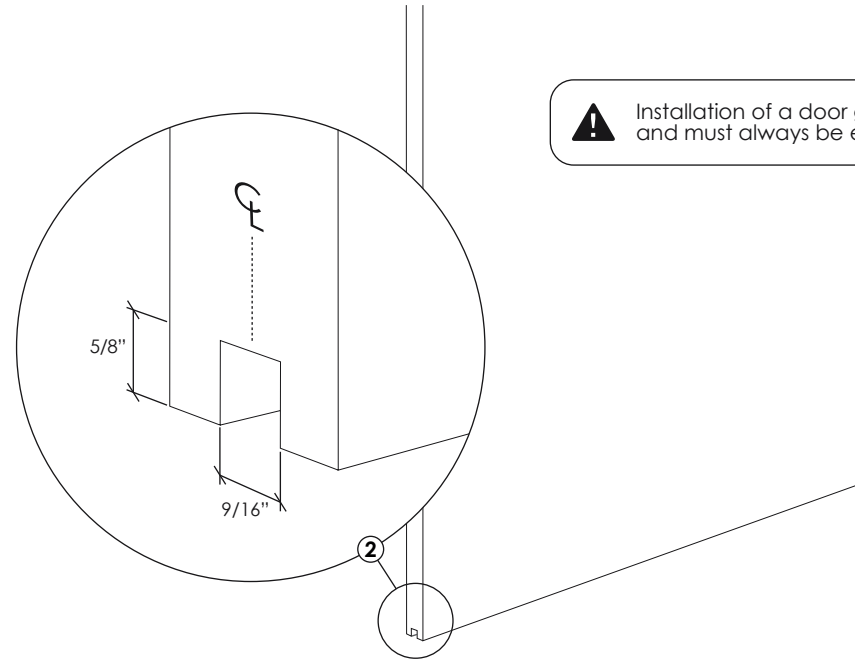
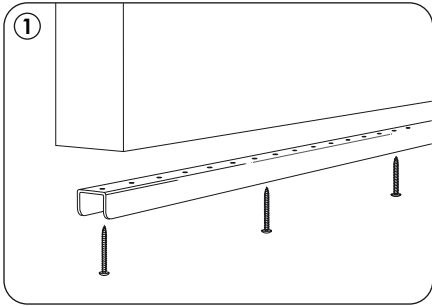


## A. PREPARE DOOR FOR DOOR GUIDE

- 1 **If you have purchased an optional door guide channel**, attach it using the screws supplied. If necessary, cut the length of the channel to match the width of the door panel.
- 2 **If you have not purchased an optional door guide channel**, route the bottom of your door panel along its entire length, as shown.



**!** Installation of a door guide is required, and must always be engaged for safety.

## B. RETURN TO INSTRUCTION

Do not install door guide yet. Proceed to next step until directed to refer to this page again.

## C. INSTALL DOOR GUIDE

Door guide may vary.

- 1 With the door in the desired closed position, mark the leading edge of your door panel.
- 2 With the door in the desired open position, mark the trailing edge of your door panel.
- 3 Temporarily move the door panel beyond the fully open position, revealing the overlap area.
- 4 Install the door guide post in the overlap area. Position the post at the appropriate distance from the wall so that the panel hangs plumb.
- 5 You can now install your door pulls and other door hardware.



Installation of door guide is mandatory. Door panel has to be engaged by door guide along its entire travel. Door has to be installed plumb.

**!** Not following the below instructions can cause a hazardous condition.

