



INGER

FLUSH MOUNT

A distinctly unique architectural door pull, designed specifically for sliding door applications. Made in the USA from high-quality aluminum and stainless steel.

FEATURES

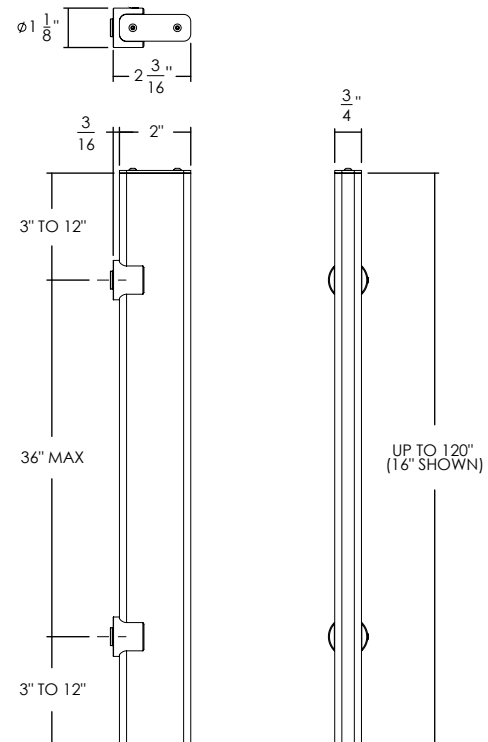
- Designed specifically for sliding door applications, intuitively preventing users from pushing or pulling on the door.
- Fully concealed fasteners for a clean elegant look.
- Flexible spacing between mounting points for easy installation.
- Accommodates glass, wood, metal-clad, and composite doors.
- Available in single and double-sided configurations.
- Manufactured from solid stainless steel with a circular grain and high-quality aluminum with a fine linear grained texture.
- Finishes match Krownlab's sliding barn door systems.
- Designed in Portland, OR. Proudly Made In The USA.
- 10 year commercial warranty.
- ADA compatible for use with closed fist.

SPECIFICATIONS

- Standard lengths are 16", 24" and 48". Can be customized to any lengths between 12" and 120".
- Compatible with glass panels 3/8" to 1/2" in thickness. Contact us for panels outside of this thickness range.
- Compatible with wood panels up to 3" in thickness. Contact us for thicker panels.

WHAT'S INCLUDED

- 1 x complete door pull(s)
- 1 x all necessary mounting hardware for selected door panel.



QUICK LOOK

FINISH OPTIONS



Brushed Stainless

Black Stainless

LENGTHS

Available in 16", 24" and 48" standard lengths. Any custom length between 12" and 120".

CONFIGURATIONS

Available in single and double-sided configurations.

DOOR PANEL COMPATIBILITY

Glass, wood, metal-clad, and composite door panels.

MORE INFORMATION

For more information visit: www.krownlab.com/inger

ORDERING AND PRICING

For inquiries or to place orders, please contact: support@krownlab.com, or call +1 503 292 6998. Trade discounts and volume pricing available.