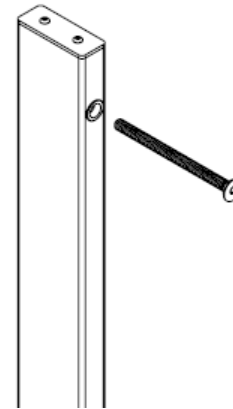


# INGER INSTALLATION INSTRUCTIONS

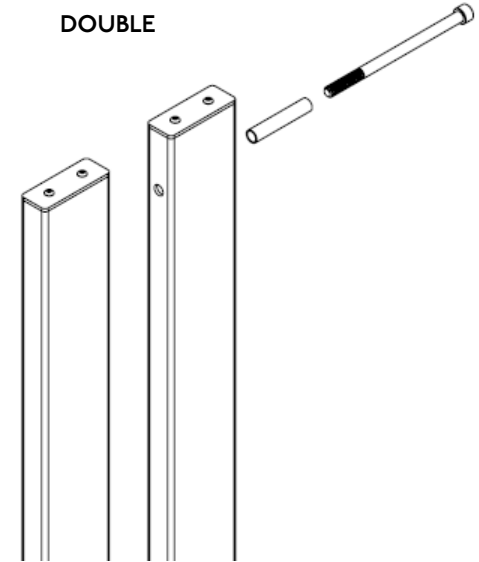
## WOOD PANELS

- (!) Prepare the door by drilling holes at desired locations based on product hole spacing.
- ① Reference the relevant Inger configuration on the right.
  - ② Install all components as shown without tightening fasteners all the way.
  - ③ Ensure all parts are lining up properly.
  - ④ Softly tighten mounting screws to 30 inch-lbs (2.5 ft-lbs).

### SINGLE



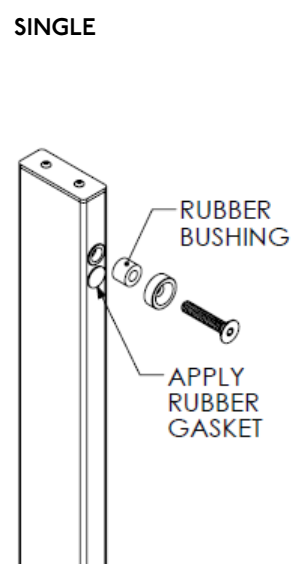
### DOUBLE



## GLASS PANELS

- (!) Reference the Inger Product Specifications document to confirm hole specifications.
- ① Reference the relevant Inger configuration on the right.
  - ② Apply the provided rubber gaskets in the locations shown at each mounting point.
  - ③ Install all components as shown without tightening fasteners all the way.
- (!) The rubber bushings must be used inside the glass panel.
- ④ Ensure all parts are lining up properly.
  - ⑤ Softly tighten mounting screws to 30 inch-lbs (2.5 ft-lbs).

### SINGLE



### DOUBLE

