

DOCUMENT: PRODUCT SPECIFICATIONS	DOOR APPLICATION: SINGLE, BI-PARTING, BYPASSING	DRAWING SCALE: 3" = 1'-0" (1:4)	KROWNLAB 2351 NW York St. Portland, OR 97210 +1 503 292 6998 www.krownlab.com support@krownlab.com
SYSTEM: INGER	PANEL THICKNESS: SEE TABLE BELOW	UNITS: INCHES	
MOUNTING STYLE: WOOD AND GLASS	MAXIMUM WEIGHT: TROLLEY SYSTEM OR TRACK CONFIGURATION DEPENDENT	DATE: 10/19/2018	



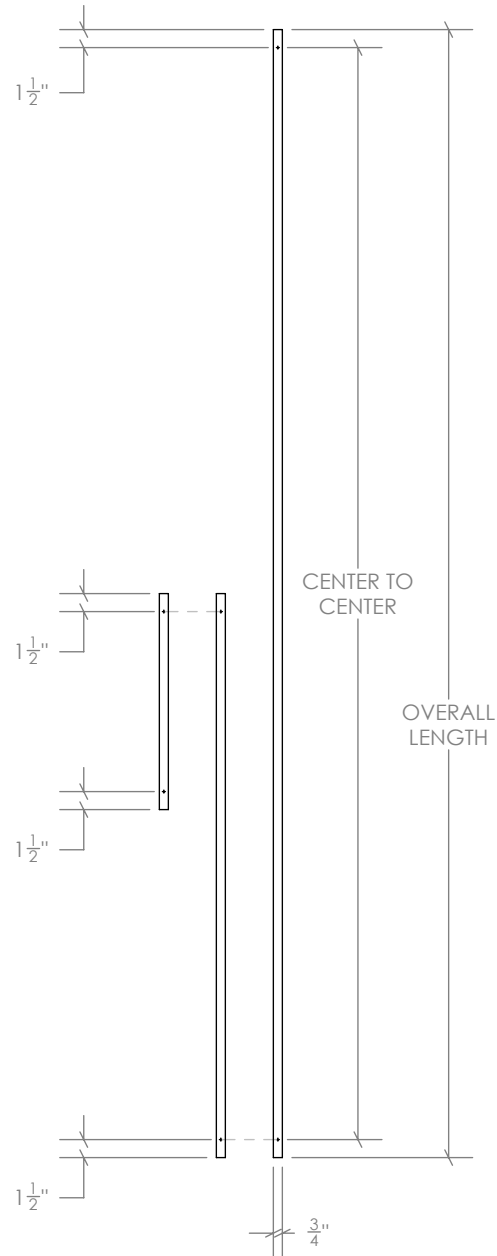
AVAILABLE IN 3 STANDARD LENGTHS:

OVERALL LENGTH	CENTER TO CENTER
18"	15"
47"	44"
94" *	91" *

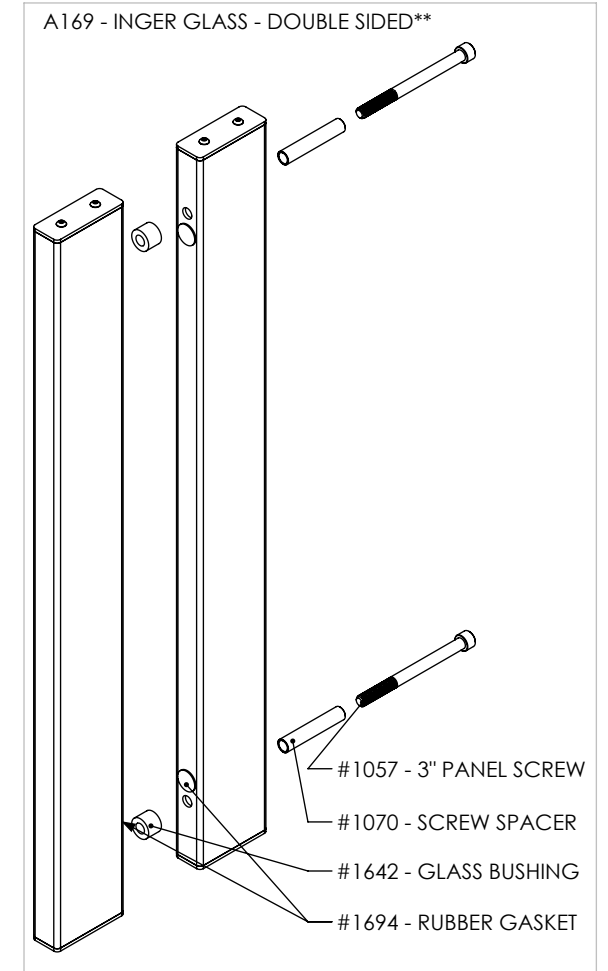
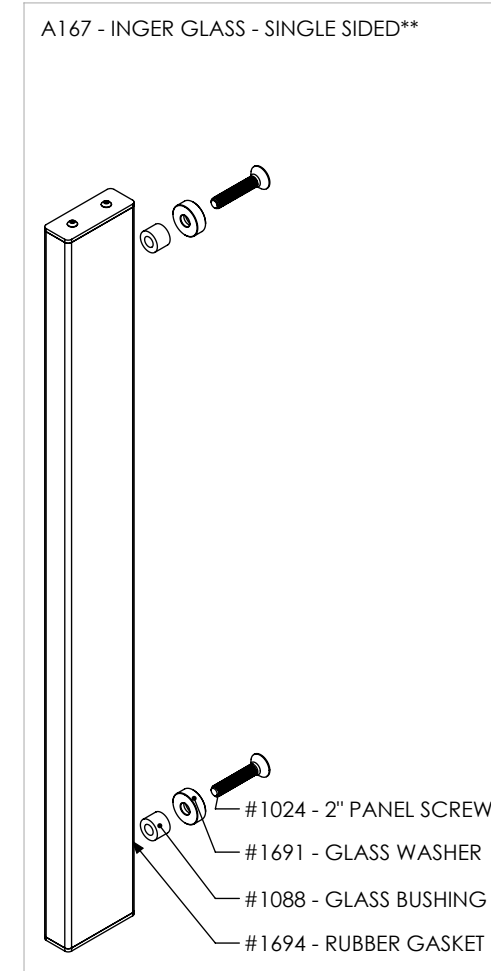
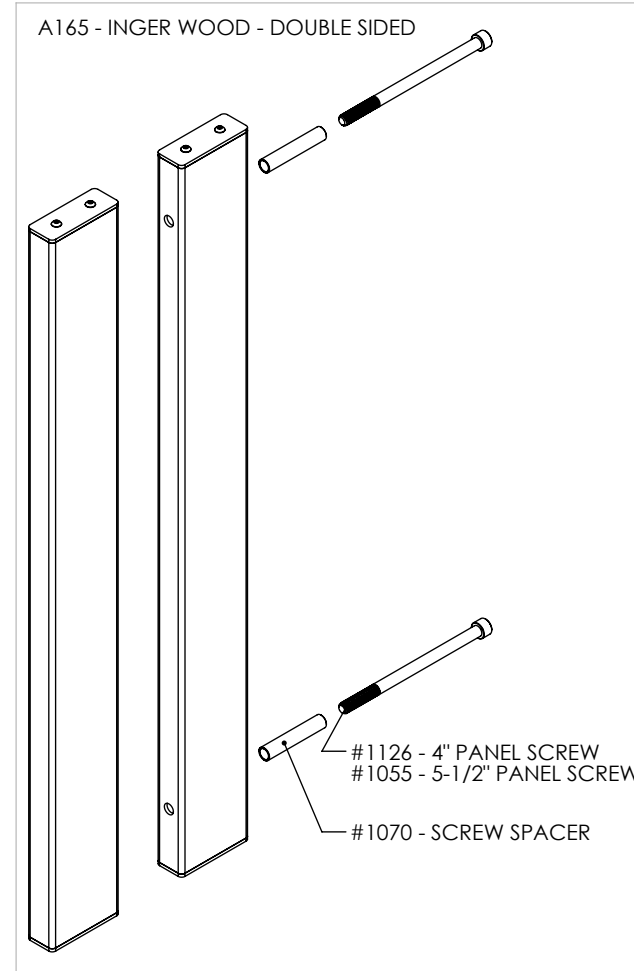
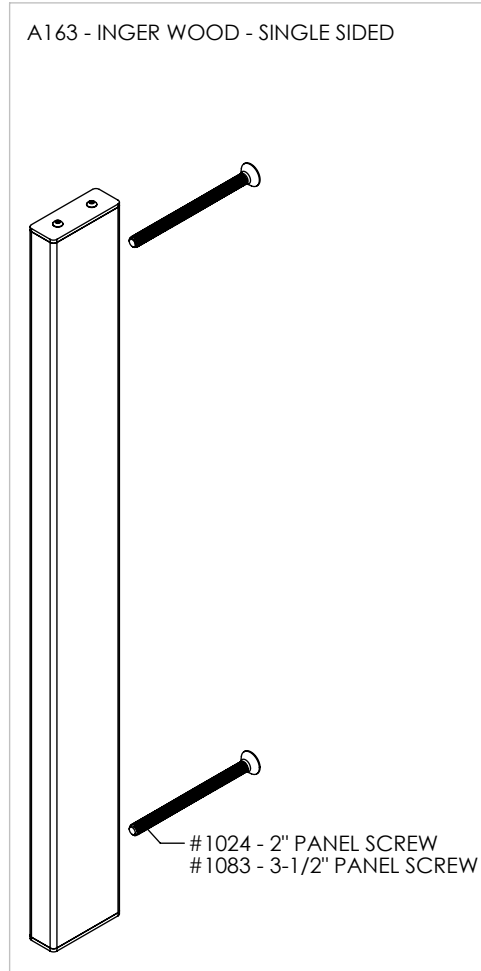
DOOR PANEL THICKNESS RANGE

WOOD	GLASS
1" TO 3"	3/8" TO 5/8"

CONTACT US FOR PANELS OUTSIDE OF THIS RANGE



SCALE 3/4"=1' (1:16)



* = BRUSHED STAINLESS ONLY. NOT AVAILABLE IN BLACK STAINLESS.
** = SEE NEXT PAGE FOR MORE GLASS INFORMATION

DOCUMENT: PRODUCT SPECIFICATIONS	DOOR APPLICATION: SINGLE, BI-PARTING, BYPASSING	DRAWING SCALE: 3/4" = 1'-0" (1:16)	KROWNLAB 2351 NW York St. Portland, OR 97210 +1 503 292 6998 www.krownlab.com support@krownlab.com
SYSTEM: INGER	PANEL THICKNESS: 3/8" TO 5/8" (CONTACT US FOR PANELS OUTSIDE OF THIS RANGE)	UNITS: INCHES	
MOUNTING STYLE: GLASS	MAXIMUM WEIGHT: TROLLEY SYSTEM OR TRACK CONFIGURATION DEPENDENT	DATE: 10/19/2018	



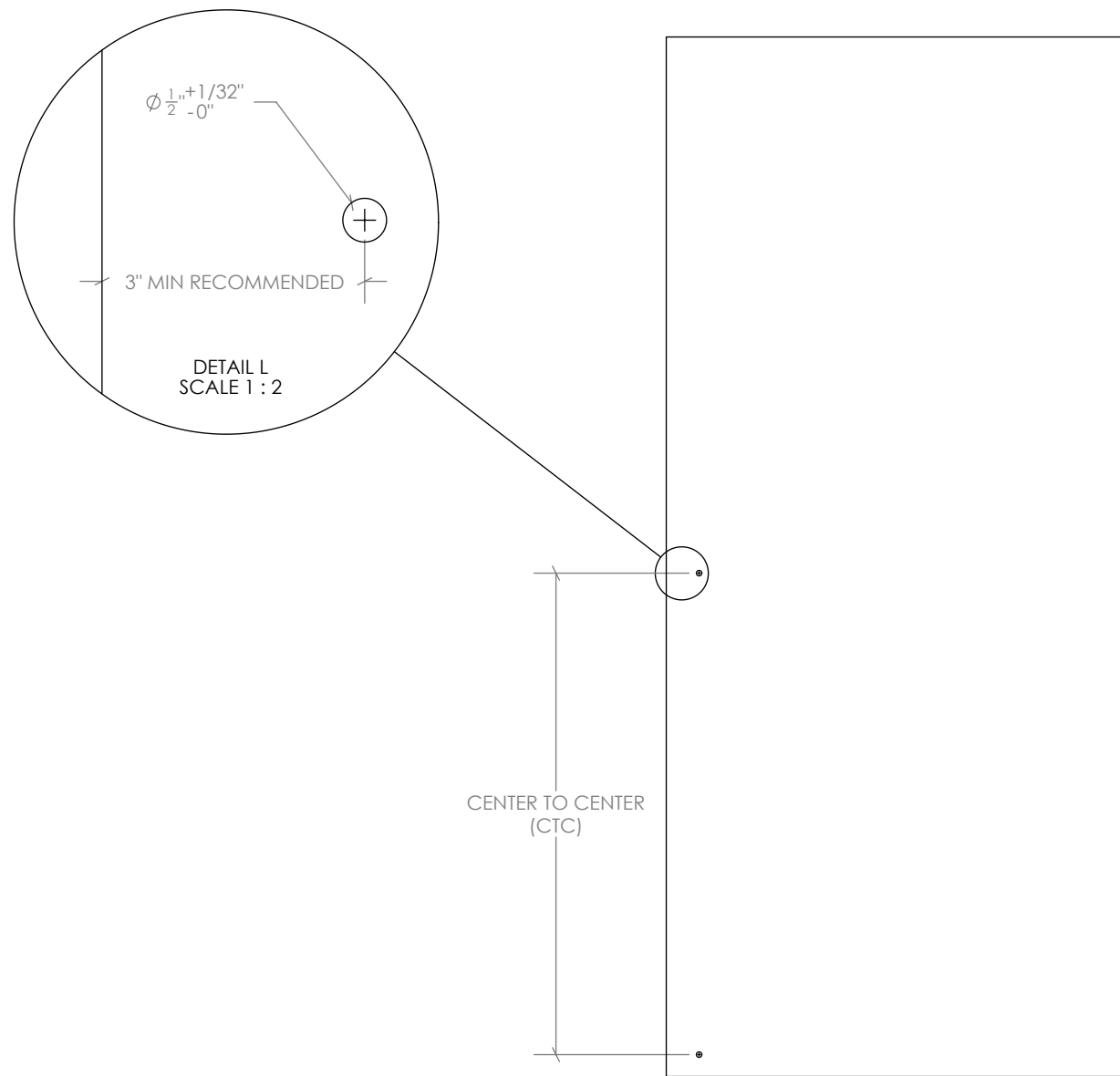
GLASS PANELS MUST BE FLAT POLISHED AND HAVE A 1MM CHAMFER ON ALL EDGES.

ALL HOLES MUST BE DRILLED OR CNC MACHINED WITH STRAIGHT WALLS AND SEAMED EDGES. DO NOT WATER-JET - NO TAPERED HOLES.

ALL TEMPERED GLASS IS SUBJECT TO EXPERIENCE SPONTANIOUS BREAKAGE. IT IS THE BUYERS RESPONSIBILITY TO DETERMINE AND APPROVE GLASS SPECIFICATION(S) SUITABLE TO MEET ALL FACTORS RELEVANT TO THEIR PARTICULAR USE OR APPLICATION IN CONJUNCTION WITH ALL KROWN LAB, INC.'S PRODUCTS.

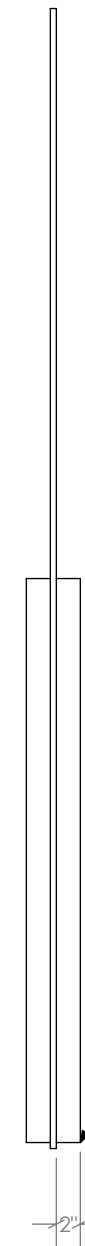
REFERENCE ASTM C1048, 7.9.5

47" VERSION SHOWN BELOW



SINGLE SIDED

DOUBLE SIDED



ALLOW FOR DOOR GUIDE CLEARANCE IF APPLICABLE.