

|                                  |   |                                 |   |
|----------------------------------|---|---------------------------------|---|
| DOCUMENT: PRODUCT SPECIFICATIONS | DOOR APPLICATION: SINGLE, BI-PARTING, BYPASSING                 | DRAWING SCALE: 3" = 1'-0" (1:4) | KROWNLAB<br>2351 NW York St.<br>Portland, OR 97210<br>+1 503 292 6998<br>www.krownlab.com<br>support@krownlab.com |
| SYSTEM: INGER DOOR PULL          | PANEL THICKNESS: SEE TABLE BELOW                                | UNITS: INCHES                   |   |
| MOUNTING STYLE: WOOD AND GLASS   | MAXIMUM WEIGHT: TROLLEY SYSTEM OR TRACK CONFIGURATION DEPENDENT | DATE: 12/11/2018                |   |



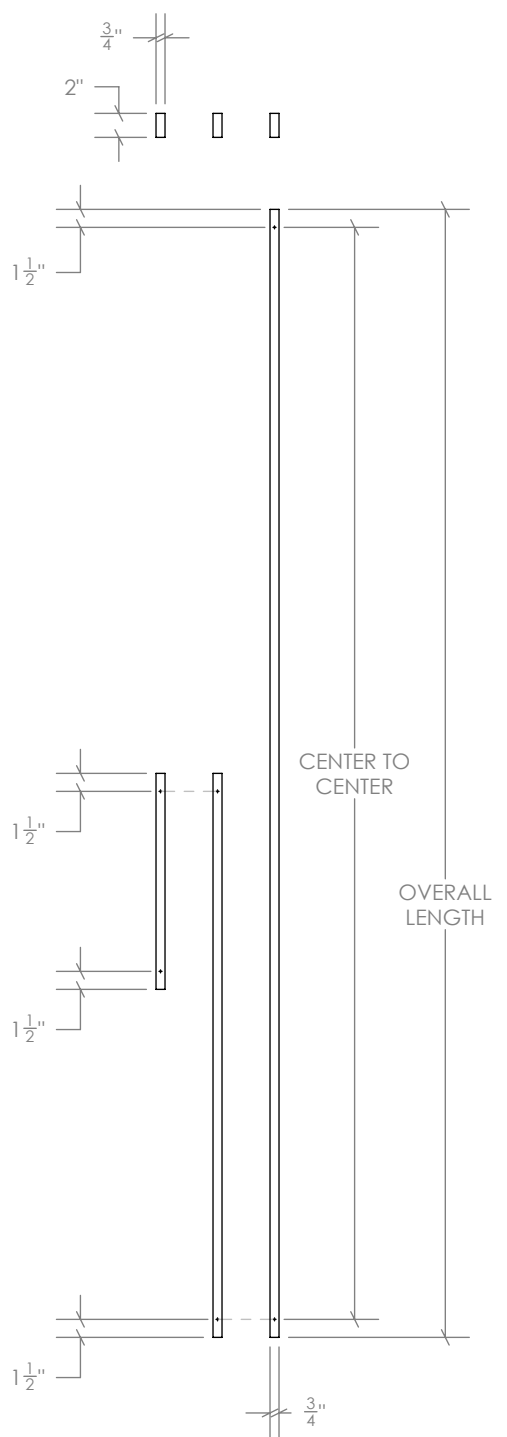
AVAILABLE IN 3 STANDARD LENGTHS:

| OVERALL LENGTH | CENTER TO CENTER |
|----------------|------------------|
| 18"            | 15"              |
| 47"            | 44"              |
| 94" *          | 91" *            |

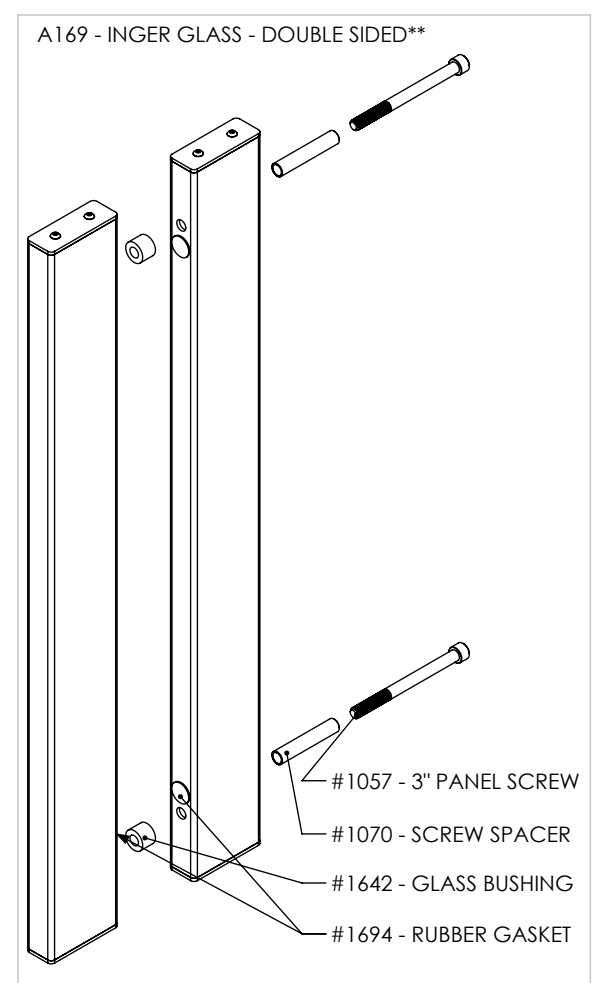
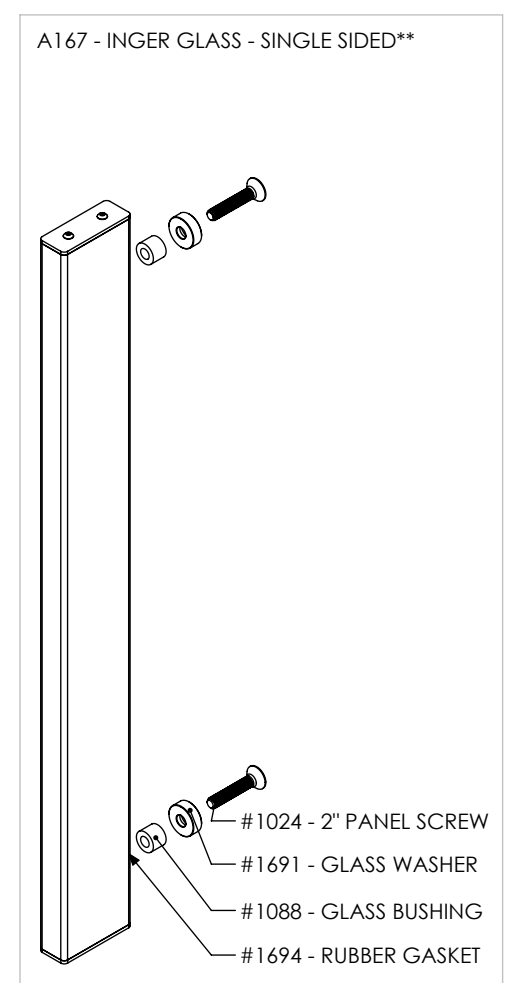
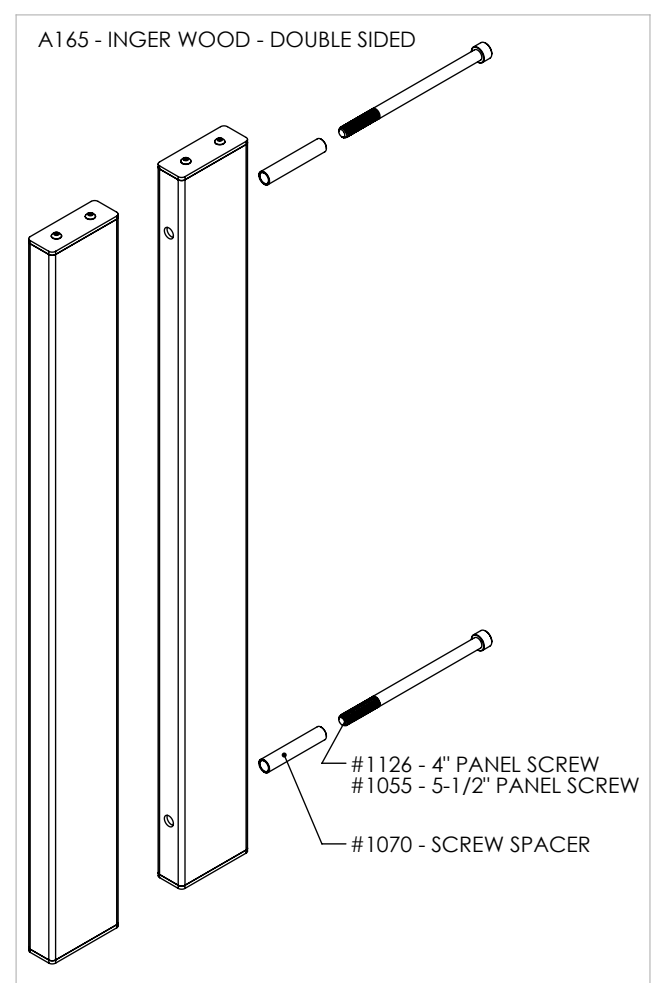
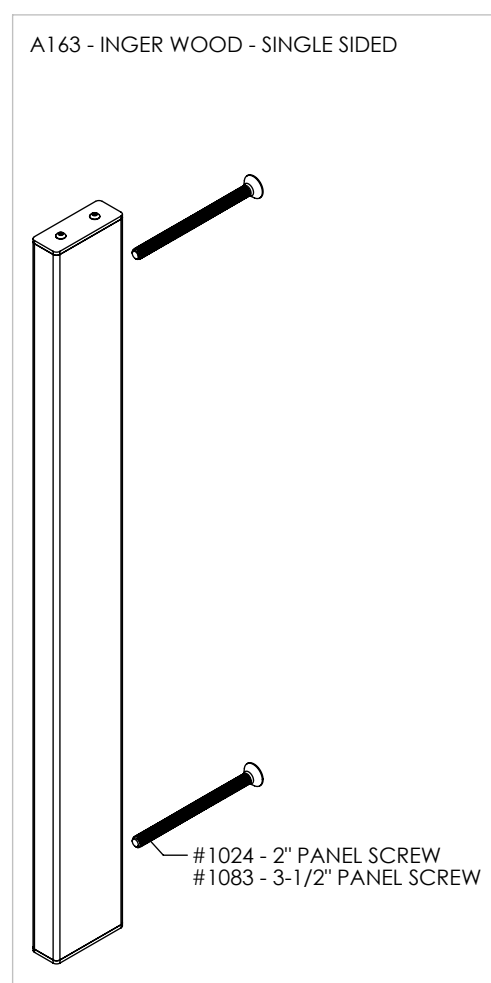
DOOR PANEL THICKNESS RANGE

| WOOD     | GLASS        |
|----------|--------------|
| 1" TO 3" | 3/8" TO 5/8" |

CONTACT US FOR PANELS OUTSIDE OF THIS RANGE



SCALE 3/4"=1' (1:16)



\* = BRUSHED STAINLESS ONLY. NOT AVAILABLE IN BLACK STAINLESS.  
 \*\* = SEE NEXT PAGE FOR MORE GLASS INFORMATION

|                                  |   |                                    |   |
|----------------------------------|---|------------------------------------|---|
| DOCUMENT: PRODUCT SPECIFICATIONS | DOOR APPLICATION: SINGLE, BI-PARTING, BYPASSING                             | DRAWING SCALE: 3/4" = 1'-0" (1:16) | KROWNLAB<br>2351 NW York St.<br>Portland, OR 97210<br>+1 503 292 6998<br>www.krownlab.com<br>support@krownlab.com |
| SYSTEM: INGER DOOR PULL          | PANEL THICKNESS: 3/8" TO 5/8" (CONTACT US FOR PANELS OUTSIDE OF THIS RANGE) | UNITS: INCHES                      |   |
| MOUNTING STYLE: GLASS            | MAXIMUM WEIGHT: TROLLEY SYSTEM OR TRACK CONFIGURATION DEPENDENT             | DATE: 12/11/2018                   |   |



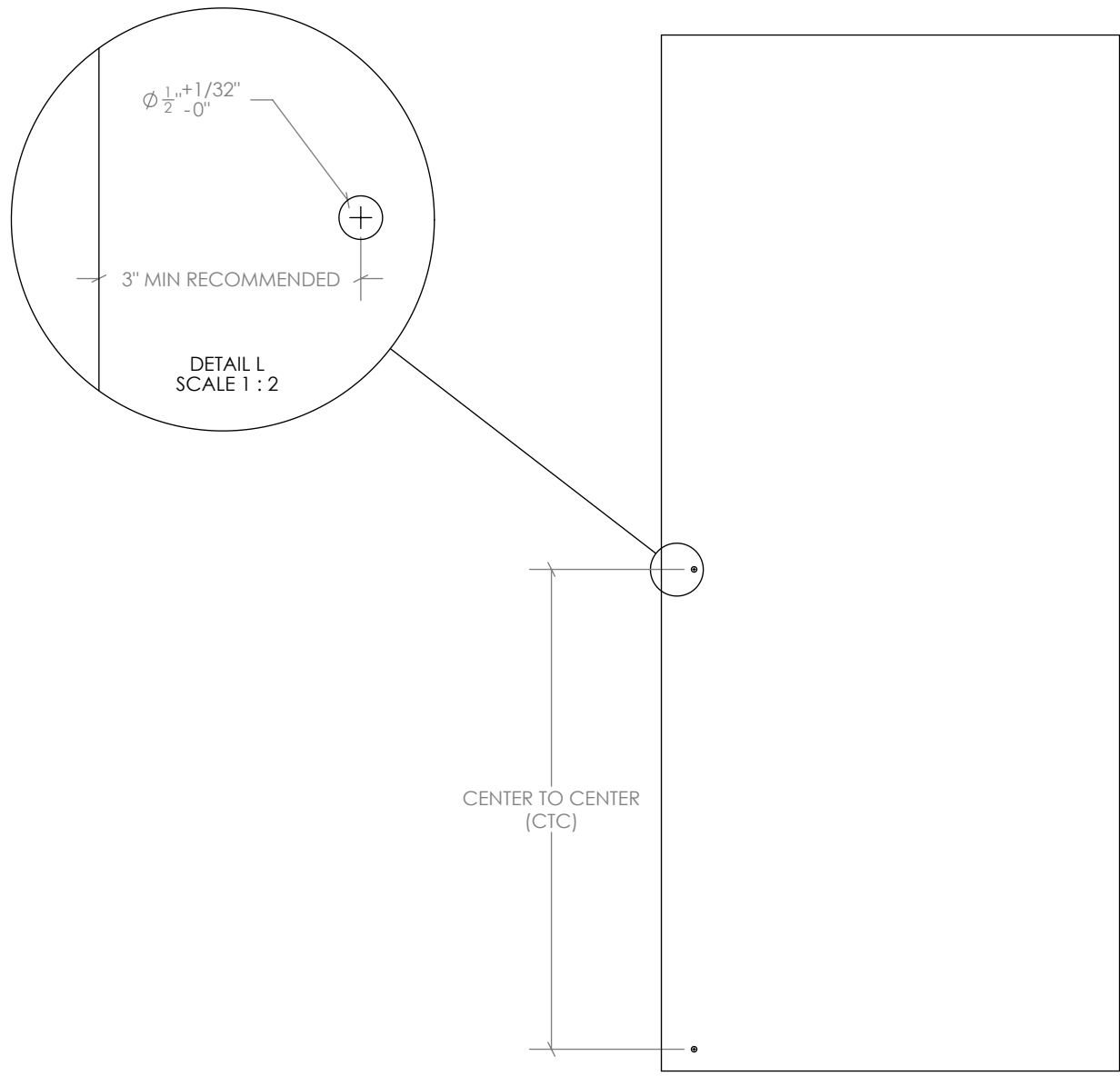
GLASS PANELS MUST BE FLAT POLISHED AND HAVE A 1MM CHAMFER ON ALL EDGES.

ALL HOLES MUST BE DRILLED OR CNC MACHINED WITH STRAIGHT WALLS AND SEAMED EDGES. DO NOT WATER-JET - NO TAPERED HOLES.

ALL TEMPERED GLASS IS SUBJECT TO EXPERIENCE SPONTANIOUS BREAKAGE. IT IS THE BUYERS RESPONSIBILITY TO DETERMINE AND APPROVE GLASS SPECIFICATION(S) SUITABLE TO MEET ALL FACTORS RELEVANT TO THEIR PARTICULAR USE OR APPLICATION IN CONJUNCTION WITH ALL KROWN LAB, INC.'S PRODUCTS.

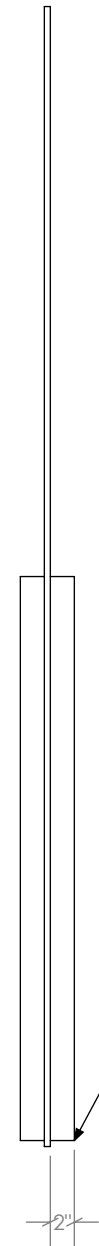
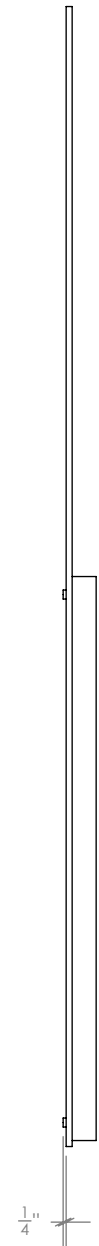
REFERENCE ASTM C1048, 7.9.5

47" VERSION SHOWN BELOW



SINGLE SIDED

DOUBLE SIDED



ALLOW FOR DOOR GUIDE CLEARANCE IF APPLICABLE.

