



INGER

STAND-OFF

A distinctly unique architectural door pull, designed for all door applications. Made in the USA from high-quality aluminum and stainless steel.

FEATURES

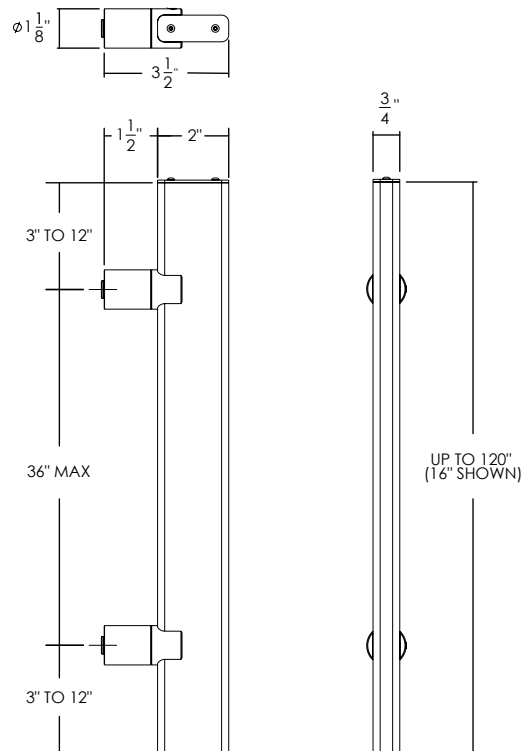
- Designed for all door applications: sliding, hinged and pivot.
- Fully concealed fasteners for a clean elegant look.
- Flexible spacing between door mounting points for easy installation.
- Accommodates glass, wood, metal-clad, and composite doors.
- Available in single and double-sided configurations.
- Made from high-grade aluminum with a fine linear grained texture.
- Finishes match Krownlab's sliding barn door systems.
- Designed in Portland, OR. Proudly Made In The USA.
- 10 year commercial warranty.

SPECIFICATIONS

- Standard lengths are 16", 24" and 48". Can be customized to any lengths between 12" and 120".
- Compatible with glass panels 3/8" to 1/2" in thickness. Contact us for panels outside of this thickness range.
- Compatible with wood panels up to 3" in thickness. Contact us for thicker panels.

WHAT'S INCLUDED

- 1 x complete door pull(s)
- 1 x all necessary mounting hardware for selected door panel.



QUICK LOOK

FINISH OPTIONS



Brushed Stainless



Black Stainless

LENGTHS

Available in 16", 24" and 48" standard lengths. Any custom length between 12" and 120".

CONFIGURATIONS

Available in single and double-sided configurations.

DOOR PANEL COMPATIBILITY

Glass, wood, metal-clad, and composite door panels.

MORE INFORMATION

For more information visit: www.krownlab.com/inger

ORDERING AND PRICING

For inquiries or to place orders, please contact: support@krownlab.com, or call +1 503 292 6998. Trade discounts and volume pricing available.