



# INGER

## STAND-OFF

A distinctly unique architectural door pull, designed for all door applications. Made in the USA from high-quality aluminum and stainless steel.

### FEATURES

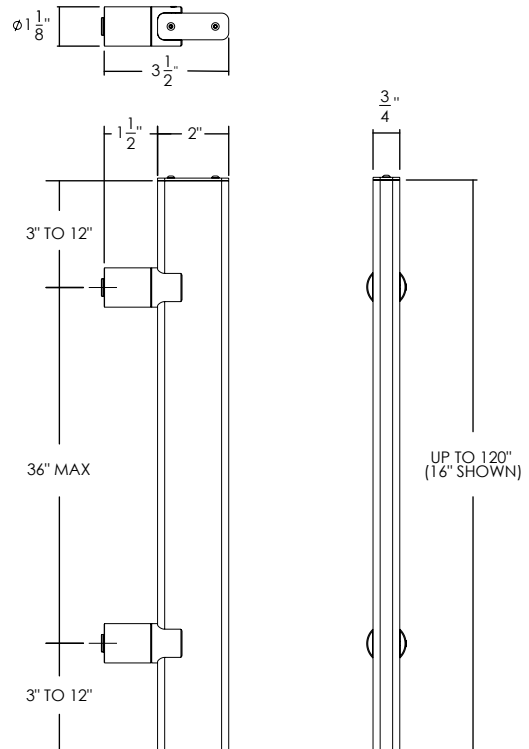
- Designed for all door applications: sliding, hinged and pivot.
- Fully concealed fasteners for a clean elegant look.
- Flexible spacing between door mounting points for easy installation.
- Accommodates glass, wood, metal-clad, and composite doors.
- Available in single and double-sided configurations.
- Made from high-grade aluminum with a fine linear grained texture.
- Finishes match Krownlab's sliding barn door systems.
- Designed in Portland, OR. Proudly Made In The USA.
- 10 year commercial warranty.

### SPECIFICATIONS

- Standard lengths are 16", 24" and 48". Can be customized to any lengths between 12" and 120".
- Compatible with glass panels 3/8" to 1/2" in thickness. Contact us for panels outside of this thickness range.
- Compatible with wood panels up to 3" in thickness. Contact us for thicker panels.

### WHAT'S INCLUDED

- 1 x complete door pull(s)
- 1 x all necessary mounting hardware for selected door panel.



### QUICK LOOK

#### FINISH OPTIONS



Brushed Stainless



Black Stainless

#### LENGTHS

Available in 16", 24" and 48" standard lengths. Any custom length between 12" and 120".

#### CONFIGURATIONS

Available in single and double-sided configurations.

#### DOOR PANEL COMPATIBILITY

Glass, wood, metal-clad, and composite door panels.

#### MORE INFORMATION

For more information visit: [www.krownlab.com/inger](http://www.krownlab.com/inger)

### ORDERING AND PRICING

For inquiries or to place orders, please contact: [support@krownlab.com](mailto:support@krownlab.com), or call +1 503 292 6998. Trade discounts and volume pricing available.