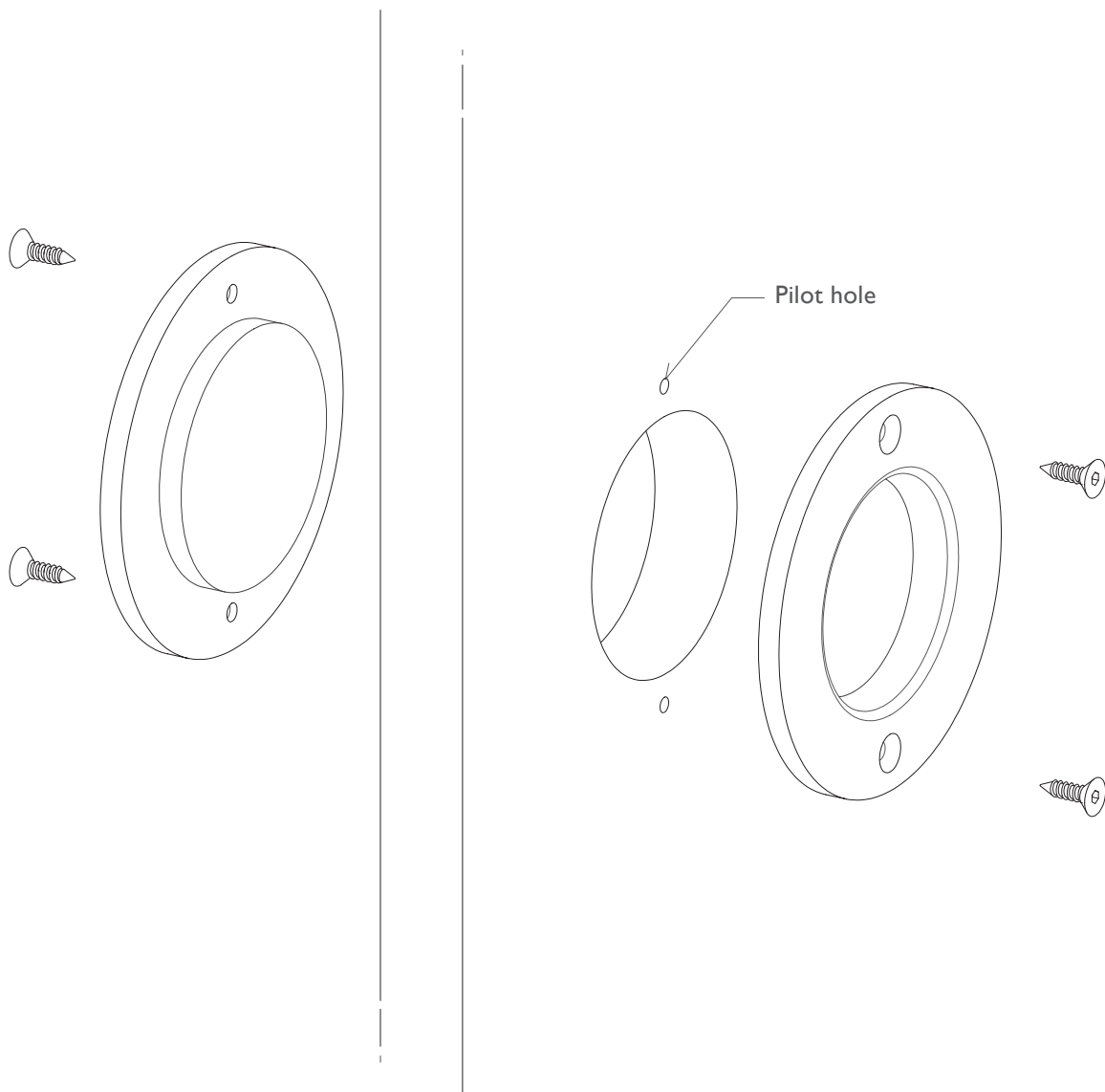


EBBA - FLUSH PULL

KROWNLAB

Wood Mount - Double sided

- ① Drill a 2-1/8" diameter hole through panel in desired location. (Minimum panel thickness is 3/4")
- ② Drill pilot holes for screws.
- ③ Install Ebba as shown below.



EBBA - FLUSH PULL

KROWNLAB

Wood Mount - Single sided

- ① Drill a 2-1/8" diameter hole in desired location. (Minimum depth is 1/4")
- ② Drill pilot holes for screws.
- ③ Install Ebba as shown below.

