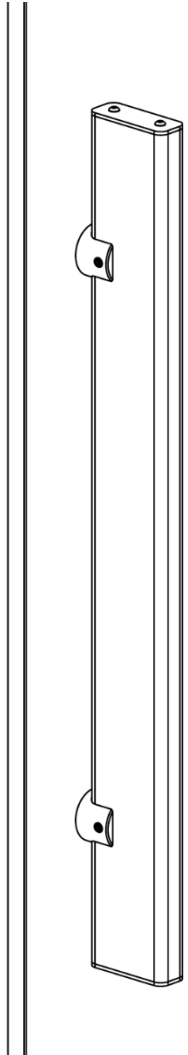
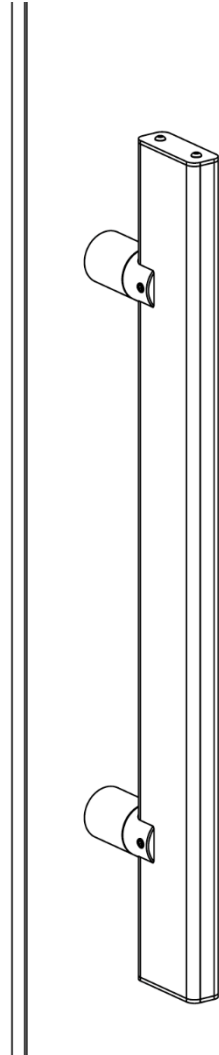


INGER DOOR PULL - INSTALLATION INSTRUCTIONS

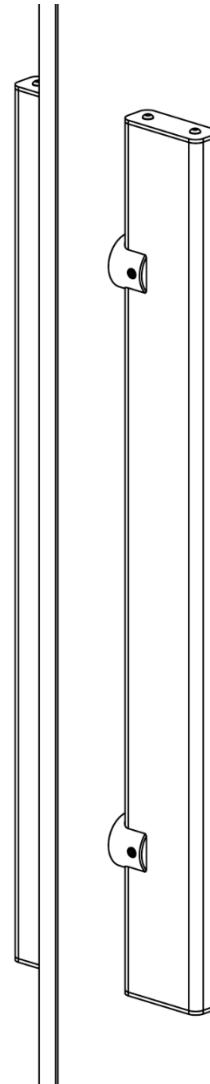
GLASS DOOR PANELS



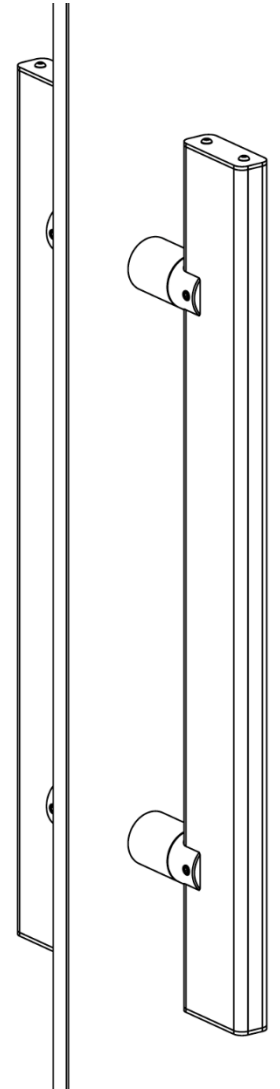
**SINGLE-SIDED
FLUSH-MOUNT**



**SINGLE-SIDED
W/ STAND-OFF**



**DOUBLE-SIDED
FLUSH-MOUNT**

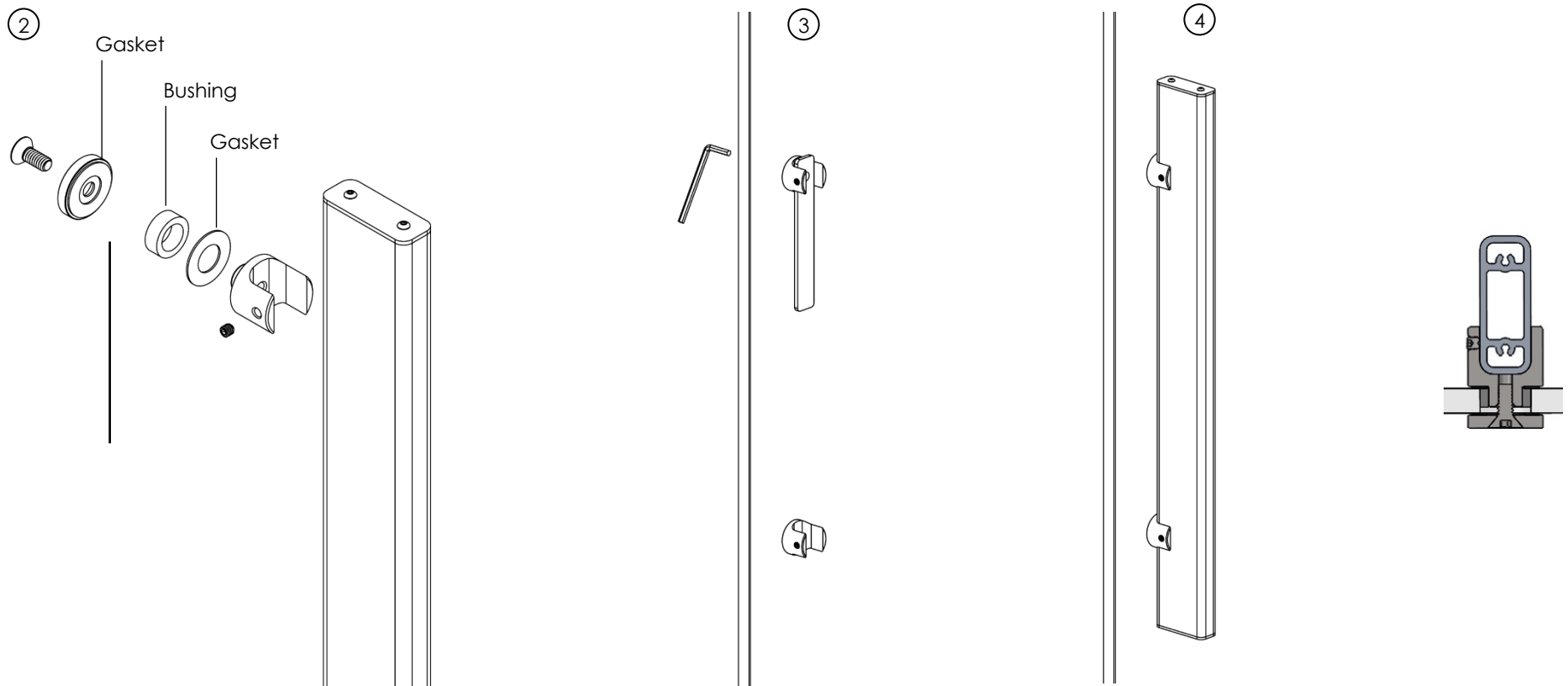


**DOUBLE-SIDED
W/ STAND-OFF**

INGER DOOR PULL - INSTALLATION INSTRUCTIONS

GLASS PANEL | SINGLE-SIDED | FLUSH-MOUNT

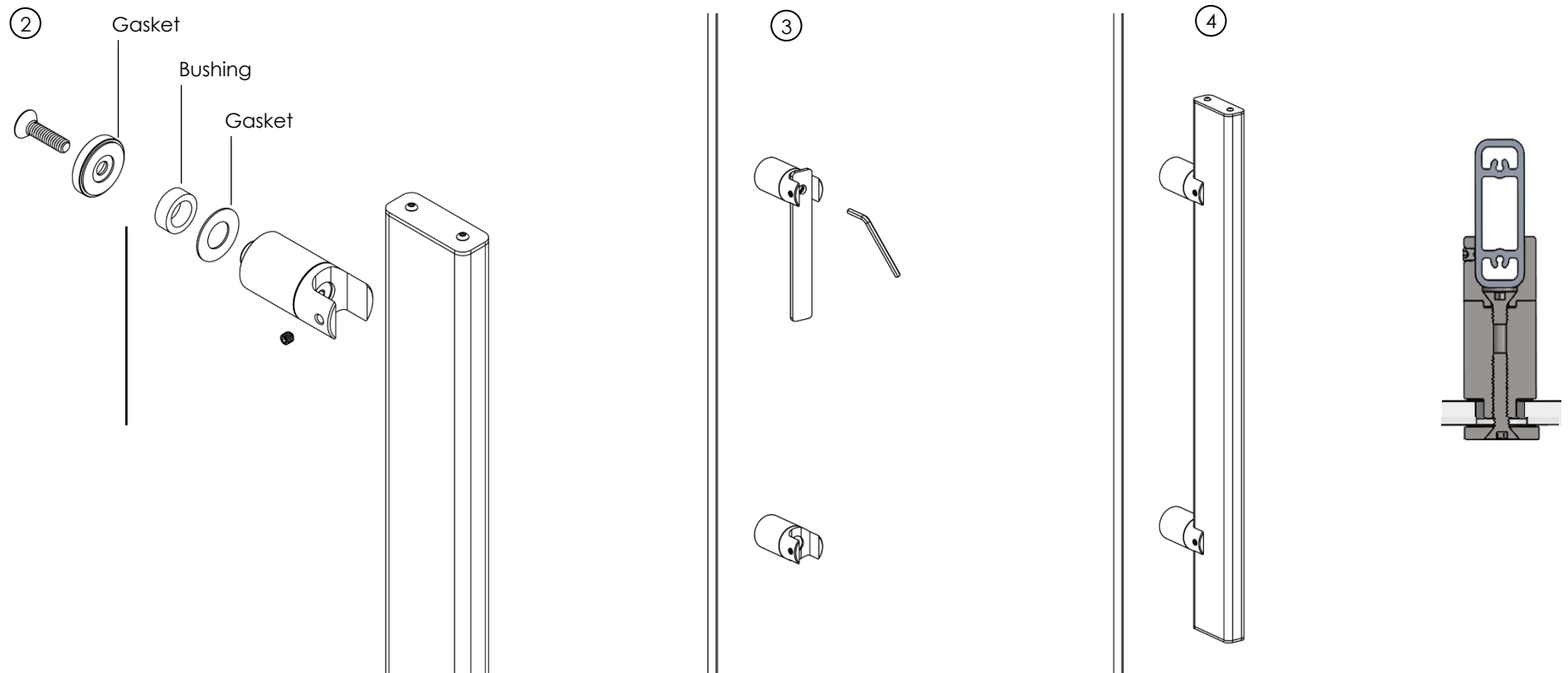
- (!) If door pull is cut to length on site, reinstall the End Caps.
- ① Reference the Inger Product Specifications document to confirm glass hole specifications.
- ② Install each Door Pull Mount as shown using the correct length screw for your glass panel thickness. Do not tighten to allow for easy Door Pull alignment in the following step.
 - (!) Insert the provided bushings inside each glass hole location of the glass panel.
 - (!!) Ensure that the provided gaskets are up against the glass at each mounting point.
- ③ Using a Low or Medium-Strength threadlocker, softly tighten Door Pull Mounts to 30 inch-lbs. (2.5 ft-lbs.) in a vertical position using provided Alignment tool.
- ④ Install Door Pull at desired height by tightening the set screws up to 30 inch-lbs. (2.5 ft-lbs.)



INGER DOOR PULL - INSTALLATION INSTRUCTIONS

GLASS PANEL | SINGLE-SIDED | W/ STAND-OFF

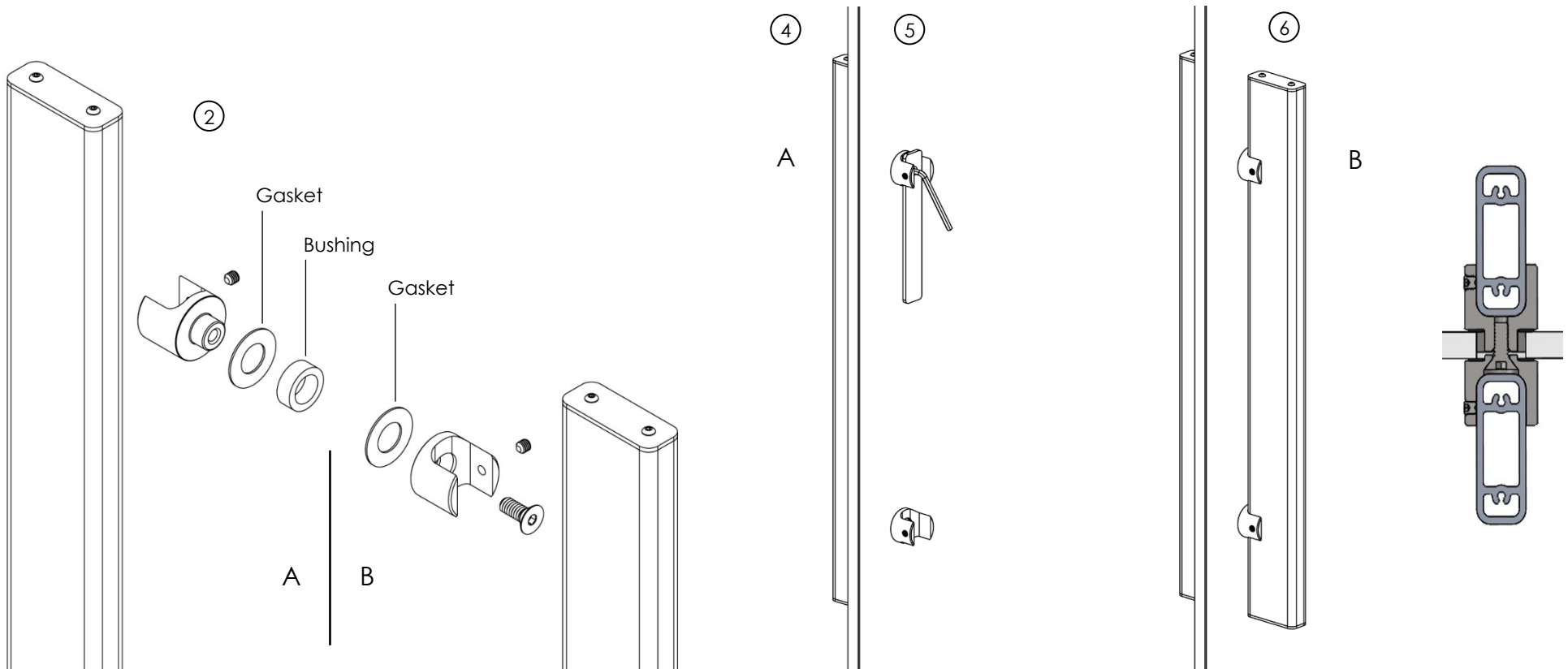
- (!) If door pull is cut to length on site, reinstall the End Caps.
- ① Reference the Inger Product Specifications document to confirm glass hole specifications.
- ② Install each Door Pull Mount as shown using the correct length screw for your glass panel thickness. Do not tighten to allow for easy Door Pull alignment in the following step.
 - (!) Insert the provided bushings inside each glass hole location of the glass panel.
 - (!!) Ensure that the provided gaskets are up against the glass at each mounting point.
- ③ Using a Low or Medium-Strength threadlocker, softly tighten Door Pull Mounts to 30 inch-lbs. (2.5 ft-lbs.) in a vertical position using provided Alignment tool.
- ④ Install Door Pull at desired height by tightening the set screws up to 30 inch-lbs. (2.5 ft-lbs.)



INGER DOOR PULL - INSTALLATION INSTRUCTIONS

GLASS PANEL | DOUBLE-SIDED | FLUSH-MOUNT

- (!) If door pull is cut to length on site, reinstall the End Caps.
- ① Reference the Inger Product Specifications document to confirm glass hole specifications.
 - ② Install each Door Pull Mount as shown using the correct length screw for your glass panel thickness. Do not tighten to allow for easy Door Pull alignment in the following step.
(!) Insert the provided bushings inside each glass hole location of the glass panel.
(!!) Ensure that the provided gaskets are up against the glass at each mounting point.
 - ③ Install Door Pull on A-side at desired height by tightening the set screws.
 - ④ Using a Low or Medium-Strength threadlocker, softly tighten Door Pull Mounts to 30 inch-lbs. (2.5 ft-lbs.) in a vertical position using provided Alignment tool.
 - ⑤ Install Door Pull on B-side at desired height by tightening the set screws up to 30 inch-lbs. (2.5 ft-lbs.)



INGER DOOR PULL - INSTALLATION INSTRUCTIONS

GLASS PANEL | DOUBLE-SIDED | W/ STAND-OFF

- (!) If door pull is cut to length on site, reinstall the End Caps.
- ① Reference the Inger Product Specifications document to confirm glass hole specifications.
- ② Install each Door Pull Mount as shown using the correct length screw for your glass panel thickness. Do not tighten to allow for easy Door Pull alignment in the following step.
 - (!) Insert the provided bushings inside each glass hole location of the glass panel.
 - (!!) Ensure that the provided gaskets are up against the glass at each mounting point.
- ③ Install Door Pull on A-side at desired height by tightening the set screws.
- ④ Using a Low or Medium-Strength threadlocker, softly tighten Door Pull Mounts to 30 inch-lbs. (2.5 ft-lbs.) in a vertical position using provided Alignment tool.
- ⑤ Install Door Pull on B-side at desired height by tightening the set screws up to 30 inch-lbs. (2.5 ft-lbs.)

