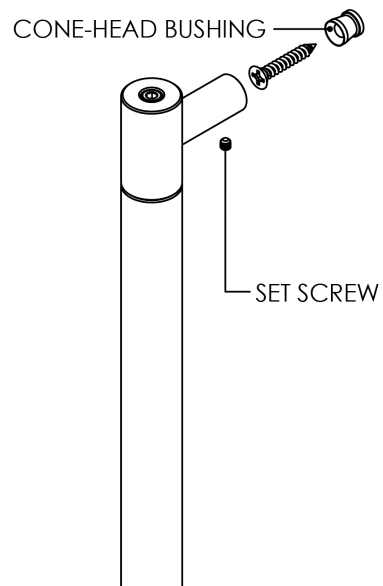


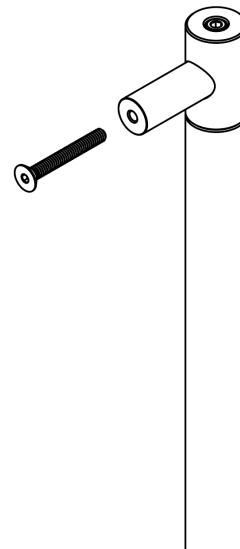
WOOD DOOR PANELS

- (!) Prepare the door by drilling holes at desired locations based on product hole spacing and screw type.
- ① Reference the relevant configuration below.
 - ② Install all components as shown without tightening fasteners all the way.
 - ③ Ensure all parts are lining up properly.
 - ④ Softly tighten large Mounting Screws to 48 inch-lb. (4 ft-lb.) or less to avoid crushing wood.
 - ⑤ Softly tighten small Set Screws to 30 inch-lb. (2.5 ft-lb.).

SINGLE-SIDED | BLIND MOUNT



SINGLE-SIDED | THROUGH MOUNT



DOUBLE-SIDED

