



# IVAR

## FACE MOUNT

Combine exceptional value with compact design and long-lasting performance. Featuring the Tru-Level track system, obsessively designed for fast and accurate installation. Made in the USA from high-grade billet aluminum.

### FEATURES

- Fast and easy installs with the Tru-Level™ system, providing a 1/4" vertical and lateral adjustment at all track mounting points.
- Easily set and readjust door travel on site, even after install.
- High precision bearings provide silent and smooth door travel.
- Low profile allows for a wide range of applications.
- Accommodates wood, metal-clad, and composite doors.
- ADA compatible door pull force at full panel weight.
- Designed in Portland, OR. Proudly Made In The USA.
- 10-year commercial warranty.

### SPECIFICATIONS

- Single track lengths available up to 12' (142").
- Easily drill and modify track length on site with common tools.
- Multiple tracks can easily be joined together in the field.
- Track anchors available for a range of wall conditions.
- Accommodates Single door configuration layouts. Choose Loki, Oden, or Baldur for Bi-part and Bypass configurations.

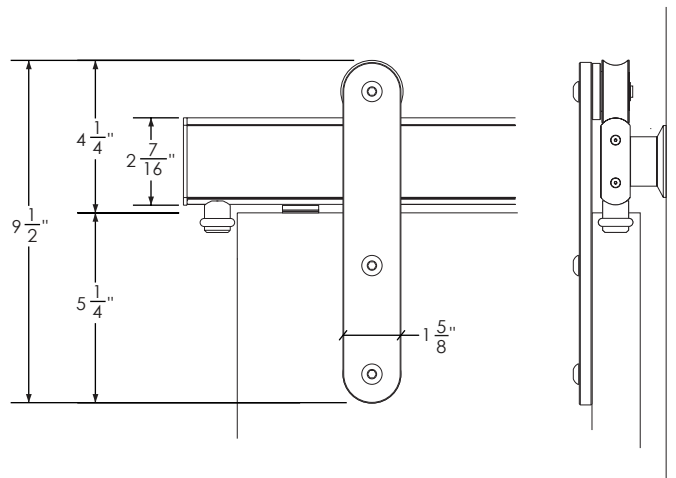
### WHAT'S INCLUDED

- 1 x track system with all necessary mounting hardware.
- 2 x door stops.
- 2 x trolleys with all necessary door mounting hardware.
- 1 x door bottom guide.

Visit our website for all compatible options and add-ons.

### DETAILS

- Door panel thickness range: 1-3/8" to 1-3/4" with or without typical door trim.
- Standard 200 lb door weight capacity. Choose Baldur or Oden for heavier door panels, or contact us.



### QUICK LOOK

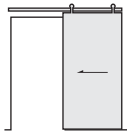
#### FINISH OPTIONS



Brushed Stainless

Black Stainless

#### CONFIGURATIONS



Single

#### WEIGHT CAPACITY

200 lb. Contact us for heavier door panels.

#### DOOR PANEL COMPATIBILITY

Wood, metal-clad, and composite door panels.

#### MORE INFORMATION

For more information visit: [www.krownlab.com/ivar](http://www.krownlab.com/ivar)

### ORDERING AND PRICING

For inquiries or to place orders, please contact: [support@krownlab.com](mailto:support@krownlab.com), or call +1 503 292 6998. Trade discounts and volume pricing available.