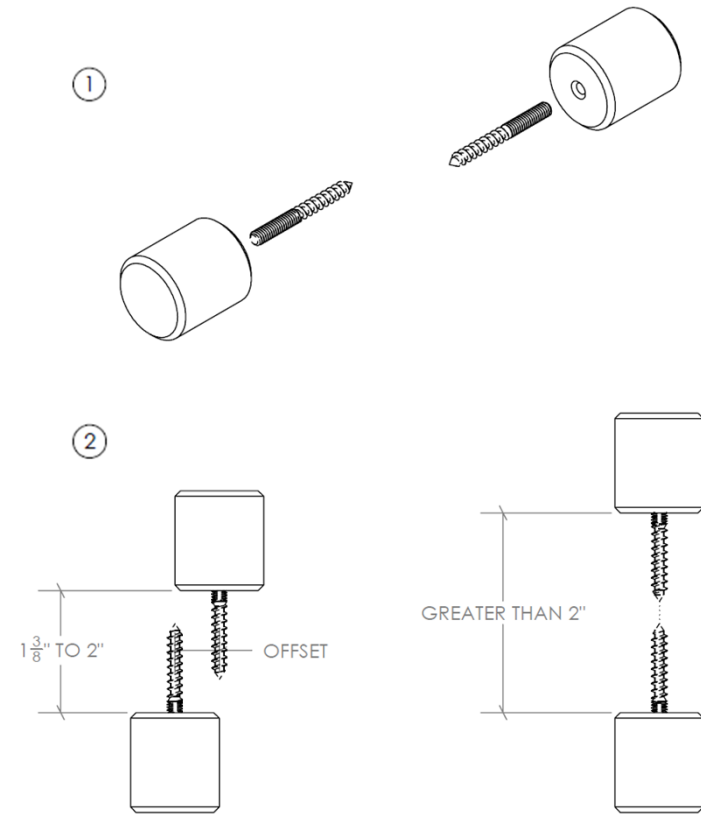


WOOD PANELS

- ① Install threaded studs into each knob.
- ② Determine if the knobs can be installed inline or offset based on door thickness and the length of studs in each knob.
- ③ Prepare the door by drilling holes at desired locations.
- ④ Install knob assembly onto door by hand. Tools can damage surface!
- ⑤ Repeat for other side.



GLASS PANELS

- (!) Reference the Inger Product Specifications document to confirm hole specifications.
- ① Install all components as shown without tightening fasteners all the way.
 - ② Ensure the rubber side of the Knob washer is against the glass.
 - (!) The rubber and plastic components must be used with glass panels.
 - ③ Ensure all parts are lining up properly.
 - ④ Softly tighten Kor Knobs by hand until firmly snug.

