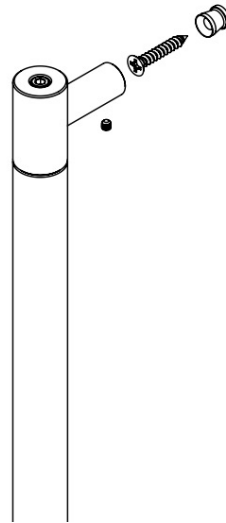


KOR DOOR PULL INSTALLATION INSTRUCTIONS

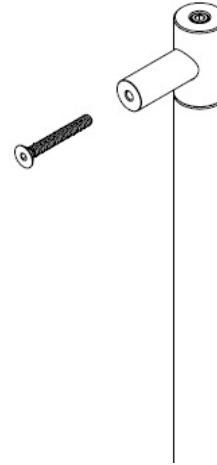
WOOD PANELS

- (!) Prepare the door by drilling holes at desired locations based on product hole spacing and screw type.
- ① Reference the relevant configuration on the right.
- ② Install all components as shown without tightening fasteners all the way.
- ③ Ensure all parts are lining up properly.
- ④ Softly tighten large mounting screws to 48 inch-lbs (4 ft-lbs) or less to avoid crushing wood.
- ⑤ Softly tighten small set screws to 30 inch-lbs (2.5 ft-lbs).

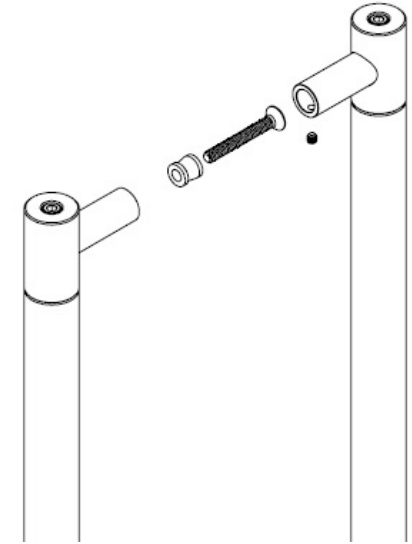
SINGLE-SIDED | BLIND



SINGLE-SIDED | THROUGH



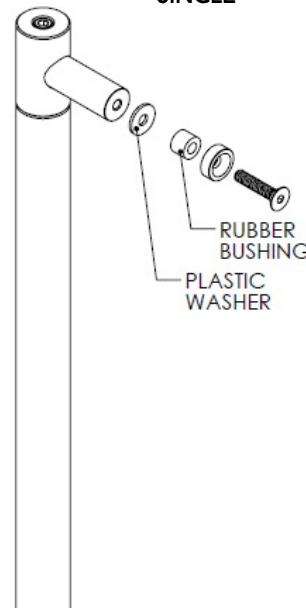
DOUBLE-SIDED



GLASS PANELS

- (!) Reference the Kor Product Specifications document to confirm hole specifications.
- ① Reference the relevant configuration on the right.
- ② Install all components as shown without tightening fasteners all the way.
- (!) The rubber bushings and plastic washers must be used with glass panels.
- ③ Ensure all parts are lining up properly.
- ④ Tighten large mounting screws to 84 inch-lbs (7 ft-lbs).
- ⑤ Softly tighten small set screws to 30 inch-lbs (2.5 ft-lbs).

SINGLE



DOUBLE

