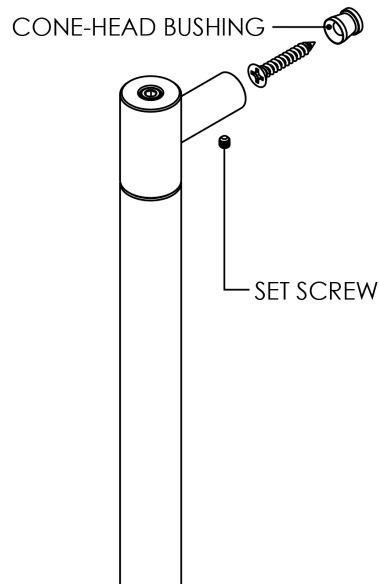


# KOR DOOR PULL INSTALLATION INSTRUCTIONS

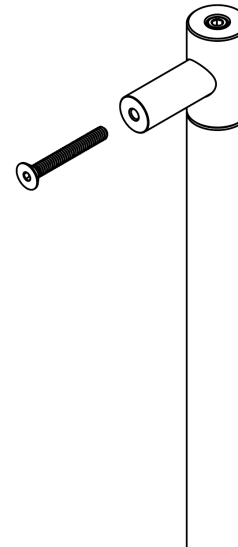
## WOOD PANELS

- (!) Prepare the door by drilling holes at desired locations based on product hole spacing and screw type.
- ① Reference the relevant configuration on the right.
  - ② Install all components as shown without tightening fasteners all the way.
  - ③ Ensure all parts are lining up properly.
  - ④ Softly tighten large Mounting Screws to 48 inch-lb. (4 ft-lb.) or less to avoid crushing wood.
  - ⑤ Softly tighten small Set Screws to 30 inch-lb. (2.5 ft-lb.).

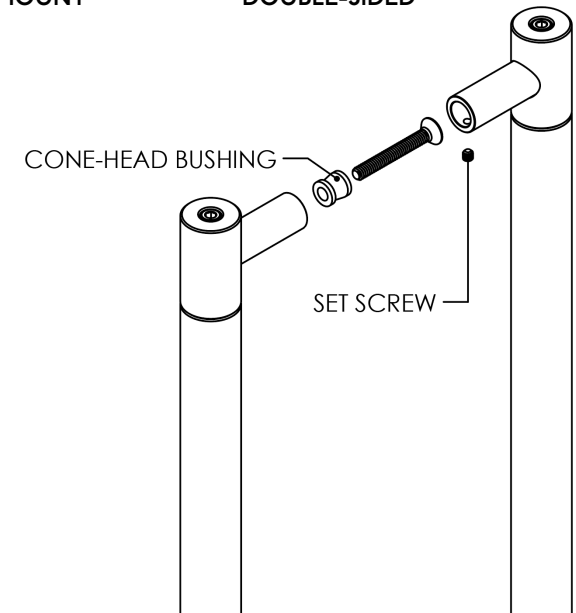
### SINGLE-SIDED | BLIND MOUNT



### SINGLE-SIDED | THROUGH MOUNT



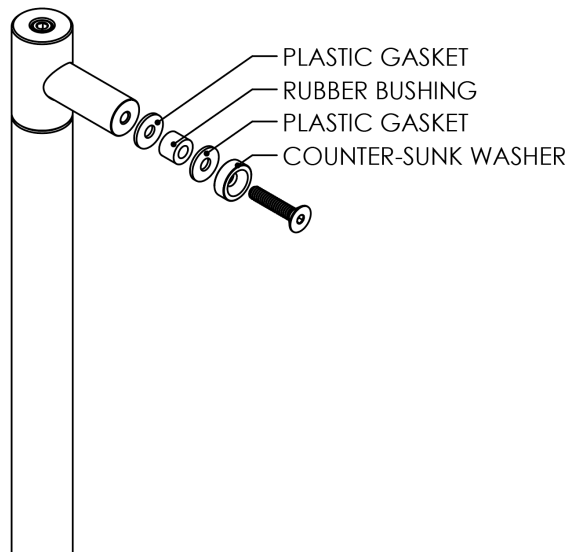
### DOUBLE-SIDED



## GLASS PANELS

- (!) Reference the Kor Product Specifications document to confirm hole specifications.
- (!) All gasket and bushing components must be installed as shown.
- ① Reference the relevant configuration on the right.
  - ② Install all components as shown without tightening fasteners all the way.
  - ③ Ensure that all parts are aligned properly.
  - ④ Tighten large Mounting Screws to 84 inch-lb. (7 ft-lb.).
  - ⑤ Softly tighten small Set Screws to 30 inch-lb. (2.5 ft-lb.).

### SINGLE-SIDED



### DOUBLE-SIDED

