
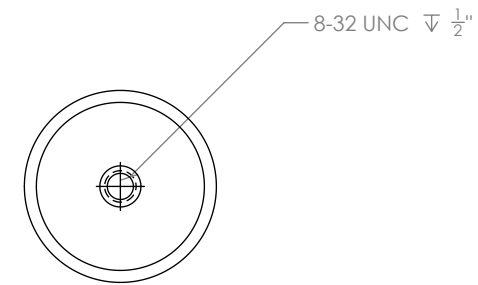
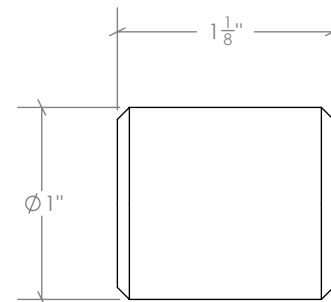
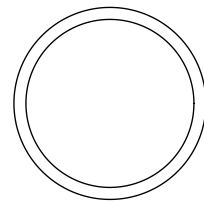
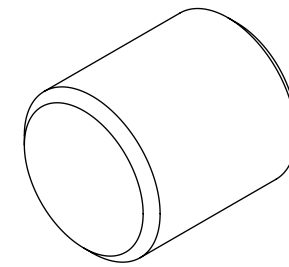


DOCUMENT:	PRODUCT SPECIFICATIONS	DOOR APPLICATION:	SINGLE & BI-PARTING	DRAWING SCALE:	1'-0" = 1'-0" (1:1)	<b>KROWNLAB</b> 2351 NW York St. Portland, OR 97210 +1 503 292 6998 <a href="http://www.krownlab.com">www.krownlab.com</a> <a href="mailto:support@krownlab.com">support@krownlab.com</a>	 <b>KROWNLAB</b> <small>PDX - ORE</small>
SYSTEM:	KOR DOOR KNOB	PANEL THICKNESS:	SEE TABLE BELOW	UNITS:	INCHES		
MOUNTING STYLE:	WOOD AND GLASS*	MAXIMUM WEIGHT:	N/A	DATE:	2/4/2021		

DOOR PANEL THICKNESS RANGE

WOOD	GLASS*
1-3/8" & UP	3/8" TO 3/4"

CONTACT US FOR PANELS OUTSIDE OF THIS RANGE



\* = SEE GLASS SPECIFICATIONS PAGE FOR MORE INFORMATION.

DOCUMENT:	PRODUCT SPECIFICATIONS
SYSTEM:	KOR DOOR KNOB
MOUNTING STYLE:	GLASS (SEE GLASS SPECIFICATIONS PAGE FOR MORE INFORMATION)

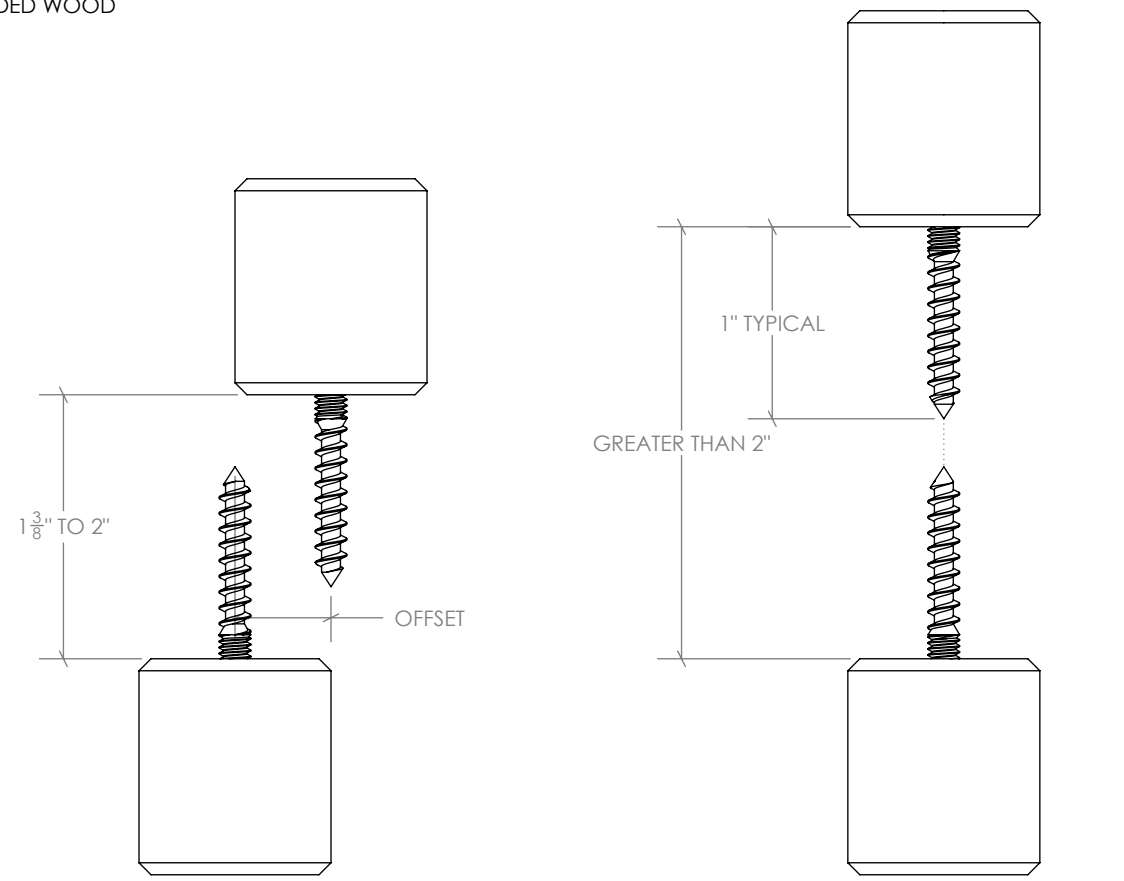
DOOR APPLICATION:	SINGLE & BI-PARTING
PANEL THICKNESS:	KOR KNOB CONFIGURATION DEPENDENT
MAXIMUM WEIGHT:	N/A

DRAWING SCALE:	1'-0" = 1'-0" (1:1)
UNITS:	INCHES
DATE:	2/4/2021

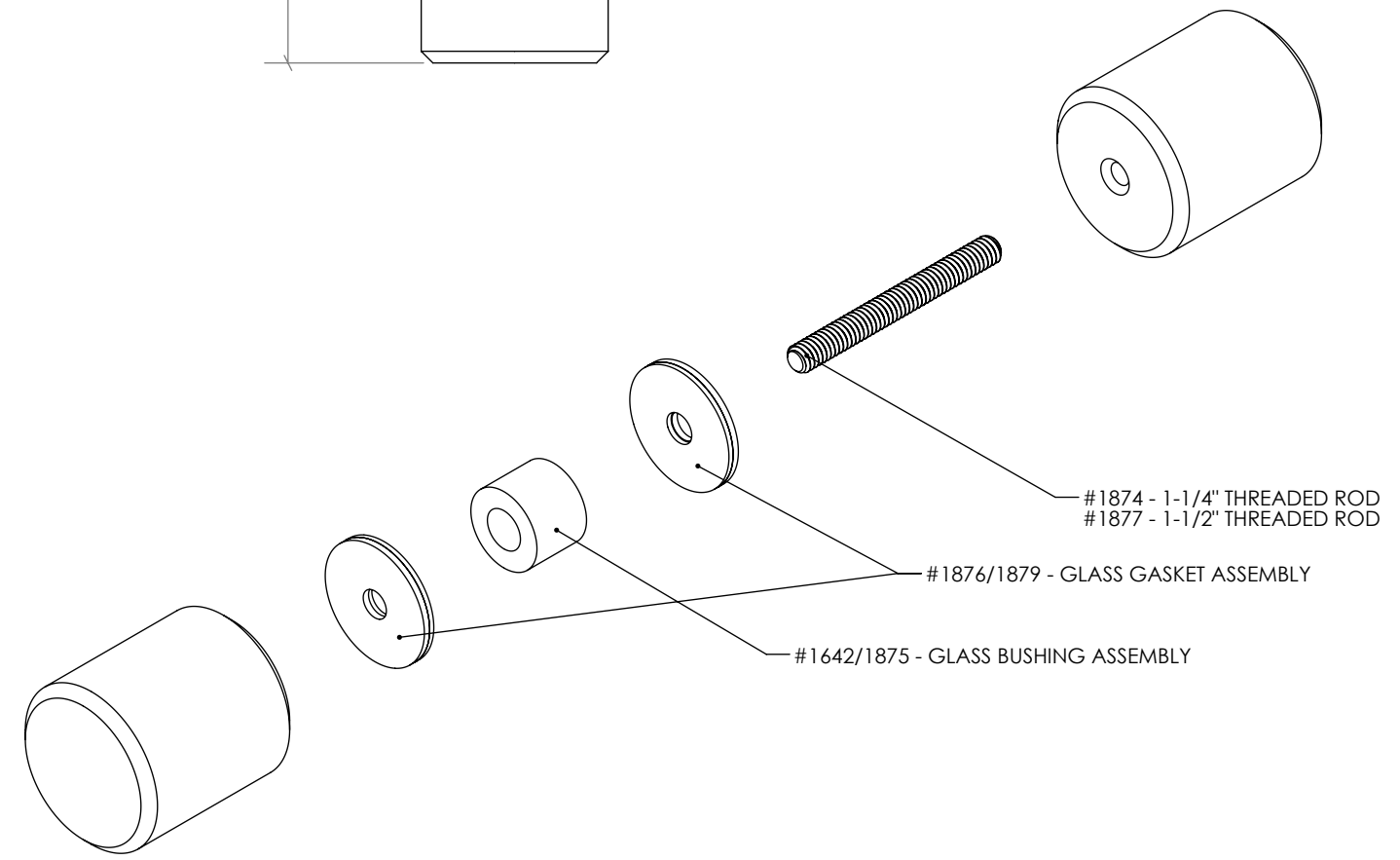
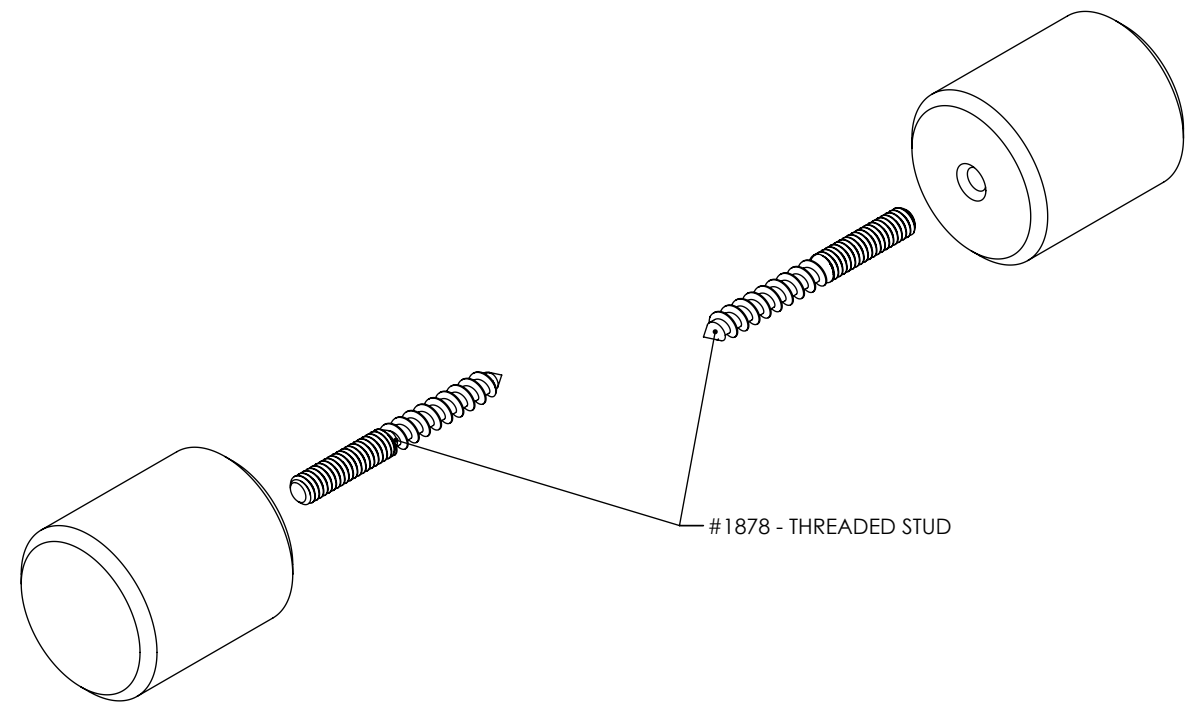
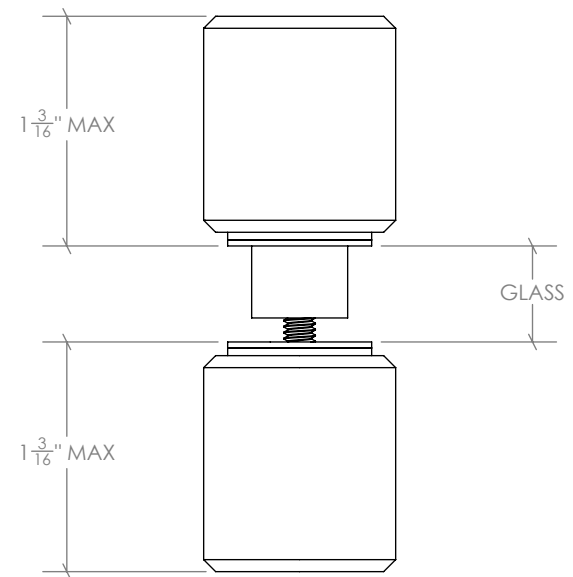
KROWNLAB  
 2351 NW York St.  
 Portland, OR 97210  
 +1 503 292 6998  
 www.krownlab.com  
 support@krownlab.com

**KROWNLAB**  
 PDX - ORE

DOUBLE SIDED WOOD



DOUBLE SIDED GLASS



DOCUMENT:	PRODUCT SPECIFICATIONS	DOOR APPLICATION:	SINGLE & BI-PARTING	DRAWING SCALE:	3/4" = 1'-0" (1:16)	KROWNLAB 2351 NW York St. Portland, OR 97210 +1 503 292 6998 www.krownlab.com support@krownlab.com
SYSTEM:	KOR DOOR KNOB	PANEL THICKNESS:	3/8" TO 3/4" (CONTACT US FOR PANELS OUTSIDE OF THIS RANGE)	UNITS:	INCHES	
MOUNTING STYLE:	GLASS	MAXIMUM WEIGHT:	N/A	DATE:	2/4/2021	



ALL GLASS PANELS AND FIXED MOUNTING HARDWARE MUST BE SOURCED THROUGH GLASS INSTALLER OR OTHER PARTY, AND MUST MEET THE FOLLOWING REQUIREMENTS:

GLASS PANELS MUST BE FLAT POLISHED AND HAVE A 1MM CHAMFER ON ALL EDGES.

ALL HOLES MUST BE DRILLED OR CNC MACHINED WITH STRAIGHT WALLS AND SEAMED EDGES. DO NOT WATER-JET - NO TAPERED HOLES.

ALL TEMPERED GLASS IS SUBJECT TO EXPERIENCE SPONTANEOUS BREAKAGE. IT IS THE BUYERS RESPONSIBILITY TO DETERMINE AND APPROVE GLASS SPECIFICATION(S) SUITABLE TO MEET ALL FACTORS RELEVANT TO THEIR PARTICULAR USE OR APPLICATION IN CONJUNCTION WITH ALL KROWN LAB, INC.'S PRODUCTS.

REFERENCE ASTM C1048, 7.9.5

DOUBLE SIDED KNOB SHOWN

