
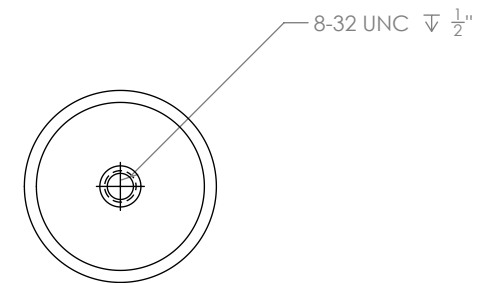
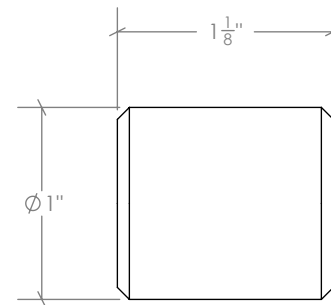
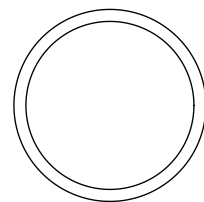
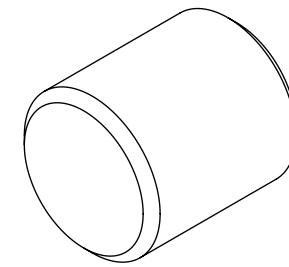


| | | | | | | | |
|-----------------|------------------------|-------------------|---------------------|----------------|---------------------|--|---|
| DOCUMENT: | PRODUCT SPECIFICATIONS | DOOR APPLICATION: | SINGLE & BI-PARTING | DRAWING SCALE: | 1'-0" = 1'-0" (1:1) | KROWNLAB 2351 NW York St. Portland, OR 97210 +1 503 292 6998 www.krownlab.com support@krownlab.com |  KROWNLAB <small>PDX - ORE</small> |
| SYSTEM: | KOR DOOR KNOB | PANEL THICKNESS: | SEE TABLE BELOW | UNITS: | INCHES | | |
| MOUNTING STYLE: | WOOD AND GLASS* | MAXIMUM WEIGHT: | N/A | DATE: | 2/4/2021 | | |

DOOR PANEL THICKNESS RANGE

| WOOD | GLASS* |
|-------------|--------------|
| 1-3/8" & UP | 3/8" TO 3/4" |

CONTACT US FOR PANELS OUTSIDE OF THIS RANGE



* = SEE GLASS SPECIFICATIONS PAGE FOR MORE INFORMATION.

| | |
|-----------------|--|
| DOCUMENT: | PRODUCT SPECIFICATIONS |
| SYSTEM: | KOR DOOR KNOB |
| MOUNTING STYLE: | GLASS (SEE GLASS SPECIFICATIONS PAGE FOR MORE INFORMATION) |

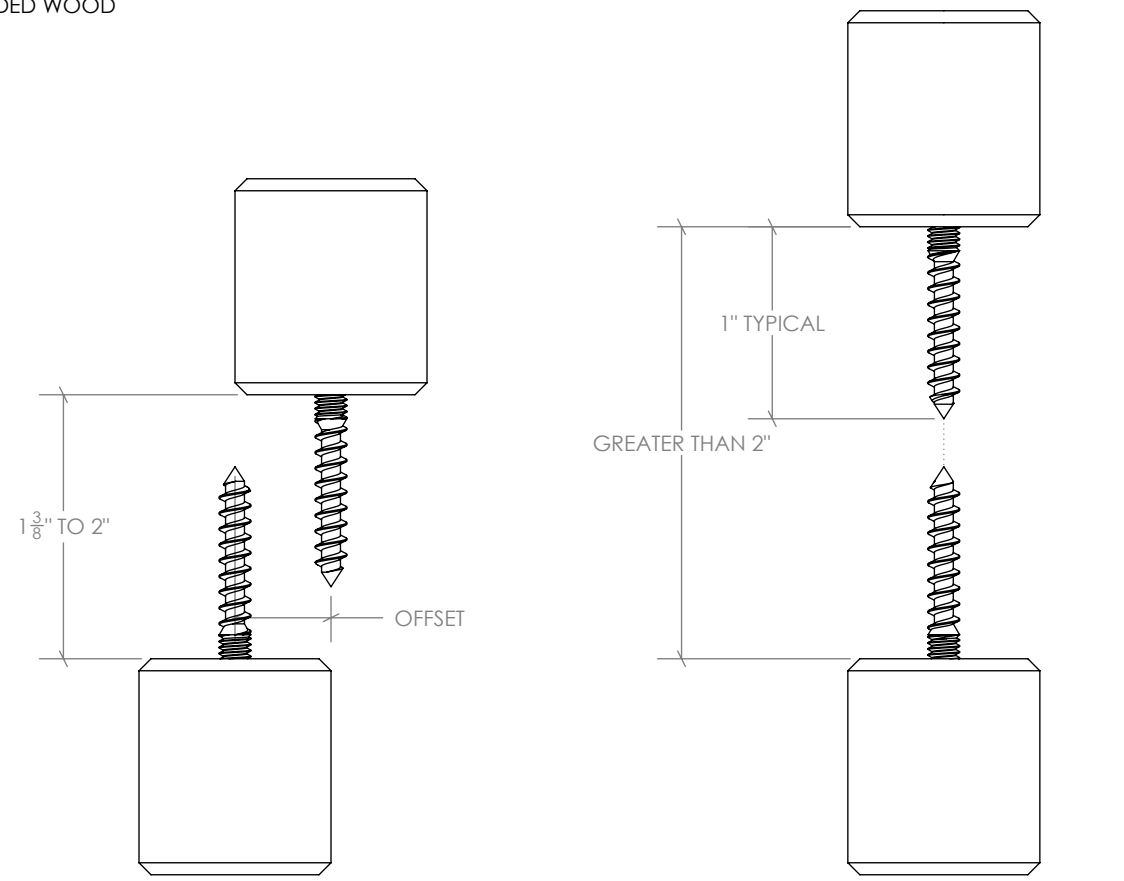
| | |
|-------------------|----------------------------------|
| DOOR APPLICATION: | SINGLE & BI-PARTING |
| PANEL THICKNESS: | KOR KNOB CONFIGURATION DEPENDENT |
| MAXIMUM WEIGHT: | N/A |

| | |
|----------------|---------------------|
| DRAWING SCALE: | 1'-0" = 1'-0" (1:1) |
| UNITS: | INCHES |
| DATE: | 2/4/2021 |

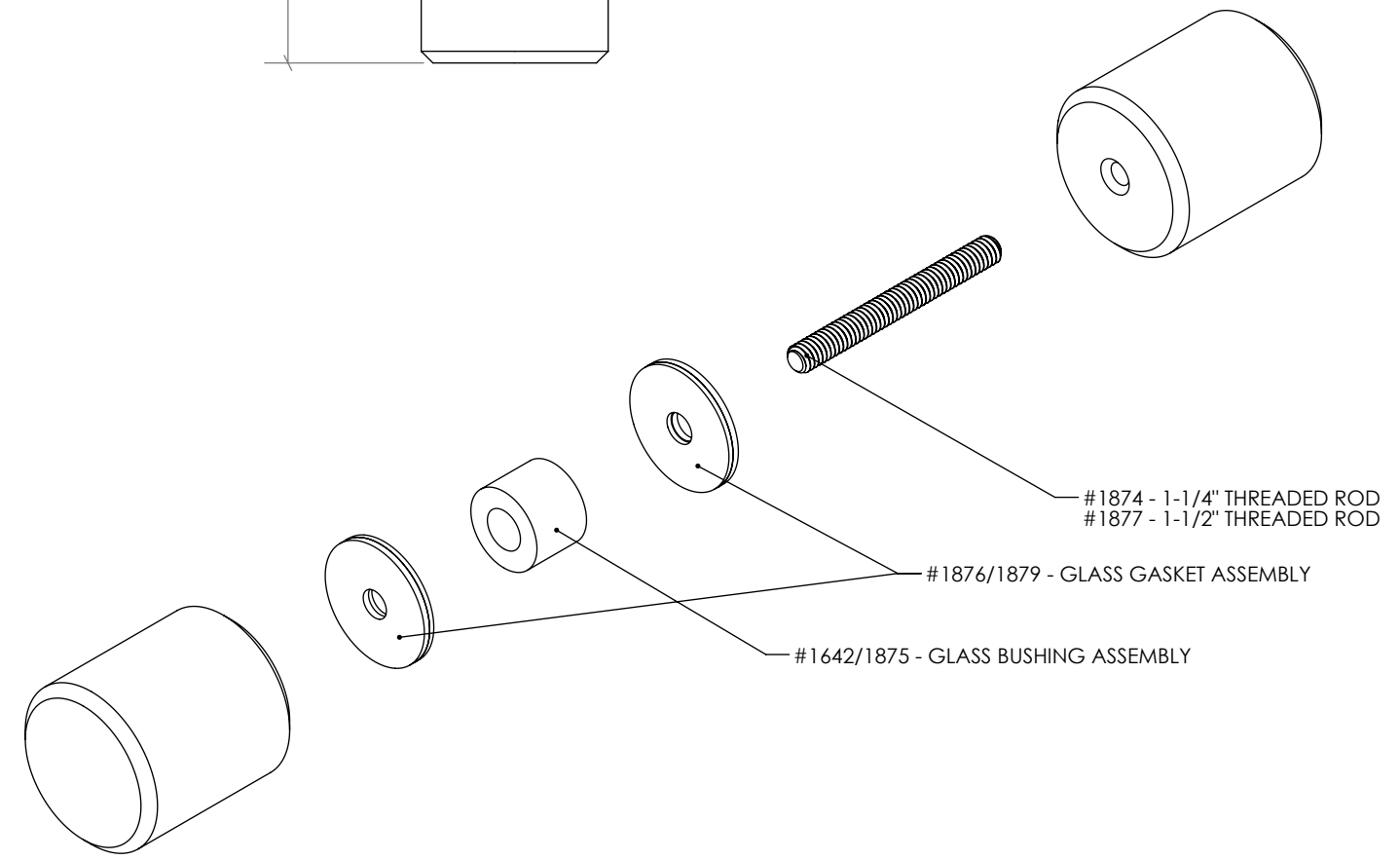
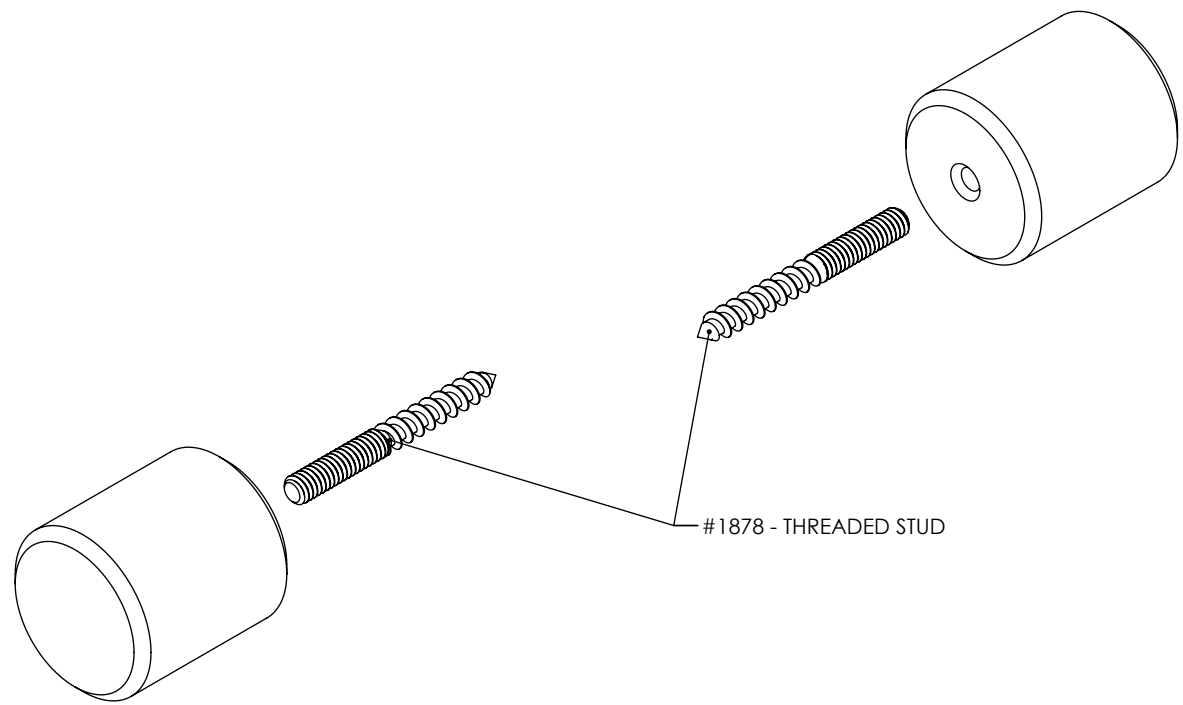
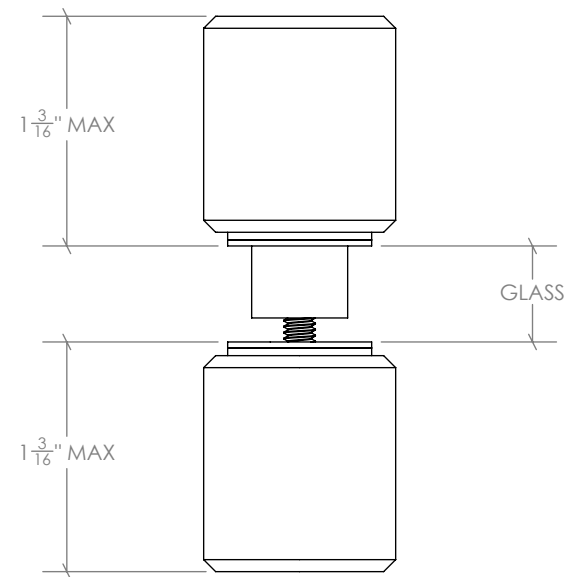
KROWNLAB
 2351 NW York St.
 Portland, OR 97210
 +1 503 292 6998
 www.krownlab.com
 support@krownlab.com

KROWNLAB
 PDX - ORE

DOUBLE SIDED WOOD



DOUBLE SIDED GLASS



| | | | |
|----------------------------------|---|------------------------------------|---|
| DOCUMENT: PRODUCT SPECIFICATIONS | DOOR APPLICATION: SINGLE & BI-PARTING | DRAWING SCALE: 3/4" = 1'-0" (1:16) | KROWNLAB 2351 NW York St. Portland, OR 97210 +1 503 292 6998 www.krownlab.com support@krownlab.com |
| SYSTEM: KOR DOOR KNOB | PANEL THICKNESS: 3/8" TO 3/4" (CONTACT US FOR PANELS OUTSIDE OF THIS RANGE) | UNITS: INCHES | |
| MOUNTING STYLE: GLASS | MAXIMUM WEIGHT: N/A | DATE: 2/4/2021 | |



ALL GLASS PANELS AND FIXED MOUNTING HARDWARE ARE TO BE SOURCED THROUGH GLASS INSTALLER OR OTHER PARTY, AND MUST MEET THE FOLLOWING REQUIREMENTS:

GLASS PANELS MUST BE FLAT POLISHED AND HAVE A 1MM CHAMFER ON ALL EDGES.

ALL HOLES MUST BE DRILLED OR CNC MACHINED WITH STRAIGHT WALLS AND SEAMED EDGES. DO NOT WATER-JET - NO TAPERED HOLES.

ALL TEMPERED GLASS IS SUBJECT TO EXPERIENCE SPONTANEOUS BREAKAGE. IT IS THE BUYERS RESPONSIBILITY TO DETERMINE AND APPROVE GLASS SPECIFICATION(S) SUITABLE TO MEET ALL FACTORS RELEVANT TO THEIR PARTICULAR USE OR APPLICATION IN CONJUNCTION WITH ALL KROWN LAB, INC.'S PRODUCTS.

REFERENCE ASTM C1048, 7.9.5

DOUBLE SIDED KNOB SHOWN

