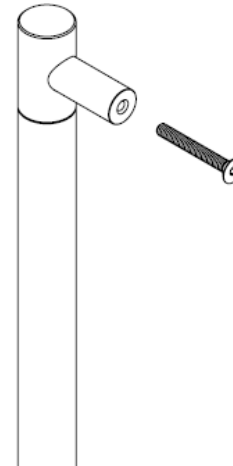


KOR DOOR PULL INSTALLATION INSTRUCTIONS

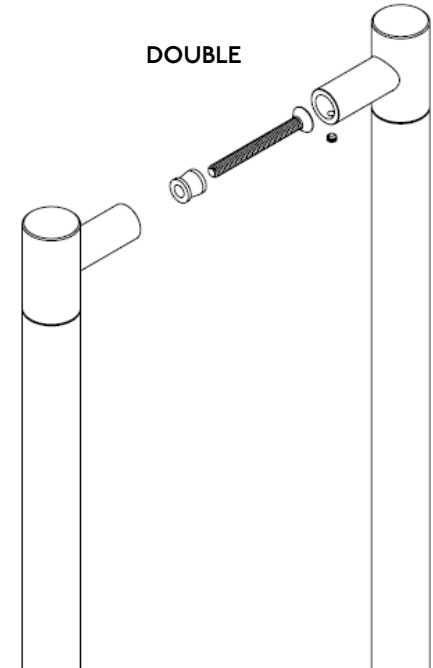
WOOD PANELS

- (!) Prepare the door by drilling holes at desired locations based on product hole spacing.
- ① Reference the relevant configuration on the right.
 - ② Install all components as shown without tightening fasteners all the way.
 - ③ Ensure all parts are lining up properly.
 - ④ Softly tighten large mounting screws to 48 inch-lbs (4 ft-lbs) or less to avoid crushing wood.
 - ⑤ Softly tighten small set screws to 30 inch-lbs (2.5 ft-lbs).

SINGLE



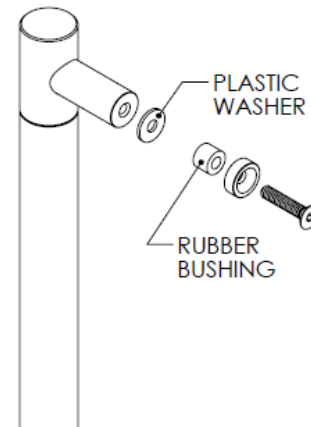
DOUBLE



GLASS PANELS

- (!) Reference the Inger Product Specifications document to confirm hole specifications.
- ① Reference the relevant configuration on the right.
 - ② Install all components as shown without tightening fasteners all the way.
- (!) The rubber bushings and plastic washers must be used with glass panels.
- ③ Ensure all parts are lining up properly.
 - ④ Tighten large mounting screws to 84 inch-lbs (7 ft-lbs).
 - ⑤ Softly tighten small set screws to 30 inch-lbs (2.5 ft-lbs).

SINGLE



DOUBLE

