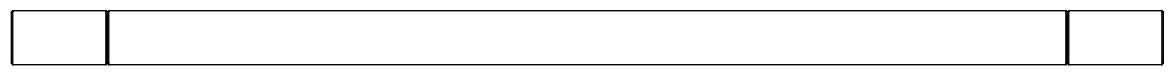
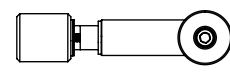
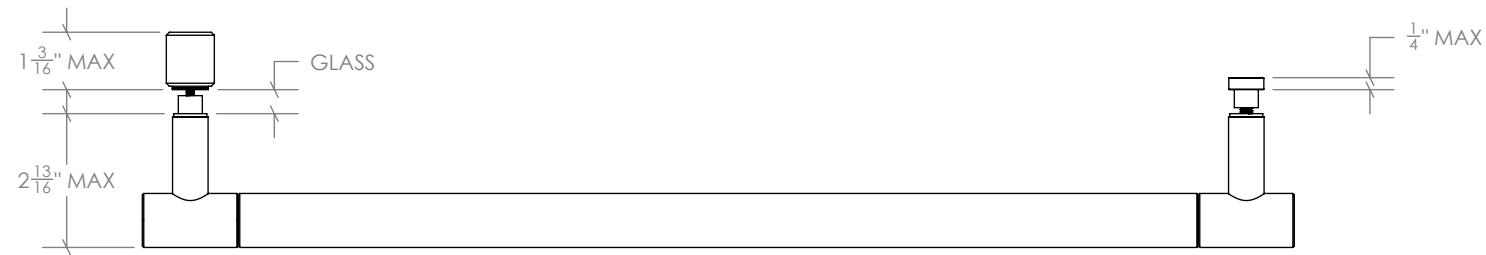
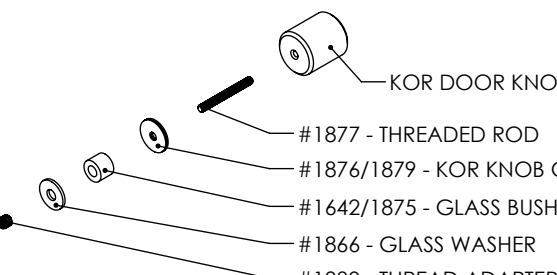


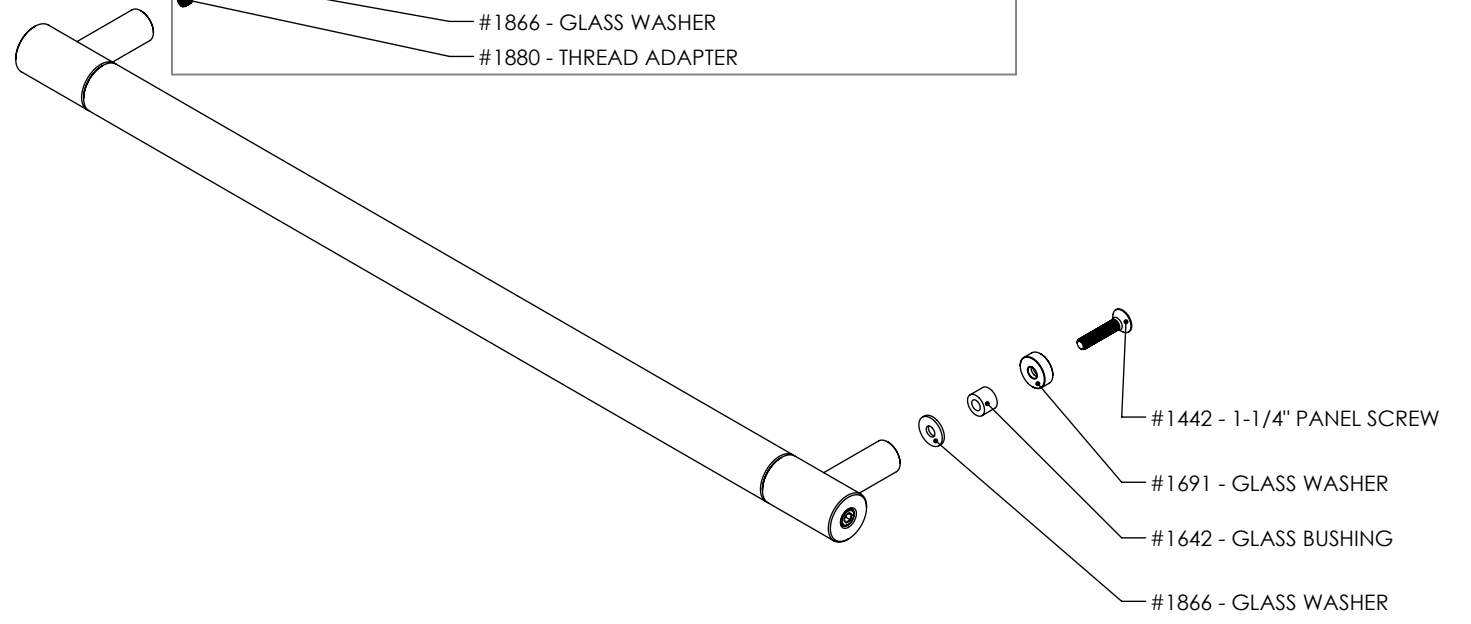
DOCUMENT:	PRODUCT SPECIFICATIONS	DOOR APPLICATION:	SINGLE & BI-PARTING	DRAWING SCALE:	3" = 1'-0" (1:4)	KROWNLAB 2351 NW York St. Portland, OR 97210 +1 503 292 6998 www.krownlab.com support@krownlab.com	
SYSTEM:	KOR TOWEL BAR	PANEL THICKNESS:	3/8" TO 3/4" (CONTACT US FOR PANELS OUTSIDE OF THIS RANGE)	UNITS:	INCHES		
MOUNTING STYLE:	GLASS (SEE GLASS SPECIFICATIONS PAGE FOR MORE INFORMATION)	MAXIMUM WEIGHT:	N/A	DATE:	3/26/2021		



OPTIONAL KOR DOOR KNOB KIT



- KOR DOOR KNOB
- #1877 - THREADED ROD
- #1876/1879 - KOR KNOB GLASS GASKET ASSEMBLY
- #1642/1875 - GLASS BUSHING ASSEMBLY
- #1866 - GLASS WASHER
- #1880 - THREAD ADAPTER



DOCUMENT:	PRODUCT SPECIFICATIONS	DOOR APPLICATION:	SINGLE & BI-PARTING	DRAWING SCALE:	3/4" = 1'-0" (1:16)	KROWNLAB 2351 NW York St. Portland, OR 97210 +1 503 292 6998 www.krownlab.com support@krownlab.com
SYSTEM:	KOR TOWEL BAR	PANEL THICKNESS:	3/8" TO 3/4" (CONTACT US FOR PANELS OUTSIDE OF THIS RANGE)	UNITS:	INCHES	
MOUNTING STYLE:	GLASS	MAXIMUM WEIGHT:	N/A	DATE:	3/26/2021	



ALL GLASS PANELS AND FIXED MOUNTING HARDWARE ARE TO BE SOURCED THROUGH GLASS INSTALLER OR OTHER PARTY, AND MUST MEET THE FOLLOWING REQUIREMENTS:

GLASS PANELS MUST BE FLAT POLISHED AND HAVE A 1MM CHAMFER ON ALL EDGES.

ALL HOLES MUST BE DRILLED OR CNC MACHINED WITH STRAIGHT WALLS AND SEAMED EDGES. DO NOT WATER-JET - NO TAPERED HOLES.

ALL TEMPERED GLASS IS SUBJECT TO EXPERIENCE SPONTANEOUS BREAKAGE. IT IS THE BUYERS RESPONSIBILITY TO DETERMINE AND APPROVE GLASS SPECIFICATION(S) SUITABLE TO MEET ALL FACTORS RELEVANT TO THEIR PARTICULAR USE OR APPLICATION IN CONJUNCTION WITH ALL KROWN LAB, INC.'S PRODUCTS.

REFERENCE ASTM C1048, 7.9.5

36" TOWEL BAR SHOWN WITH OPTIONAL KNOB

