

# ODEN

## TOP MOUNT

Combine elegance with outstanding long lasting performance. Featuring the Tru-Level track system, with an array of unique site adjustment features for fast and precise installation. Made in the USA from high-grade billet aluminum.

### FEATURES

- Fast and easy installs with the Tru-Level™ system, providing a full 1/4" vertical and lateral adjustment at all mounting points.
- Easily set and readjust door travel on site, even after install.
- High precision bearings provide silent and smooth door travel.
- ADA compatible door pull force at full panel weight.
- Designed in Portland, OR. Proudly Made In The USA.
- 10 year commercial warranty.

### SPECIFICATIONS

- Standard track lengths: one foot increments from 4' to 13'.
- Multiple tracks can easily be joined together on site.
- Tracks comes predrilled or undrilled.
- Made-to-measure available for any length and drill pattern.
- Easily modify track length on site with common tools.
- Accommodates glass and framed walls.

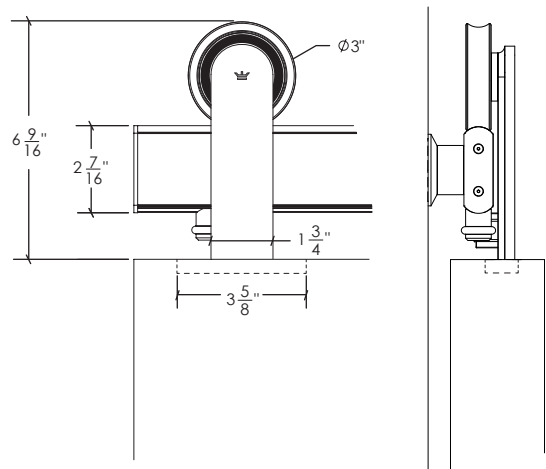
### WHAT'S INCLUDED

- 1 x track system with all necessary mounting hardware.
- 2 x door stops.
- 2 x trolleys with all necessary door mounting hardware.
- 1 x door bottom guide

Visit our website for all compatible options and add-ons.

### DETAILS

- For door panels 1-3/8" and thicker. Choose Face Mount for thinner panels, or contact us.
- Define door panel to wall clearance by adjusting trolley mounting position on top of door.
- Standard 400 lb door weight capacity. Contact us for heavier door panels.



### QUICK LOOK

#### FINISH OPTIONS

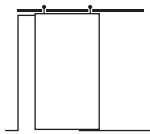


Brushed Stainless

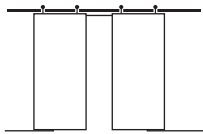


Black Stainless

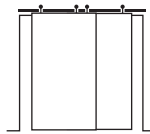
#### CONFIGURATIONS



Single



Bi-Parting



Bypassing

#### WEIGHT CAPACITY

400lb per panel. Contact us for heavier door panels.

#### PRICING

Trade discounts and volume pricing available.

#### ORDERING

To order, please contact:  
[support@krownlab.com](mailto:support@krownlab.com)  
+1 503 292 6998

#### MORE INFORMATION

For further product specifications and CAD, please visit:  
[www.krownlab.com/downloads](http://www.krownlab.com/downloads)