

SYSTEM OPTION - PREMIUM DOOR STOP INSTALLATION

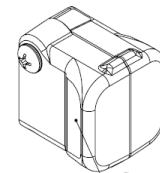
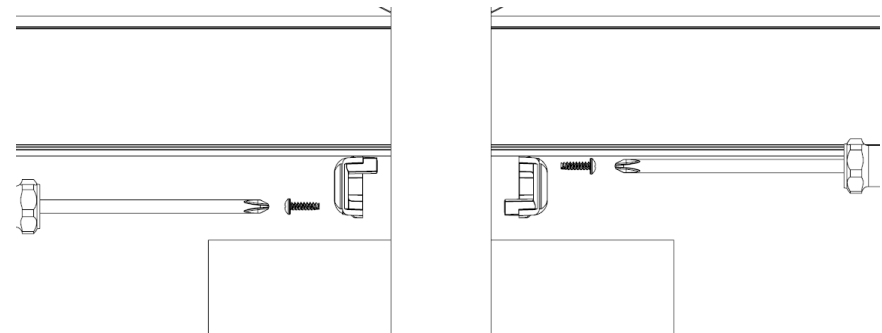
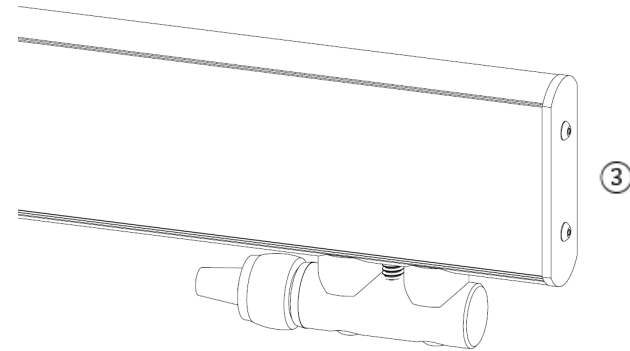
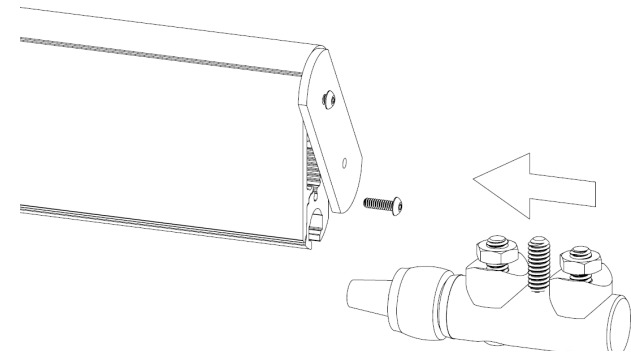
New installations

Simply follow standard steps in the main installation instruction document.

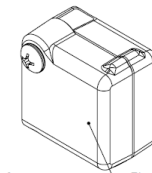
- (!) The Premium Door Stop is designed to compress when impacted. Door panels must have appropriate clearance to avoid damage from adjacent doors and objects.

Door Stop upgrade installations

- ① Remove the bottom screw and loosen the top screw of each end cap remove existing door stops.
 - ② Slightly loosen nuts on the Premium Door Stops and carefully guide both nuts into the track slot to install the Premium Door Stop assembly.
 - ③ Reattach end caps.
 - ④ Remove the installed Safety Stops (A) from the back of each trolley using a #2 Phillips screwdriver and install Premium Safety Stops (B).
 - ⑤ Position door stops ensuring desired door travel.
 - ⑥ Tighten the door stops in place by hand with an Allen wrench, confirming that the locations haven't shifted while tightening. Adjust if needed.
 - ⑦ Using a torque wrench, torque all fasteners to 108 inch-lbs (9 ft-lbs).
- (!) The Premium Door Stop is designed to compress when impacted. Door panels must have appropriate clearance to avoid damage from adjacent doors and objects.



④



Curved safety stops for standard door stops. (A)

Flat safety stops for premium door stop. (B)