



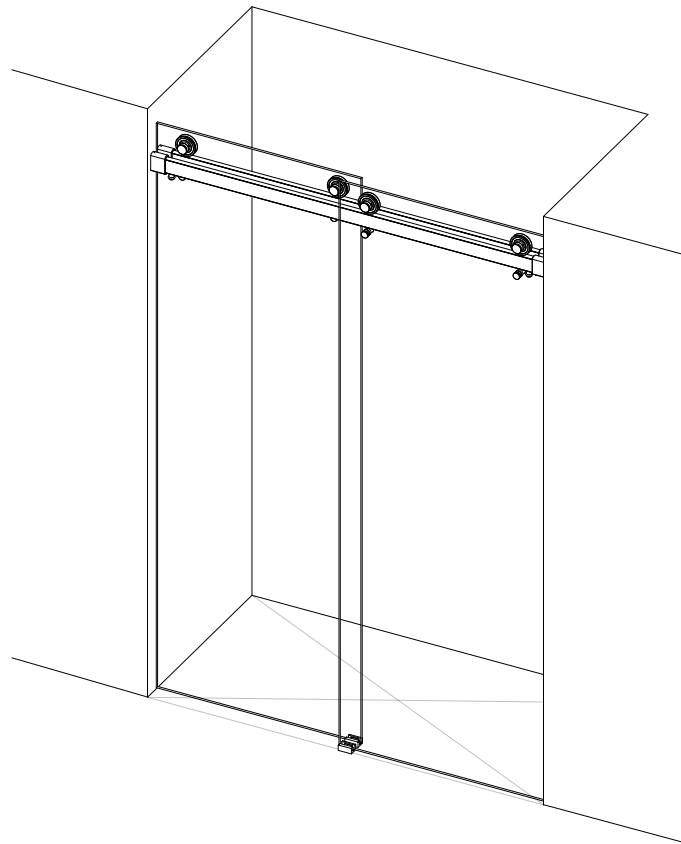
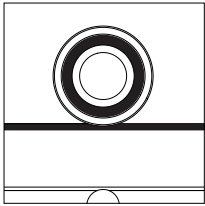
INSTALLATION INSTRUCTIONS



To deviate, or to not comprehensively and precisely follow all Krown Lab, Inc provided specifications and installation instructions can result in unsafe or hazardous site conditions that can cause bodily harm or death.

RORIK

ALCOVE, BYPASS



Product may be covered by pending and awarded U.S. patents. For more information visit www.krownlab.com

I. TOOLS + MATERIALS

TOOLS

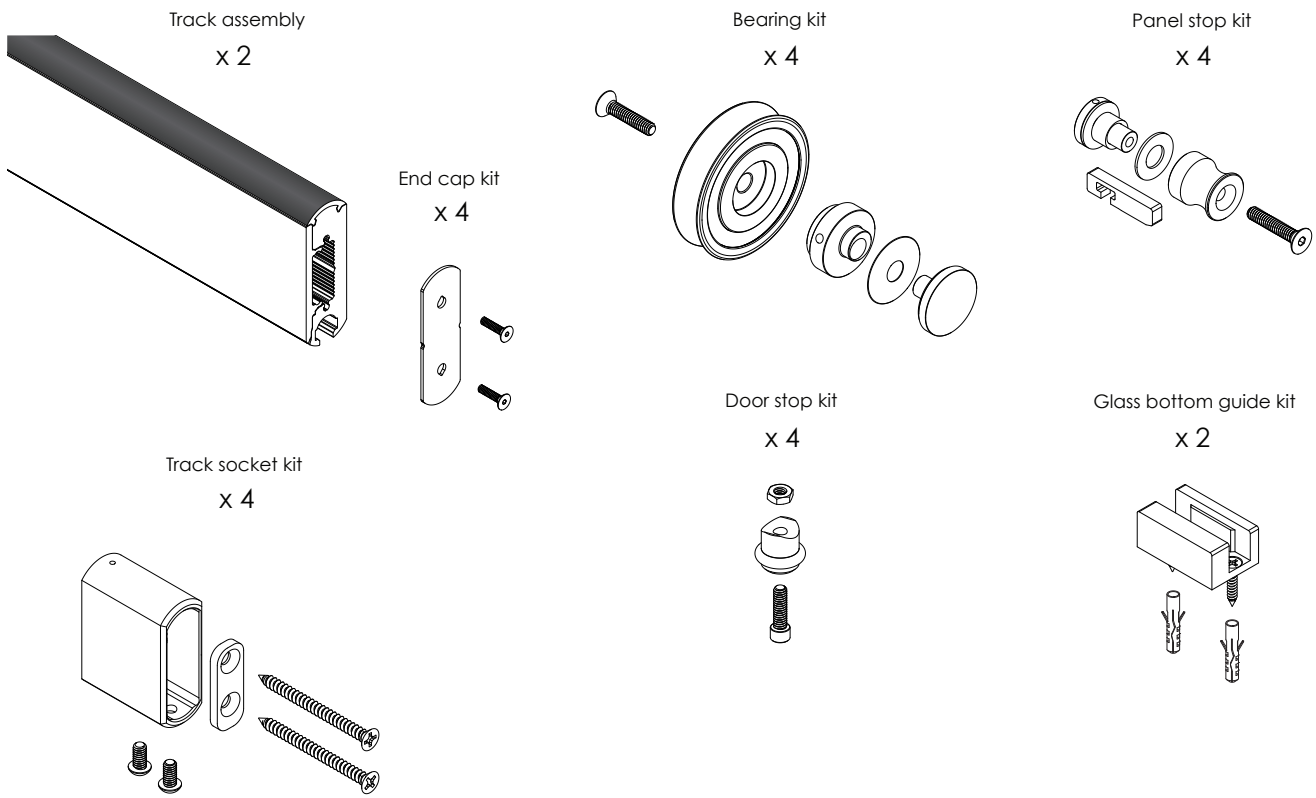
- 1/4" socket
- Torque wrench capable of measuring 110 in-lbs (9.5 ft-lbs)
- Miter saw and carbide toothed blade
- #3 Phillips driver and extension
- 3/8" tile or masonry drill bit
- Imperial allen wrench kit

MATERIALS

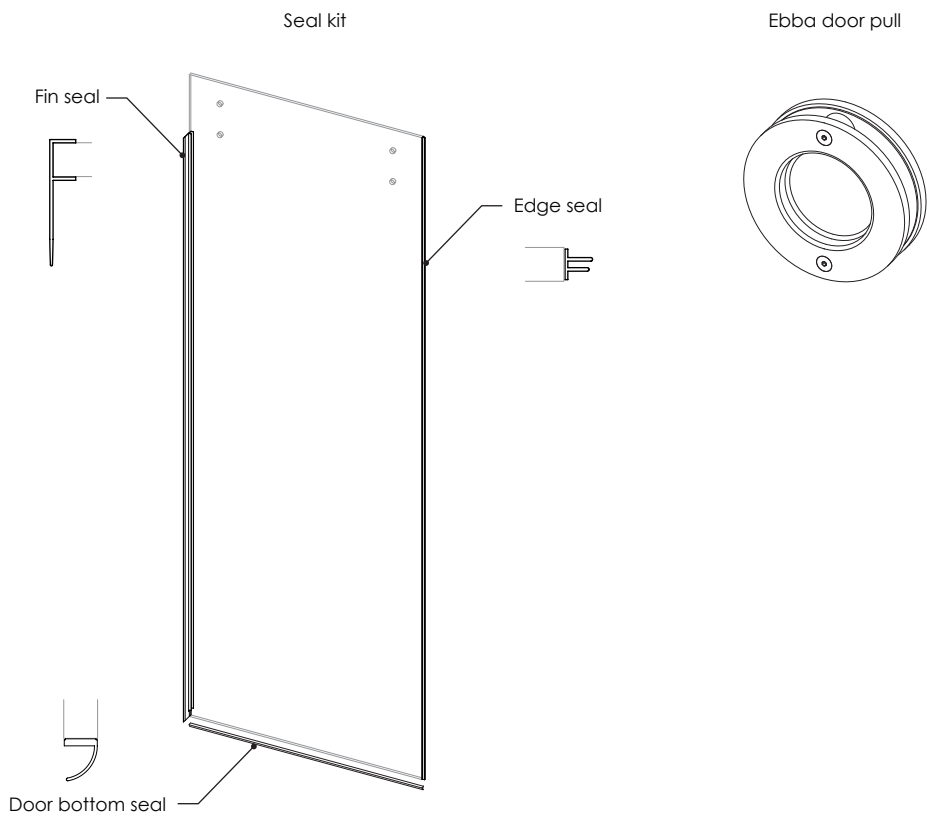
- Clear glazing silicone
- Blue painters tape
- Pencil or other non permanent marking tool
- Bottom glazing channel (optional)
- Glass panels fabricated for your project

2. VERIFY COMPONENTS

BASE KIT



SYSTEM OPTIONS AND ADDITIONS



3. GLASS INSPECTION

- ① Confirm accuracy of dimensions. Ensure holes are properly sized, seamed, and free of chips.
- ② Inspect all holes in the glass panels to ensure they are properly sized with straight walls, have seamed edges, and are free of chips.
- ③ Inspect all outside edges on the glass panels to ensure they are flat polished and have 1mm chamfers.

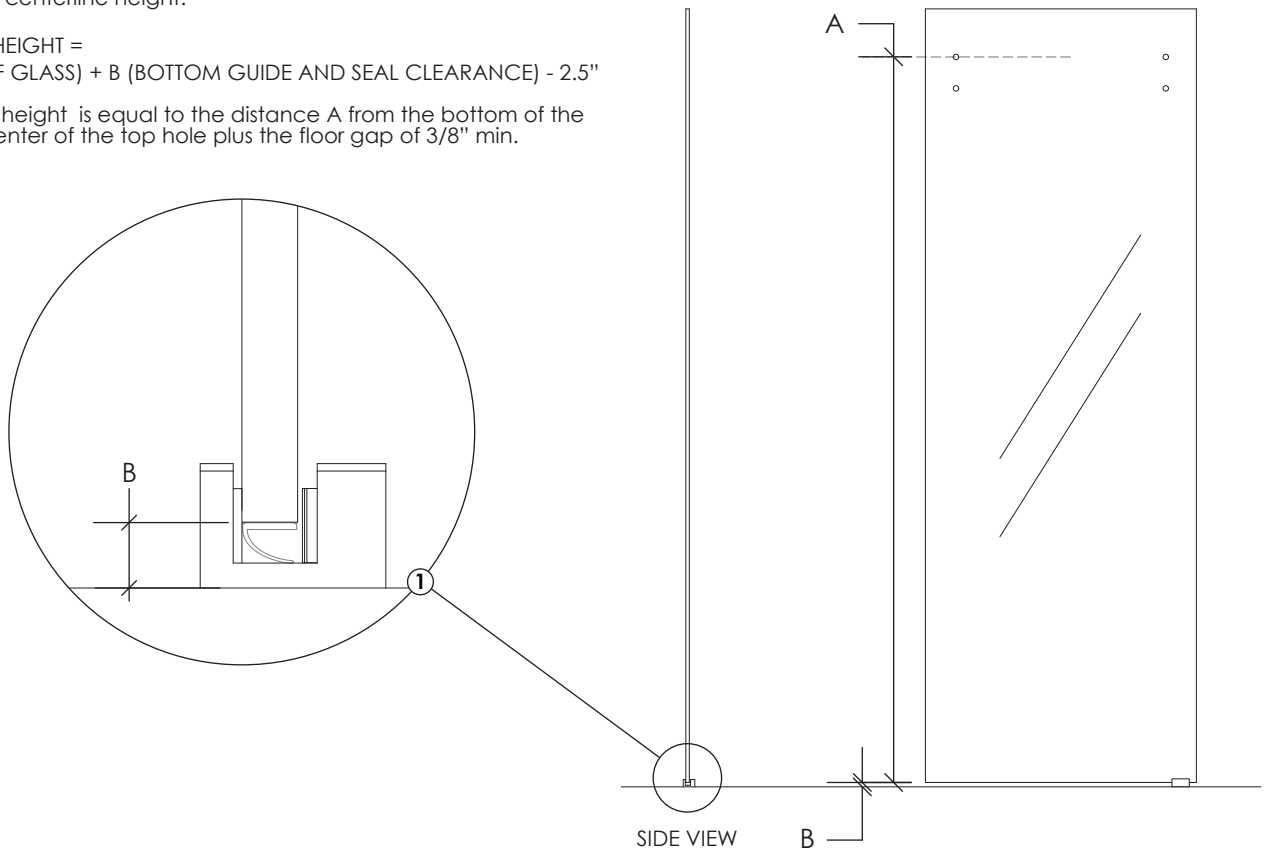
❗ Reference Rorik glass specs for additional information:
www.krownlab.com/downloads

4. DETERMINE TRACK CENTERLINE HEIGHT

- ① Determine the track centerline height:

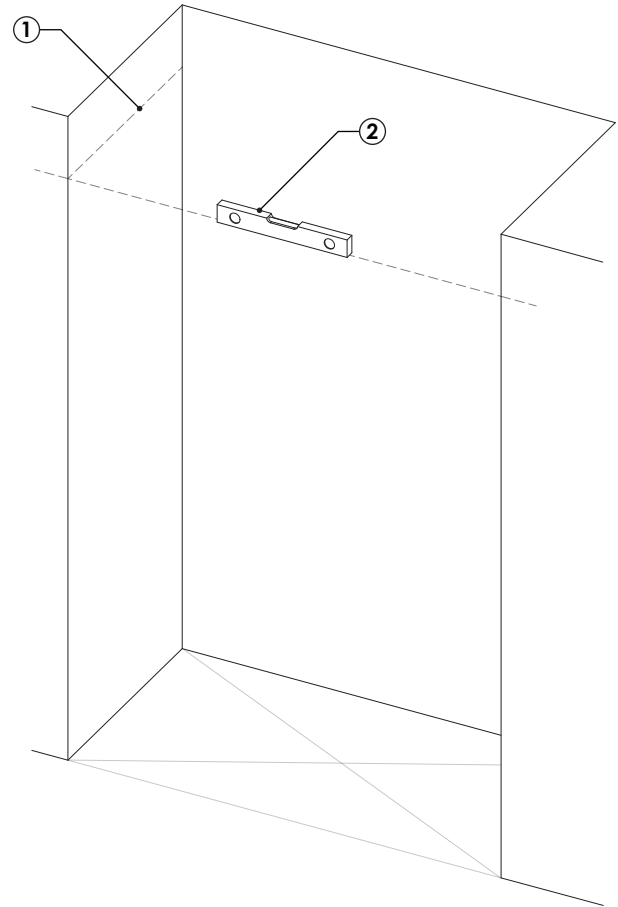
TRACK CENTERLINE HEIGHT =
A (HOLE-BOTTOM OF GLASS) + B (BOTTOM GUIDE AND SEAL CLEARANCE) - 2.5"

The track centerline height is equal to the distance A from the bottom of the door panel to the center of the top hole plus the floor gap of 3/8" min.



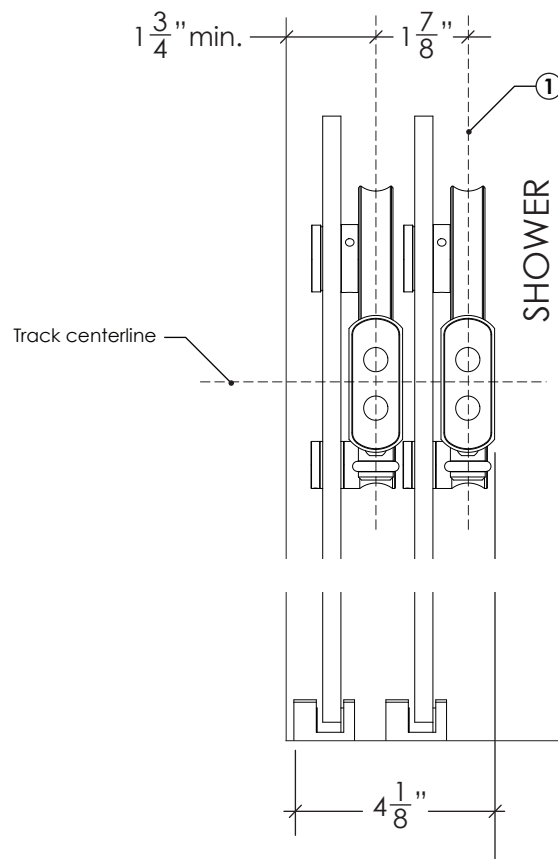
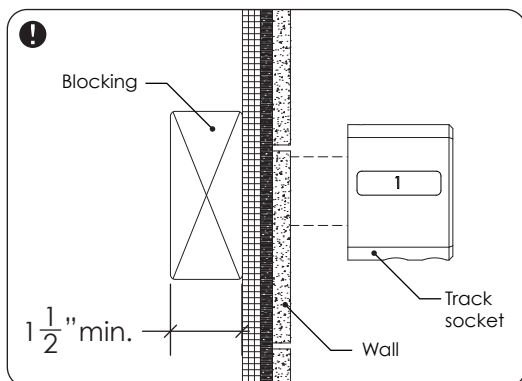
5. MARK TRACK CENTERLINE

- ① Mark the track centerline height determined in the previous step.
 - ② Transfer this mark to both sides of the opening using a level.
- ⚠ Measuring off the floor is not recommended because of potential slope. Be sure to check your floor for irregularities that will affect glass placement.



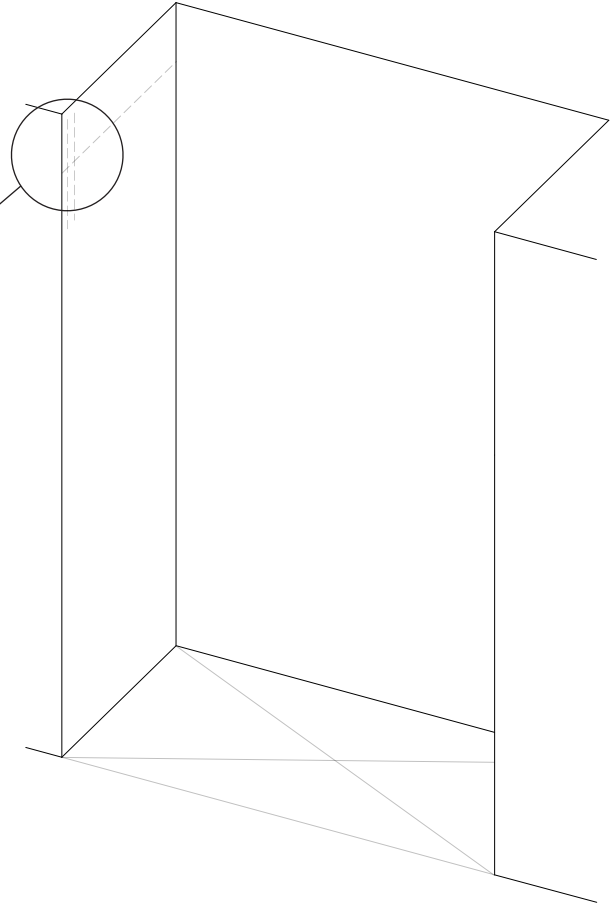
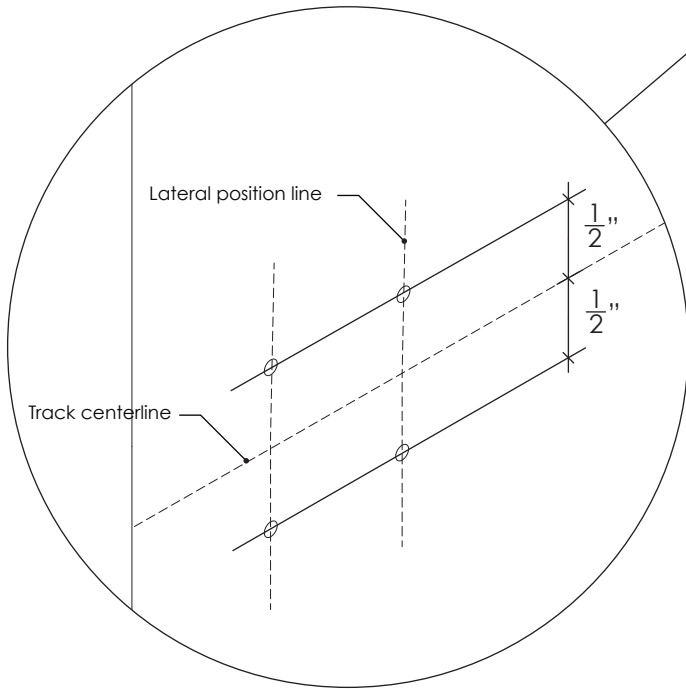
6. DETERMINE THE LATERAL TRACK POSITION

- ① Mark a vertical line representing the lateral position of the tracks. The track is inset a minimum of 1-3/4"
- ⚠ 1-1/2" of solid wood blocking required for track install.



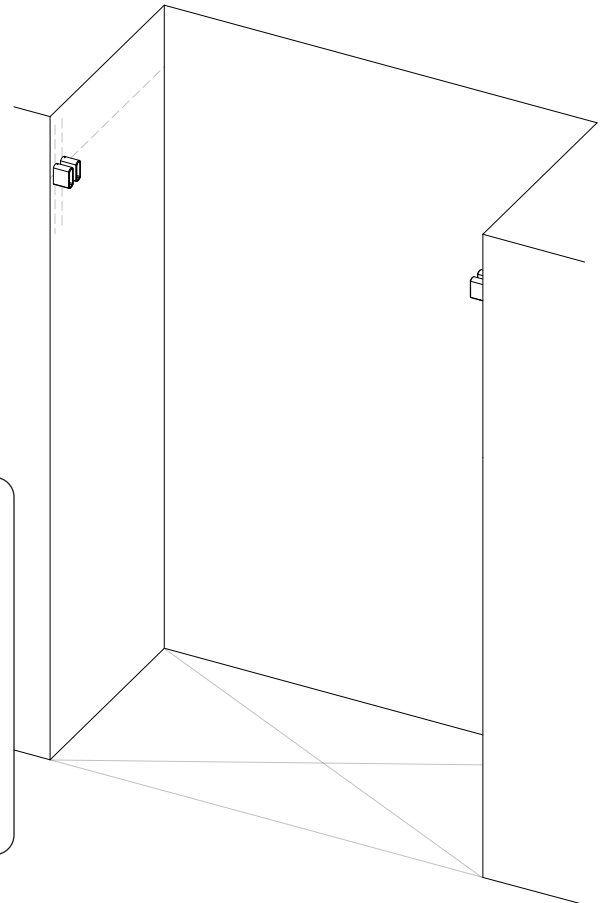
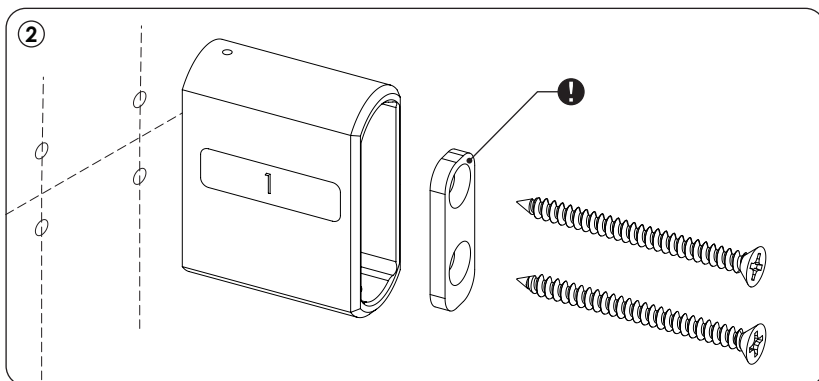
7. MARK MOUNTING HOLE LOCATIONS

- ① On each side of the opening, mark points $\frac{1}{2}$ " above and below the track centerline on the lateral position lines made in the previous step.



8. INSTALL TRACK SOCKETS

- ① Predrill holes at the marked locations.
 - $\frac{3}{8}$ " diameter recommended through tile layers
 - $\frac{1}{8}$ " diameter recommended in underlying wood.
 - ② Install the sockets as shown leaving the screws about a half a turn loose to allow for adjustment in next steps.
- ⚠ Note the orientation of the screw plate with the holes biased to the top.



9. MEASURE AND CUT TRACKS

① Measure your opening width at the track centerline.

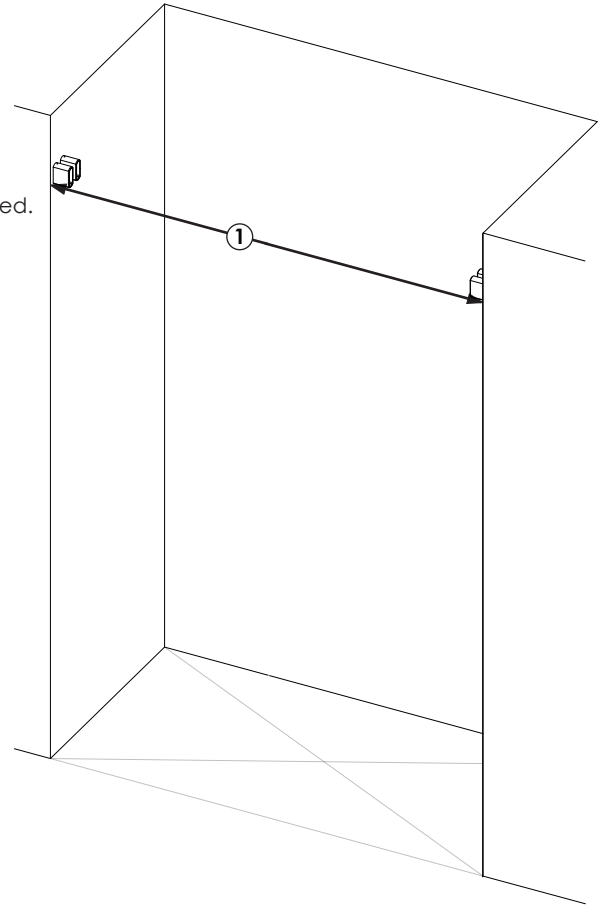
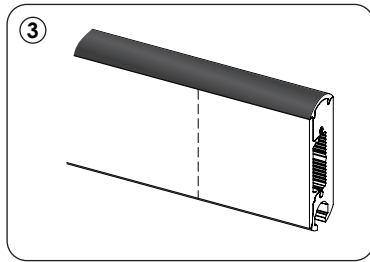
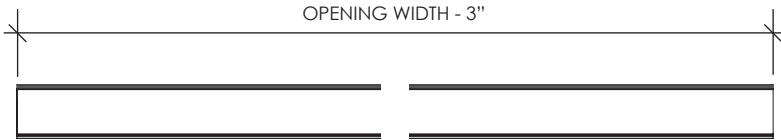
② Determine your track length:

$$\text{TRACK LENGTH} = \text{OPENING WIDTH} - 3''$$

③ Before cutting the track,

- Ensure springs are clear of cut zones and end caps and loose nuts are removed.
- Align track base and cover flush on one end.
- Tightly wrap the assembly with a short strip of painters tape to prevent sliding.
- Trim-cut one end for optimal alignment.

④ Now make your mark and cut track to length.



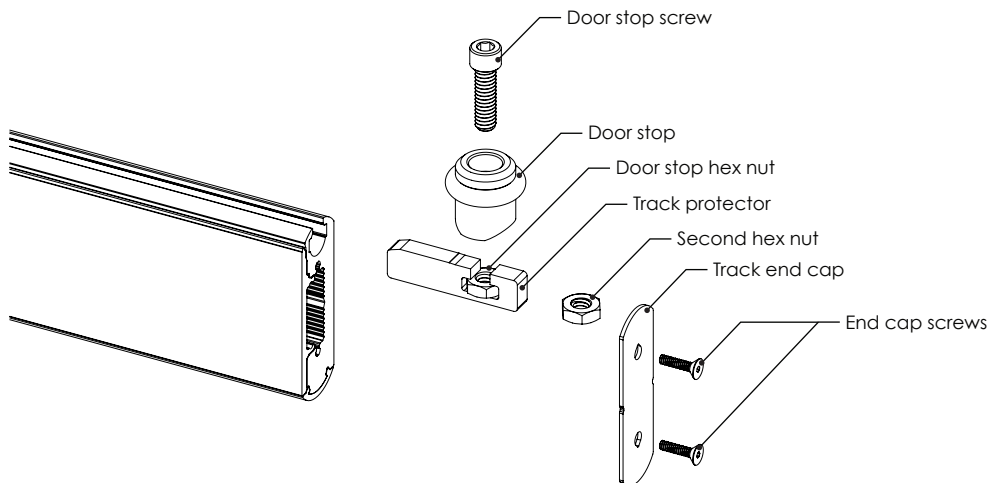
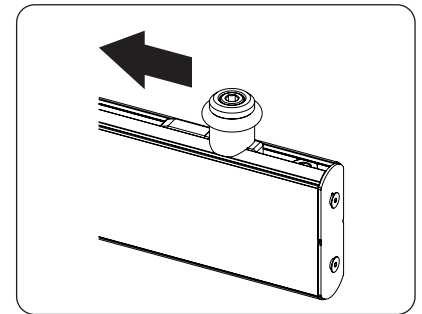
10. TRACK PREASSEMBLY

① With the track upside-down, position one hex nut in the black polymer track protector as shown and insert into the bottom channel of the track base. Attach the door stop kit as shown and slide assembly towards center of track.

⚠ Note the correct position and orientation of the hardware shown.

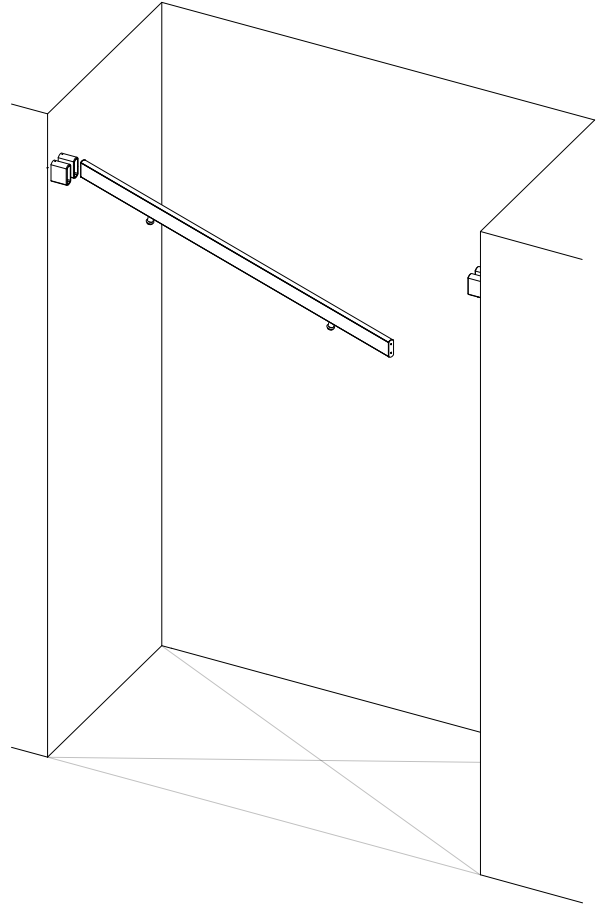
② Install a second hex nut behind in the channel following the installed track protector. Repeat this process for the other end of the track.

③ Cap the ends of the track by attaching the track end caps using a 1/16\" allen wrench and the provided screws.



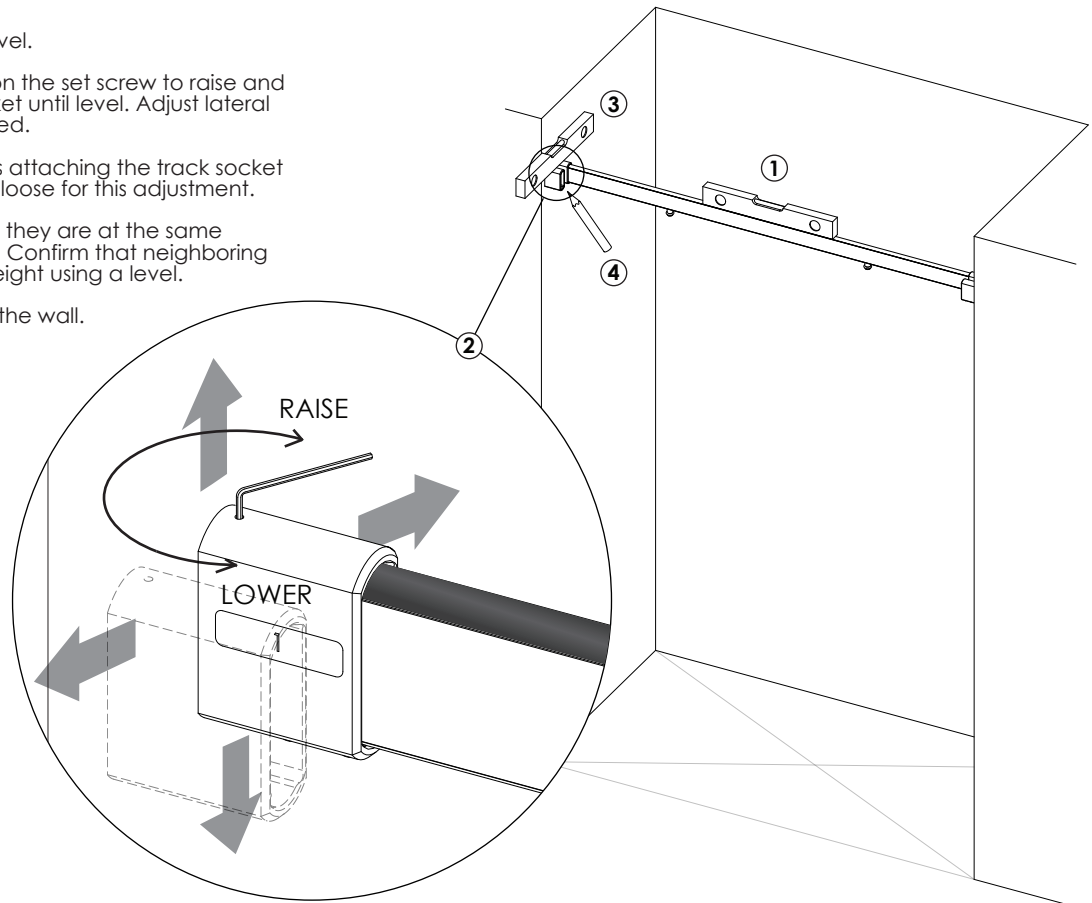
II. TEMPORARILY INSTALL REAR TRACK

- ① Install the track into the rear sockets one end at a time. Center track so that each end is partially inserted in the track sockets.



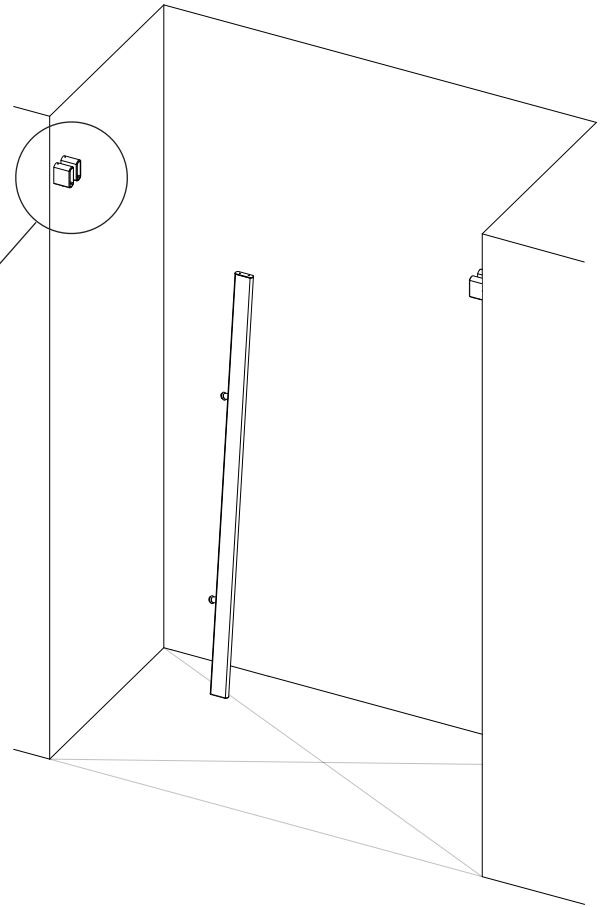
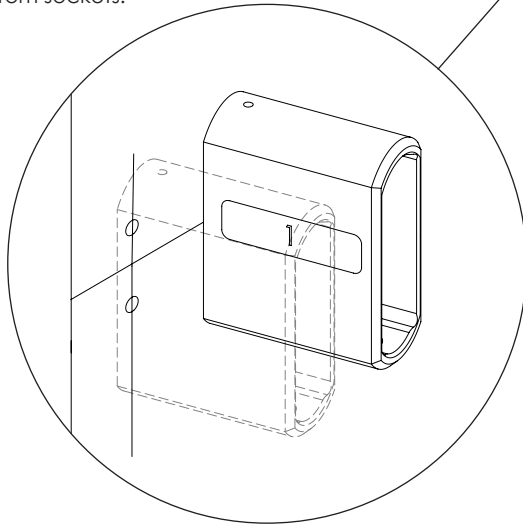
I2. ADJUST TRACK POSITION

- ① Check the rear track for level.
- ② Use a 1/16" allen wrench on the set screw to raise and lower each rear track socket until level. Adjust lateral position manually as needed.
- ⚠ Remember that the screws attaching the track socket to the wall must be slightly loose for this adjustment.
- ③ Adjust front sockets so that they are at the same height as the rear sockets. Confirm that neighboring sockets are at the same height using a level.
- ④ Mark the final positions on the wall.



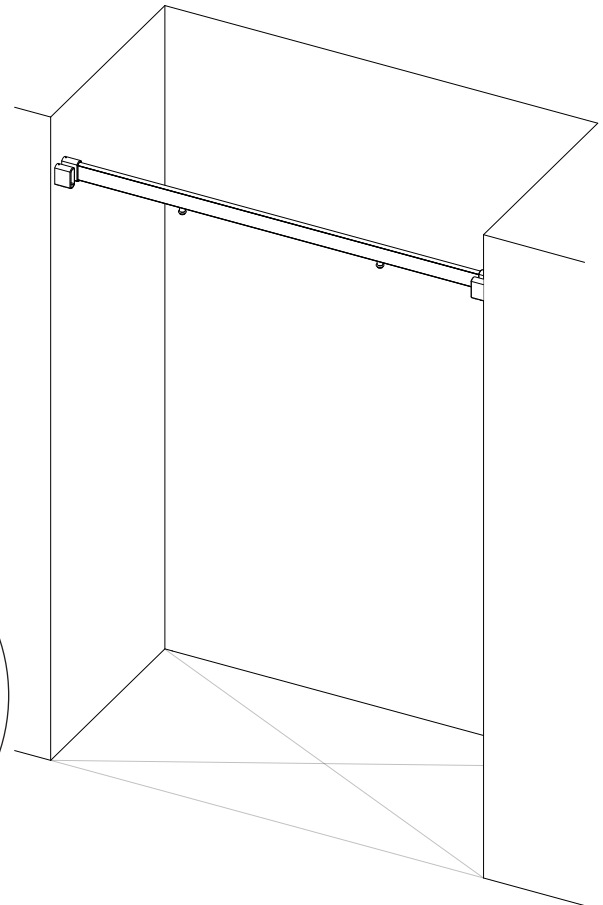
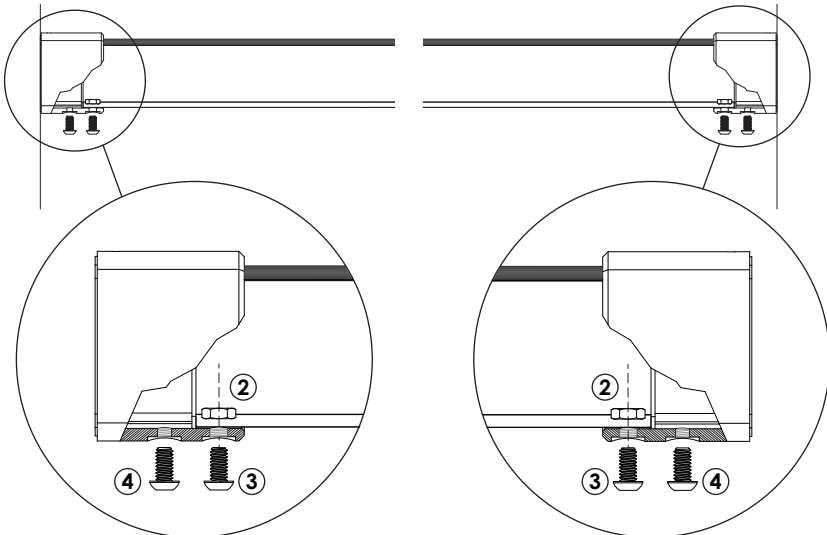
13. TIGHTEN TRACK SOCKETS

- ① Take down the track and remove the track sockets from the wall.
- ⚠ Be sure to note which numbered socket goes on which side! Set screws are likely to be in unique positions from socket to socket.
- ② Fill the drilled holes in the wall with silicone for moisture protection.
- ③ Reinstall the sockets aligning them with the final position marks. Confirm that the track sockets are again straight and tighten the mounting screws.
- ⚠ Ensure each socket is vertical.
- ④ Remove labels from sockets.



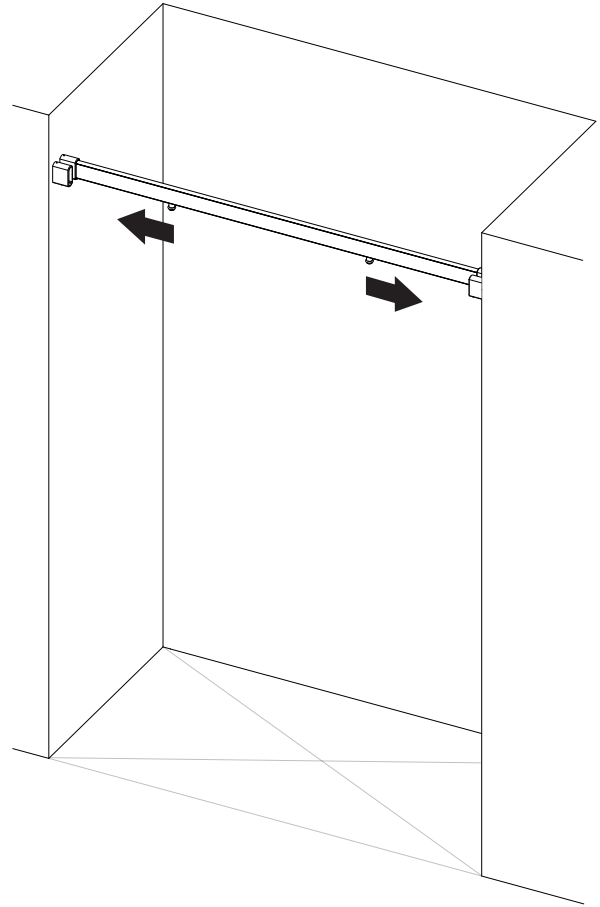
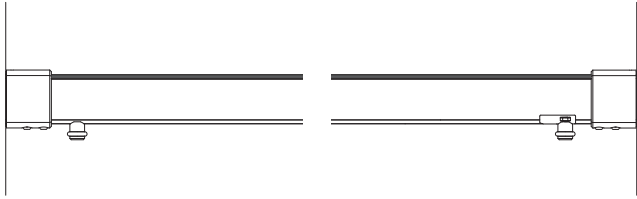
14. REINSTALL REAR TRACK

- ① Reposition the rear track into the tightened track sockets.
- ② Slide the previously inserted hex nuts over the holes nearest the opening of each socket. Adjust position of track as needed.
- ③ Install a button head screw into the hex nut at each end.
- ④ Install a button head screw into the remaining threaded on the bottom of each track socket.
- ⑤ Torque all 4 button head screws to 110 in-lbs (9.5 ft-lbs).



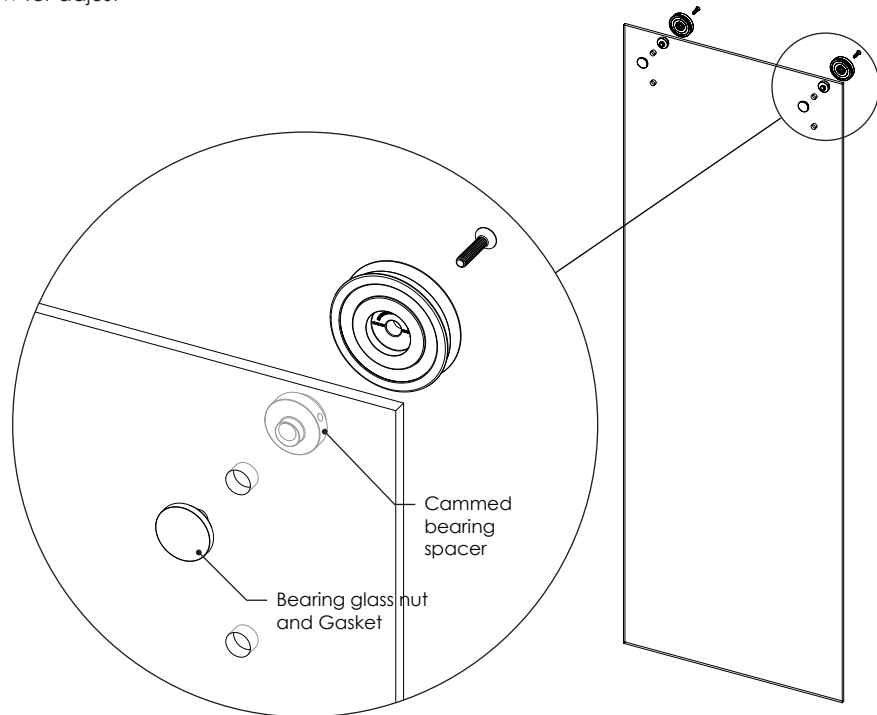
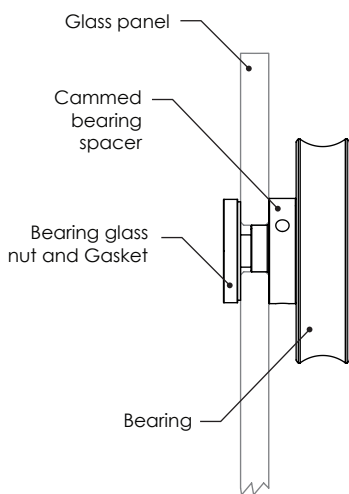
15. MOVE DOOR STOPS

- 1 Locate the door stops and slide each to the ends of the track. Leave loose for now.



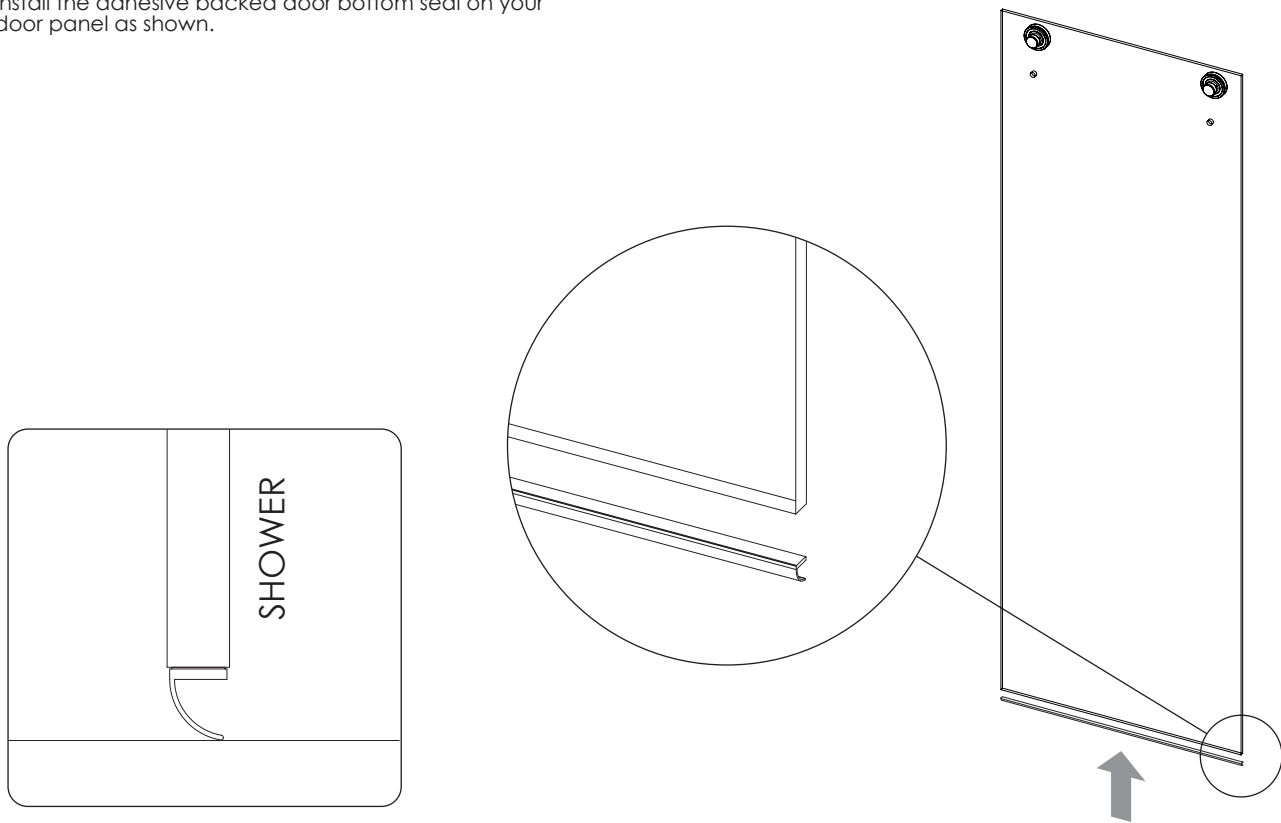
16. ATTACH BEARING ASSEMBLIES

- 1 Attach the bearing assemblies on the door as shown.
- 2 Leave the screw half a turn loose to allow for adjustment in next steps.



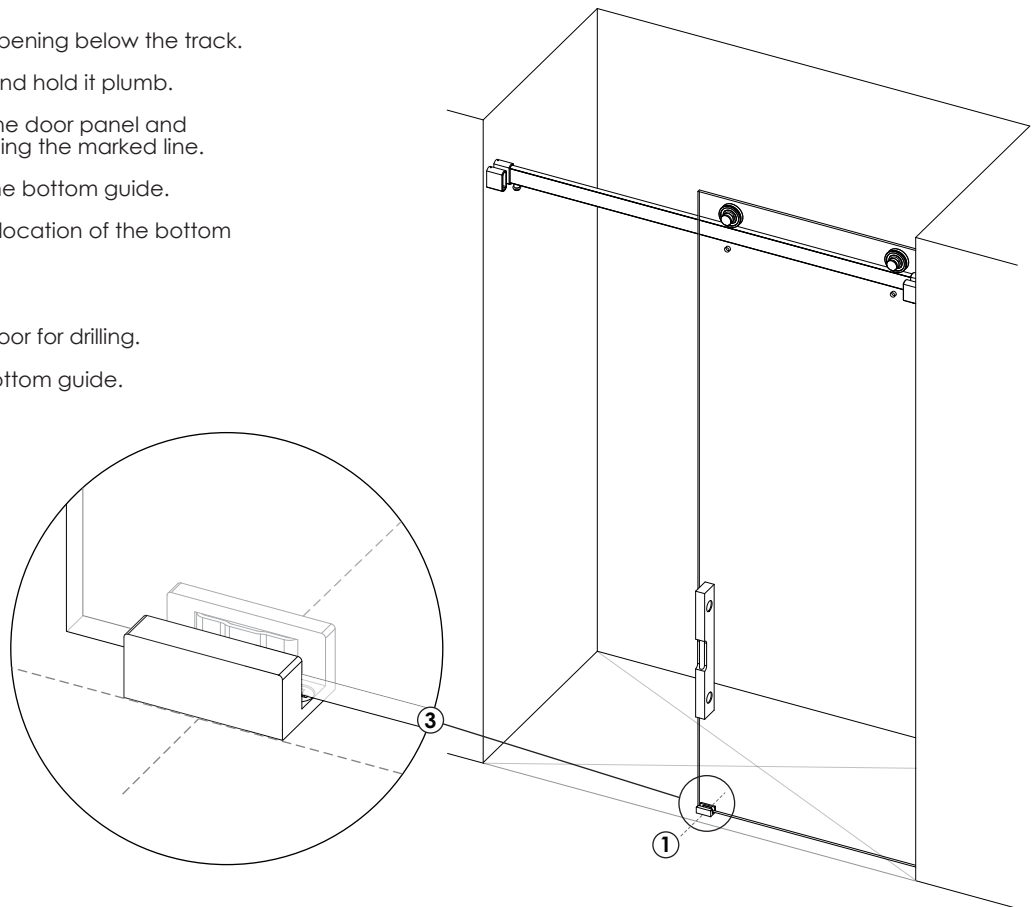
17. OPTIONAL - INSTALL LOWER DOOR SEAL

- 1 Install the adhesive backed door bottom seal on your door panel as shown.



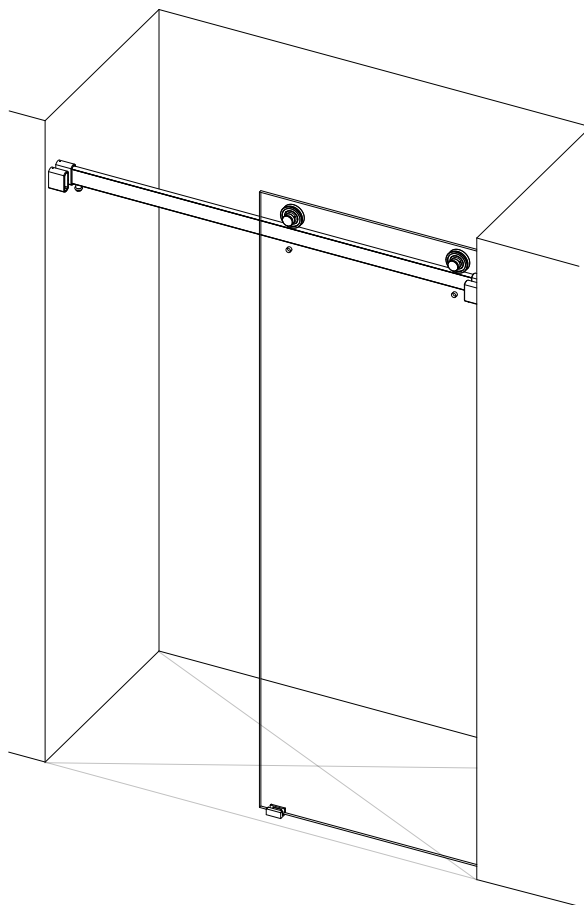
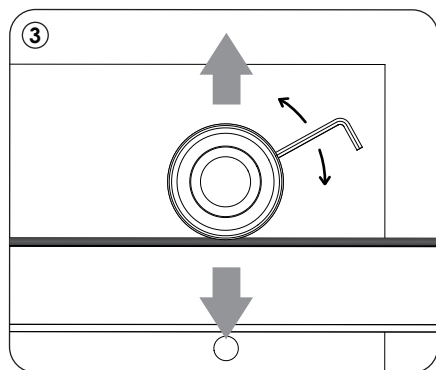
18. INSTALL BOTTOM GUIDE

- 1 Mark the center of the shower opening below the track.
- 2 Carefully hang the door panel and hold it plumb.
- 3 Position a bottom guide under the door panel and center it in the opening referencing the marked line.
- 4 Note the proper orientation of the bottom guide.
- 5 With the panel plumb, mark the location of the bottom guide.
- 6 Set the door panel aside.
- 7 Mark the hole locations on the floor for drilling.
- 8 Predrill, silicone and install the bottom guide.



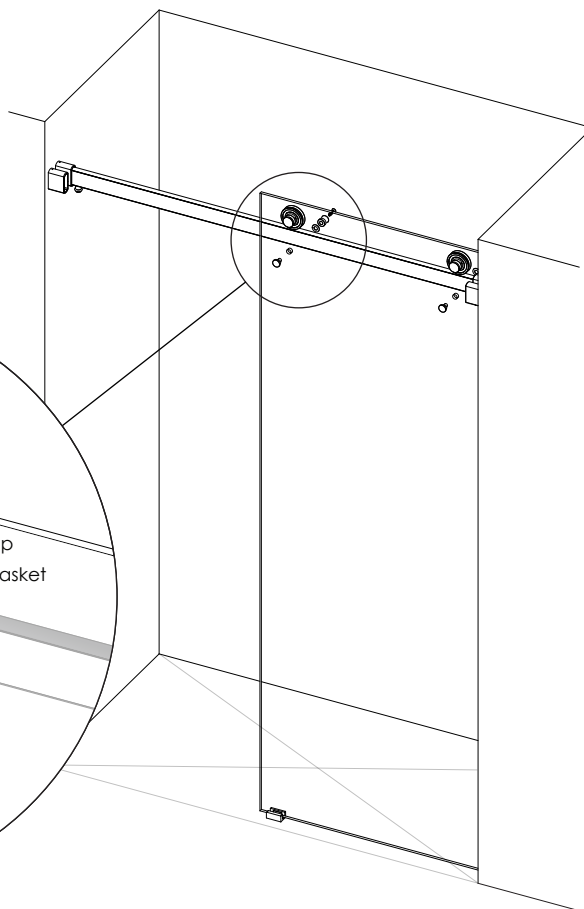
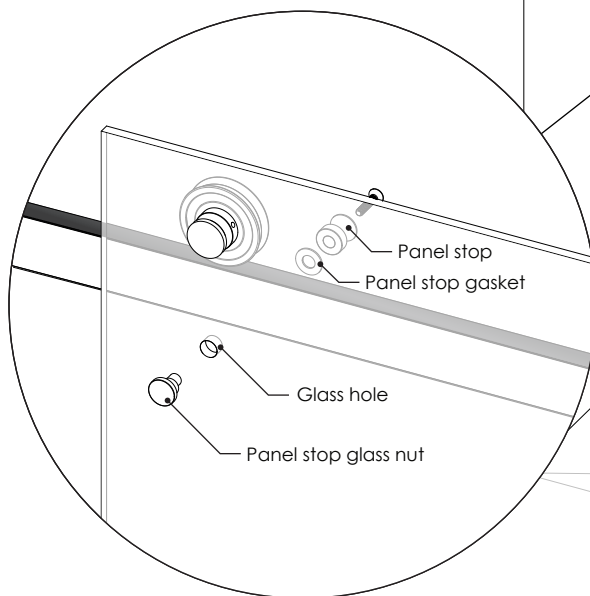
19. INSTALL DOOR PANEL

- ① Carefully guide the bottom of the door panel into the bottom guide and hang the door on the track.
- ⚠ Note that door panel travel is not constrained.
- ② Slide the panel to the closed position. Make sure that the bottom seal (if used) is not under load by the weight of the door panel.
- ③ Square the door panel with the wall by rotating the cammed bearing spacer with a 5/32" allen wrench to raise or lower each side of the door.
- ⚠ Bottom seal should lightly touch the floor and freely pass through the bottom guide.
- ④ Torque the screws to 110 in-lb (9.5 ft-lbs) making sure that the cammed bearing spacer maintains its position during tightening.
- ⑤ Confirm that the door panel and seals adequately clear the base of the bottom guide in all positions and that the glass panel remains adequately engaged with black polymer portion of the bottom guide. If necessary, adjust the position of the bearings or height of the track as outlined in previous steps.



20. ATTACH PANEL STOPS

- ① Assemble the panel stops onto the door as shown, leaving the screws half a turn loose for adjustment.
- ⚠ Ensure that the panel stop gaskets are used!
- ② Rotate the panel stop glass nuts to raise and lower the assemblies. Adjust so that the panel stop just clears the track protectors on each end of the track.
- ③ Torque the screws to 110 in-lbs (9.5 ft-lbs) making sure that the panel stop position does not change during tightening.



21. OPTIONAL - INSTALL DOOR SEALS

① Install fin seal:

-Cut seal to length: SEAL LENGTH = door height - 8"

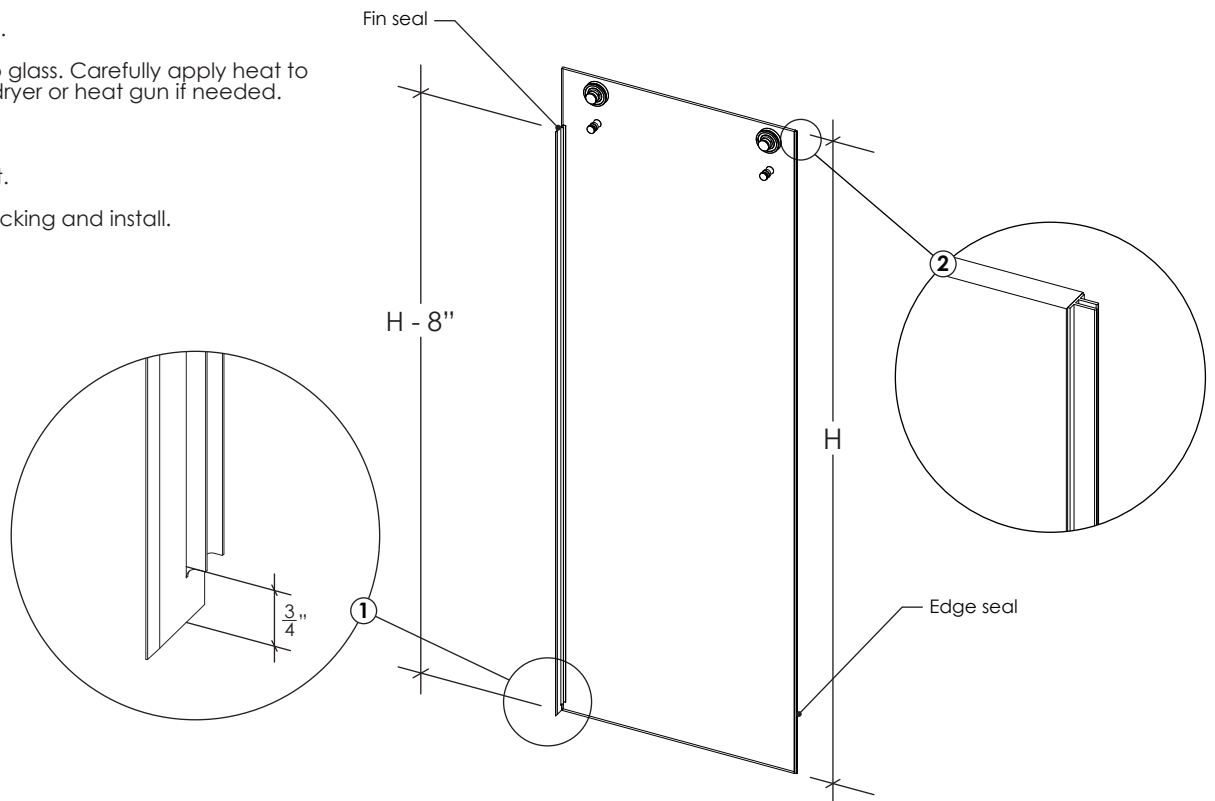
-Trim bottom as shown.

⚠ Do not force seal onto glass. Carefully apply heat to soften seal using hair dryer or heat gun if needed.

② Install edge seal:

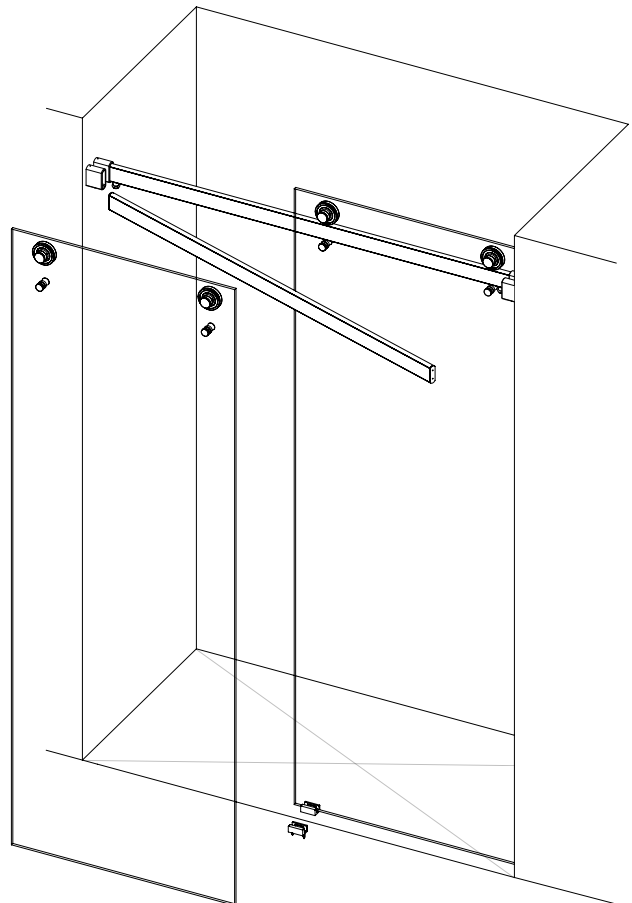
-Cut to full door height.

-Remove adhesive backing and install.



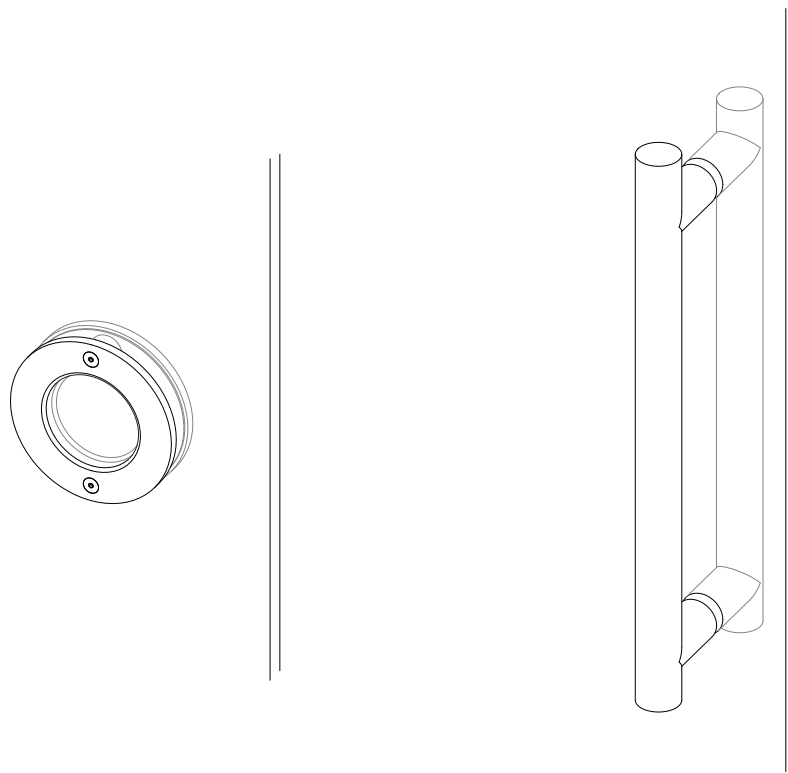
22. INSTALL OUTER TRACK AND DOOR PANEL

① With the inner track and door installed, repeat steps to install the outer track and door panel.



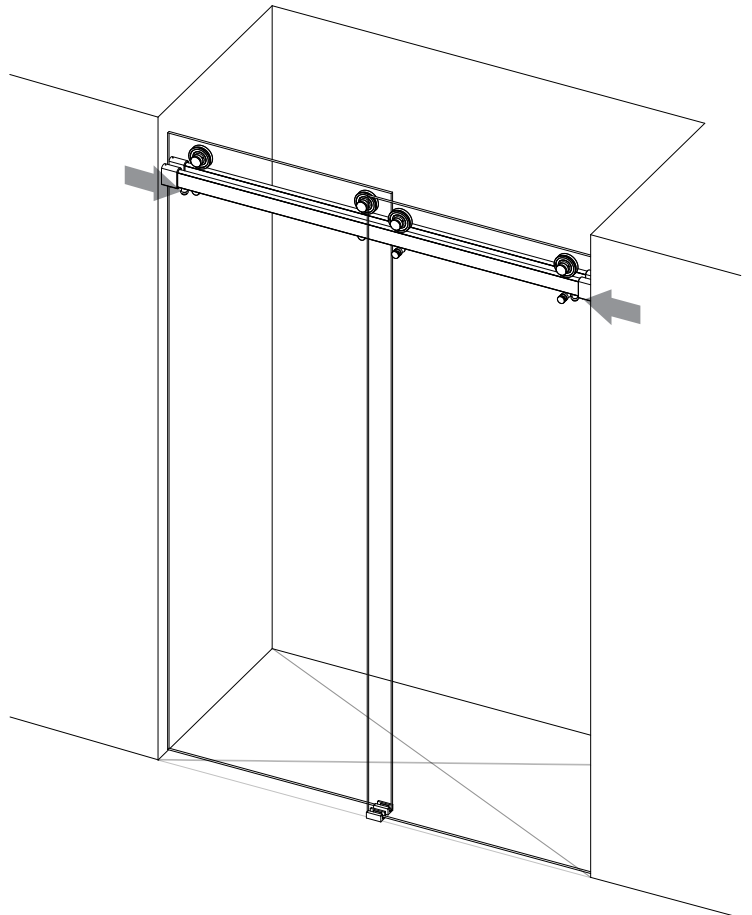
23. INSTALL DOOR PULLS

- ① Attach door pulls.



24. SET DOOR TRAVEL

- ① Reposition the door stops to set the desired travel of the door panel.
- ⚠ Note any protruding door pulls!
- ② Torque the screws to 110 in-lb (9.5 ft-lbs).



25. CARE AND MAINTENANCE

- ❗ Krownlab products require routine care and maintenance. Read and understand these requirements in our Product Care & Maintenance guide.
- ① Thoroughly clean product and remove all debris and fingerprints immediately after installation as described in our Product Care & Maintenance guide.
- ② Enjoy your exceptional new Krownlab Sliding Door System.