
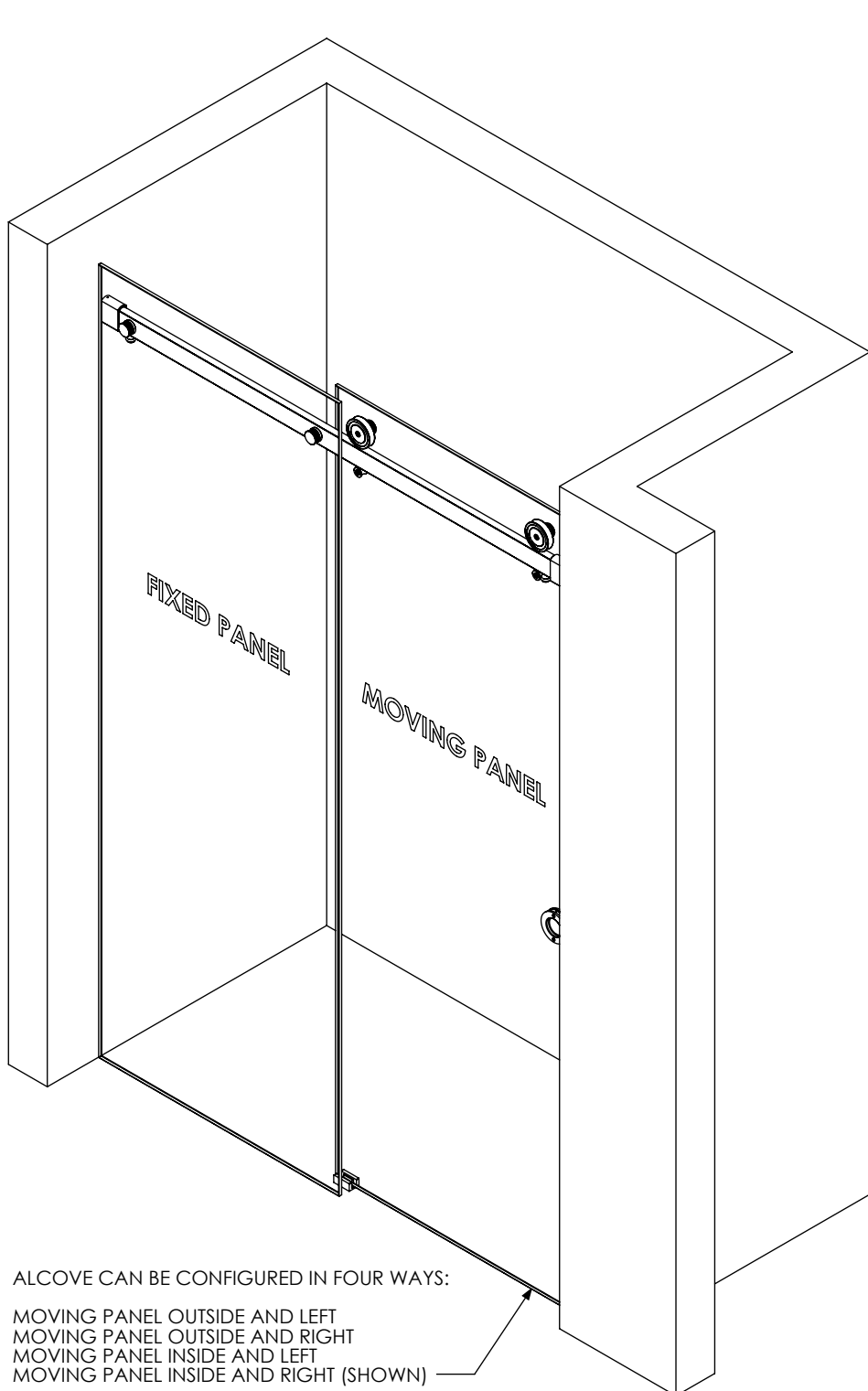


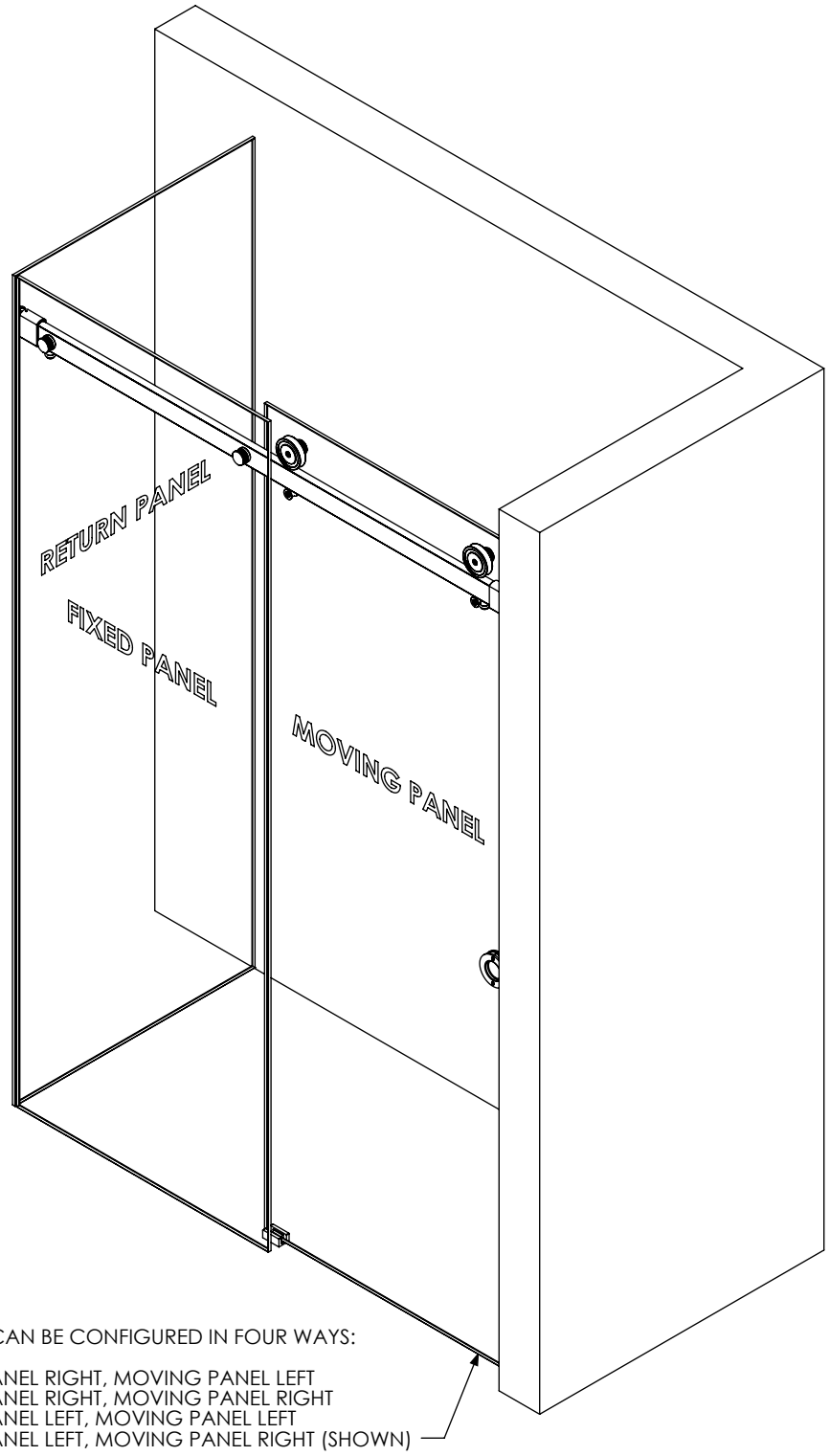
DOCUMENT:	PRODUCT SPECIFICATIONS - CONFIGURATIONS	DOOR APPLICATION:	ALCOVE, CORNER, BYPASSING	DRAWING SCALE:	3/4" = 1'-0" (1:16)	KROWNLAB 2351 NW York St. Portland, OR 97210 +1 503 292 6998 www.krownlab.com support@krownlab.com	
SYSTEM:	RORIK	PANEL THICKNESS:	3/8" TO 1/2" (CONTACT US FOR PANELS OUTSIDE THIS RANGE)	UNITS:	INCHES		
MOUNTING STYLE:	GLASS	MAXIMUM WEIGHT:	TRACK CONFIGURATION DEPENDENT	DATE:	12/28/2018		

**ALCOVE**



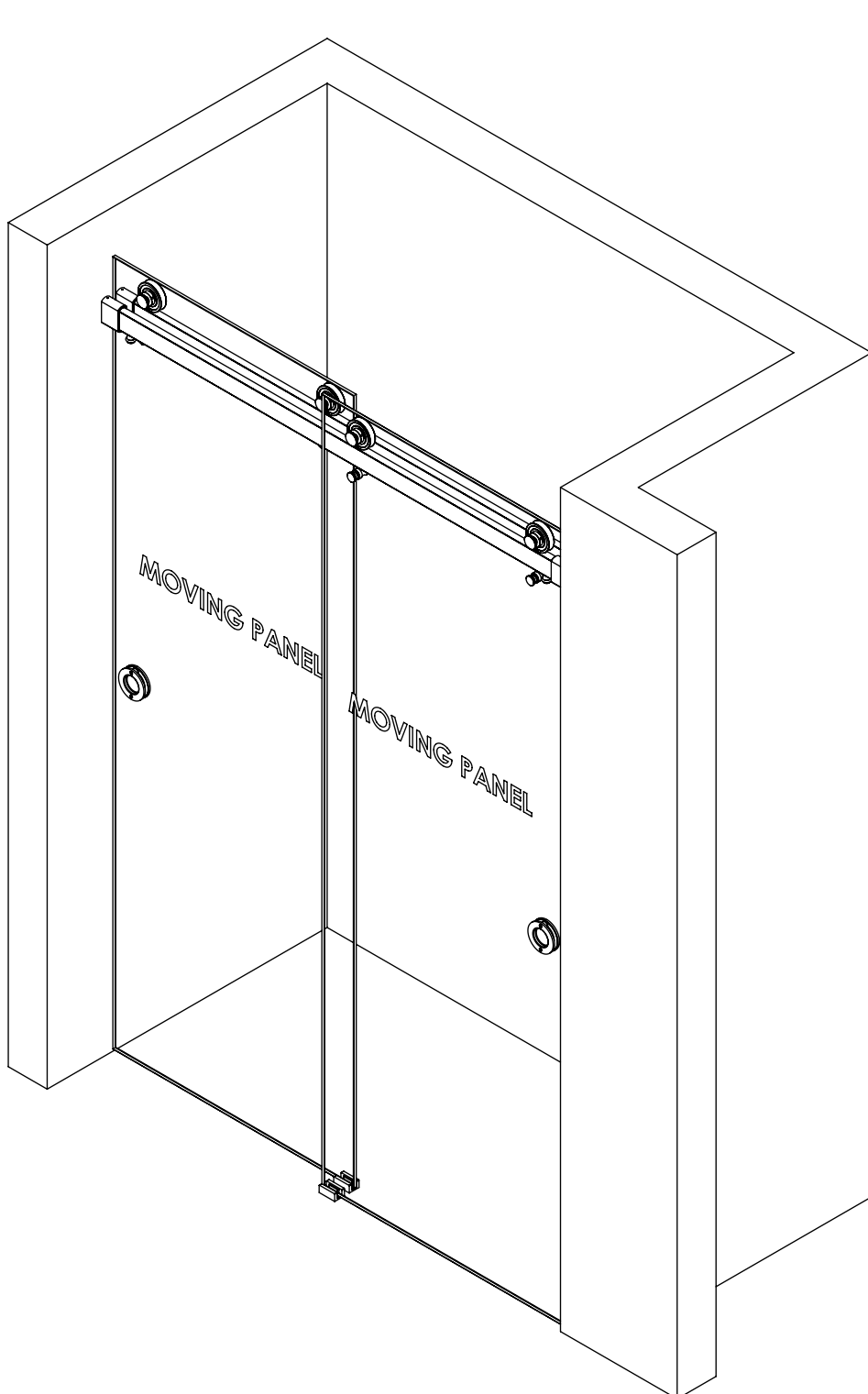
ALCOVE CAN BE CONFIGURED IN FOUR WAYS:  
 MOVING PANEL OUTSIDE AND LEFT  
 MOVING PANEL OUTSIDE AND RIGHT  
 MOVING PANEL INSIDE AND LEFT  
 MOVING PANEL INSIDE AND RIGHT (SHOWN)

**CORNER**



CORNER CAN BE CONFIGURED IN FOUR WAYS:  
 RETURN PANEL RIGHT, MOVING PANEL LEFT  
 RETURN PANEL RIGHT, MOVING PANEL RIGHT  
 RETURN PANEL LEFT, MOVING PANEL LEFT  
 RETURN PANEL LEFT, MOVING PANEL RIGHT (SHOWN)

**BYPASSING**



DOCUMENT: PRODUCT SPECIFICATIONS  
 SYSTEM: RORIK  
 MOUNTING STYLE: GLASS

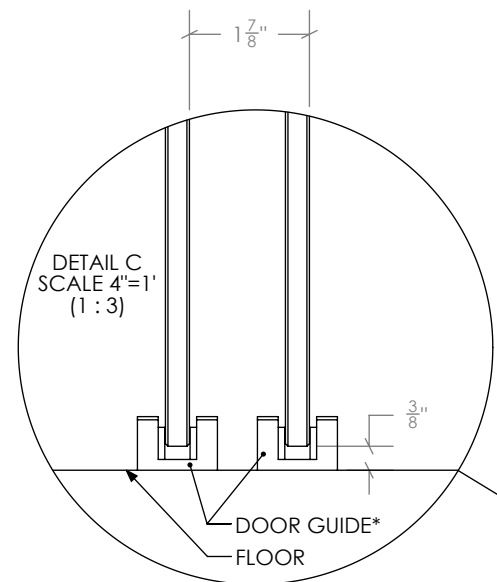
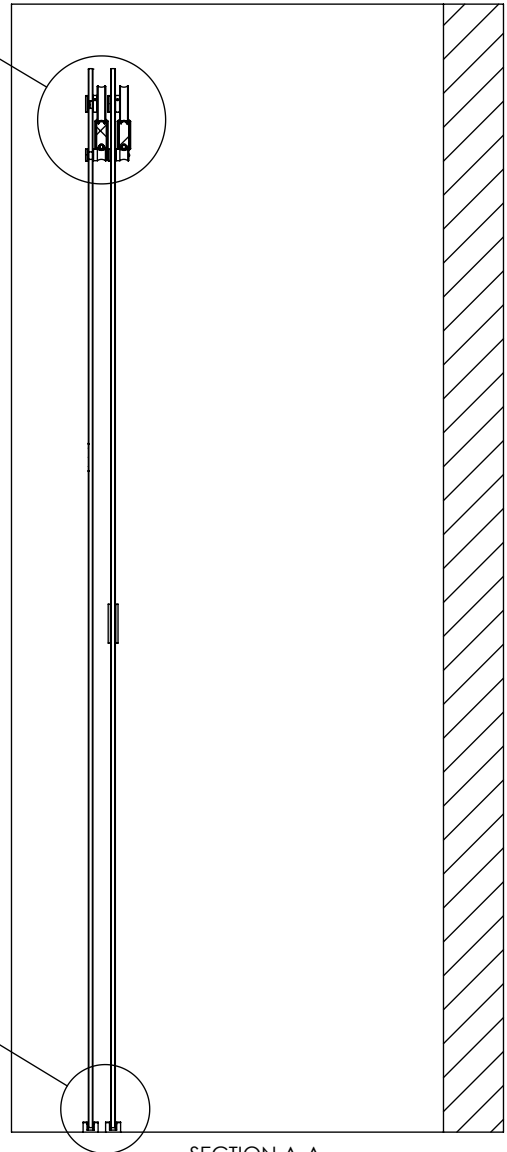
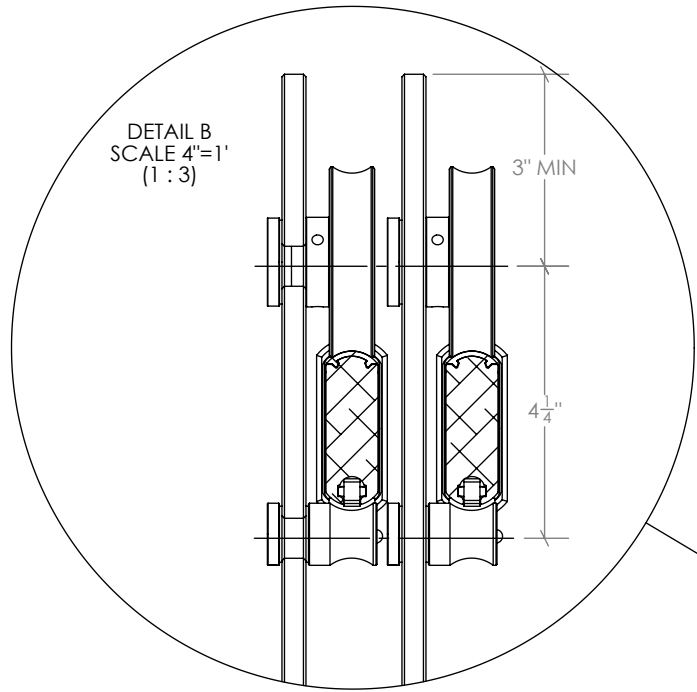
DOOR APPLICATION: BYPASSING  
 PANEL THICKNESS: 3/8" TO 1/2" (CONTACT US FOR PANELS OUTSIDE THIS RANGE)  
 MAXIMUM WEIGHT: TRACK LENGTH DEPENDENT (SEE TABLE BELOW)

DRAWING SCALE: 3/4" = 1'-0" (1:16)  
 UNITS: INCHES  
 DATE: 12/26/2018

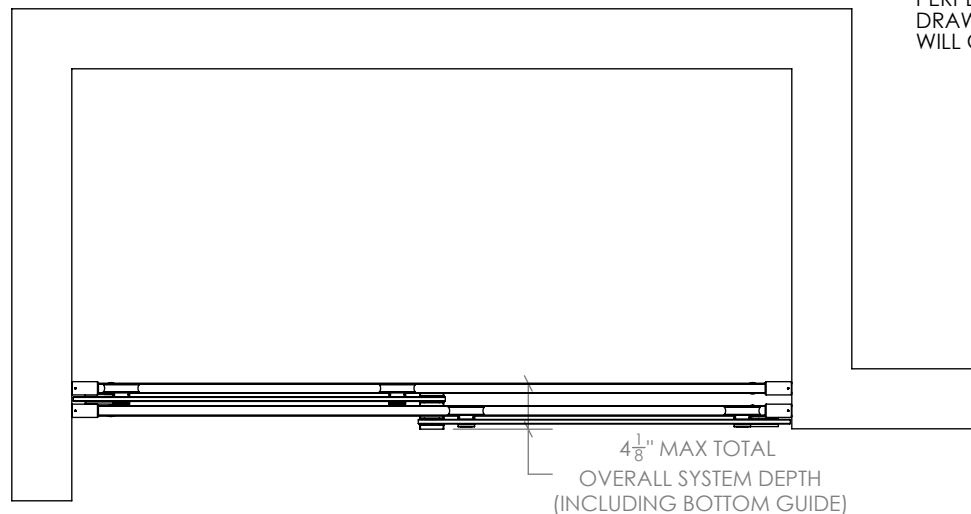
KROWNLAB  
 2351 NW York St.  
 Portland, OR 97210  
 +1 503 292 6998  
 www.krownlab.com  
 support@krownlab.com

**KROWNLAB**  
 PDX - ORE

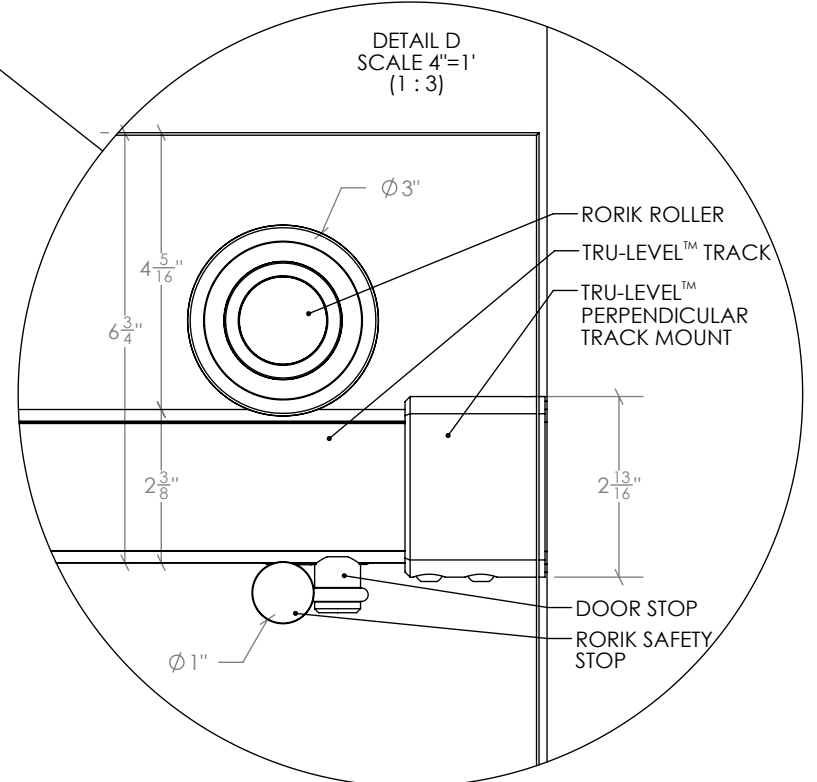
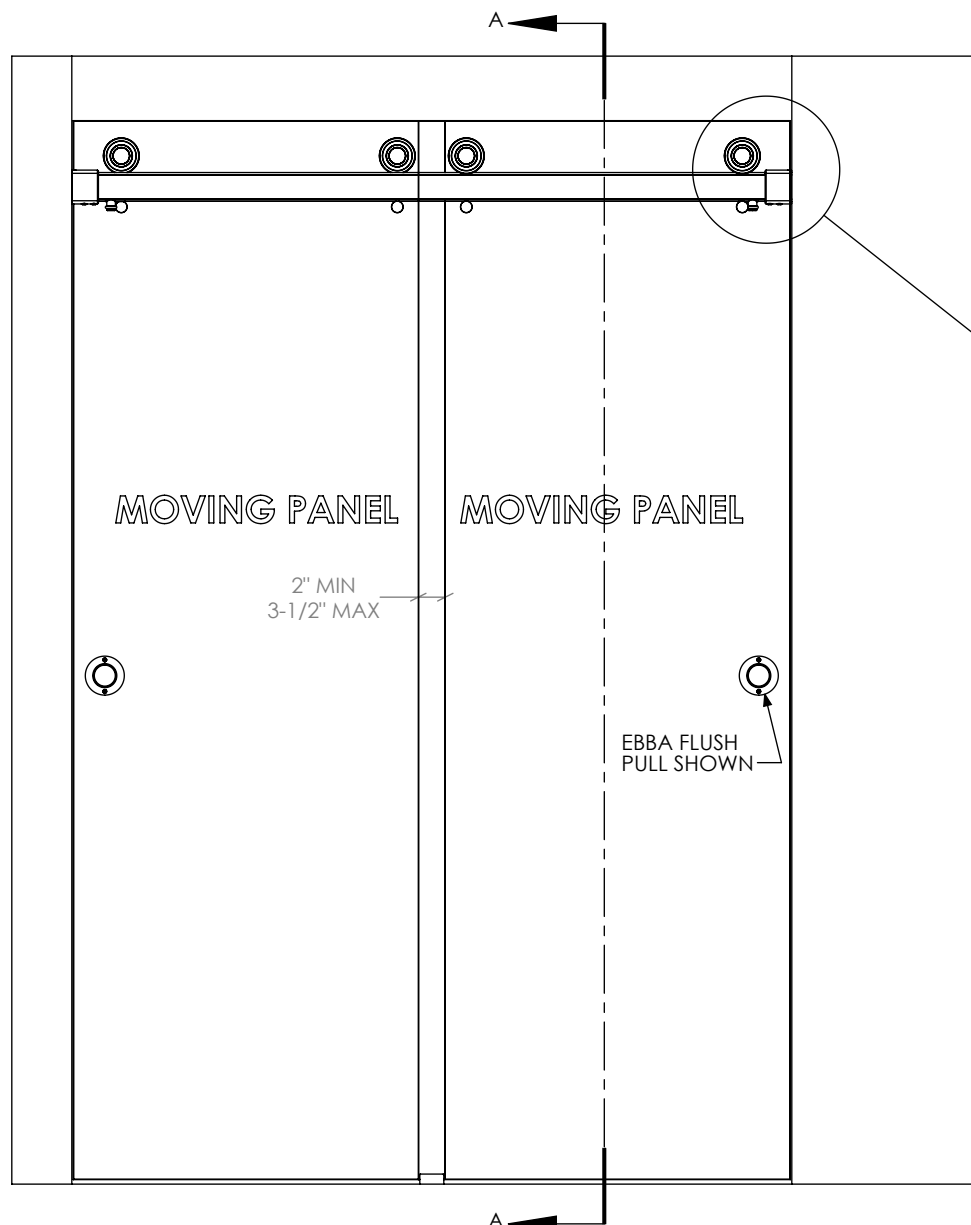
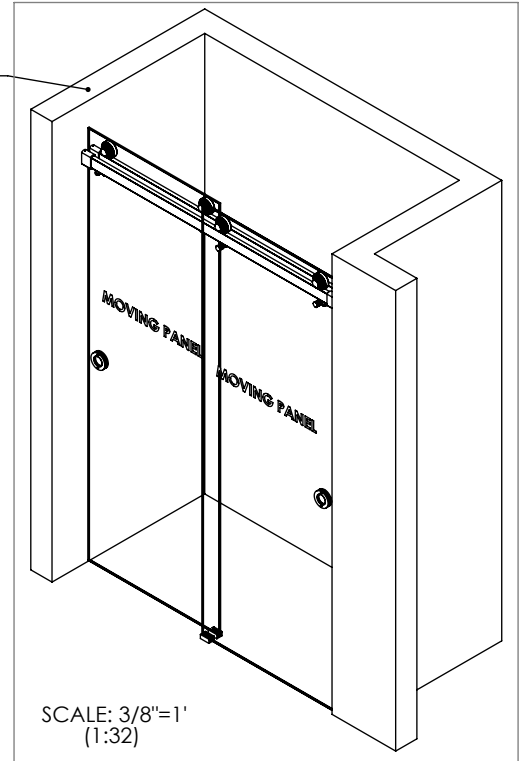
TRACK SPAN	MAX. PANEL WEIGHT
60"	125lb
72"	100lb




\* = DOOR GUIDE MAY DIFFER

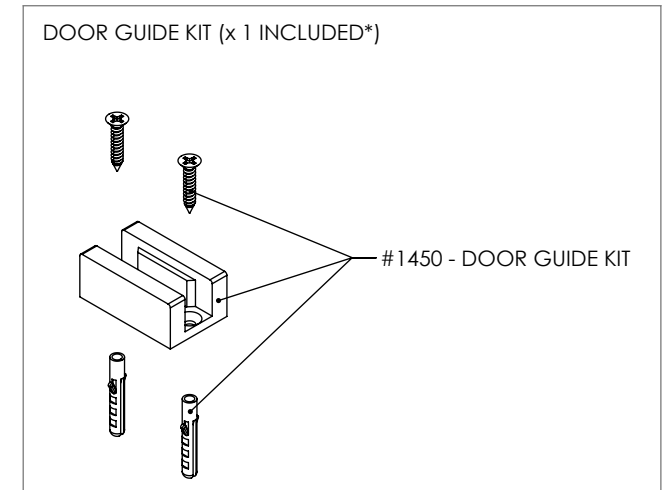
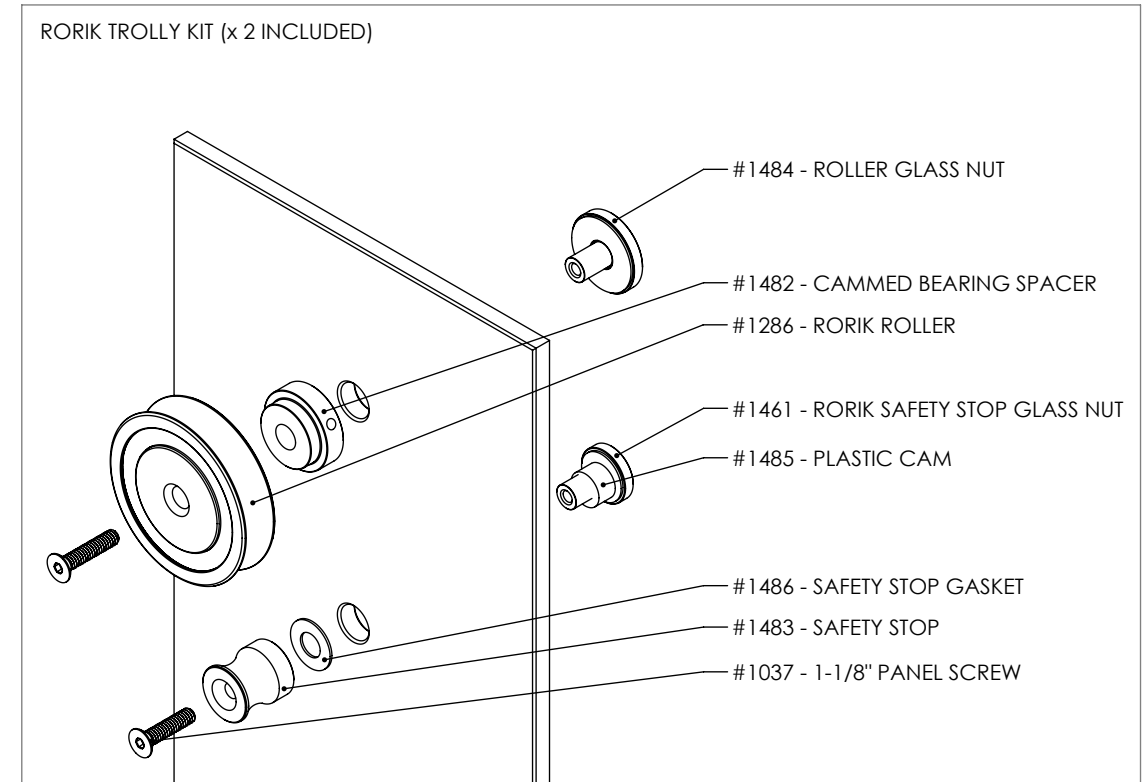
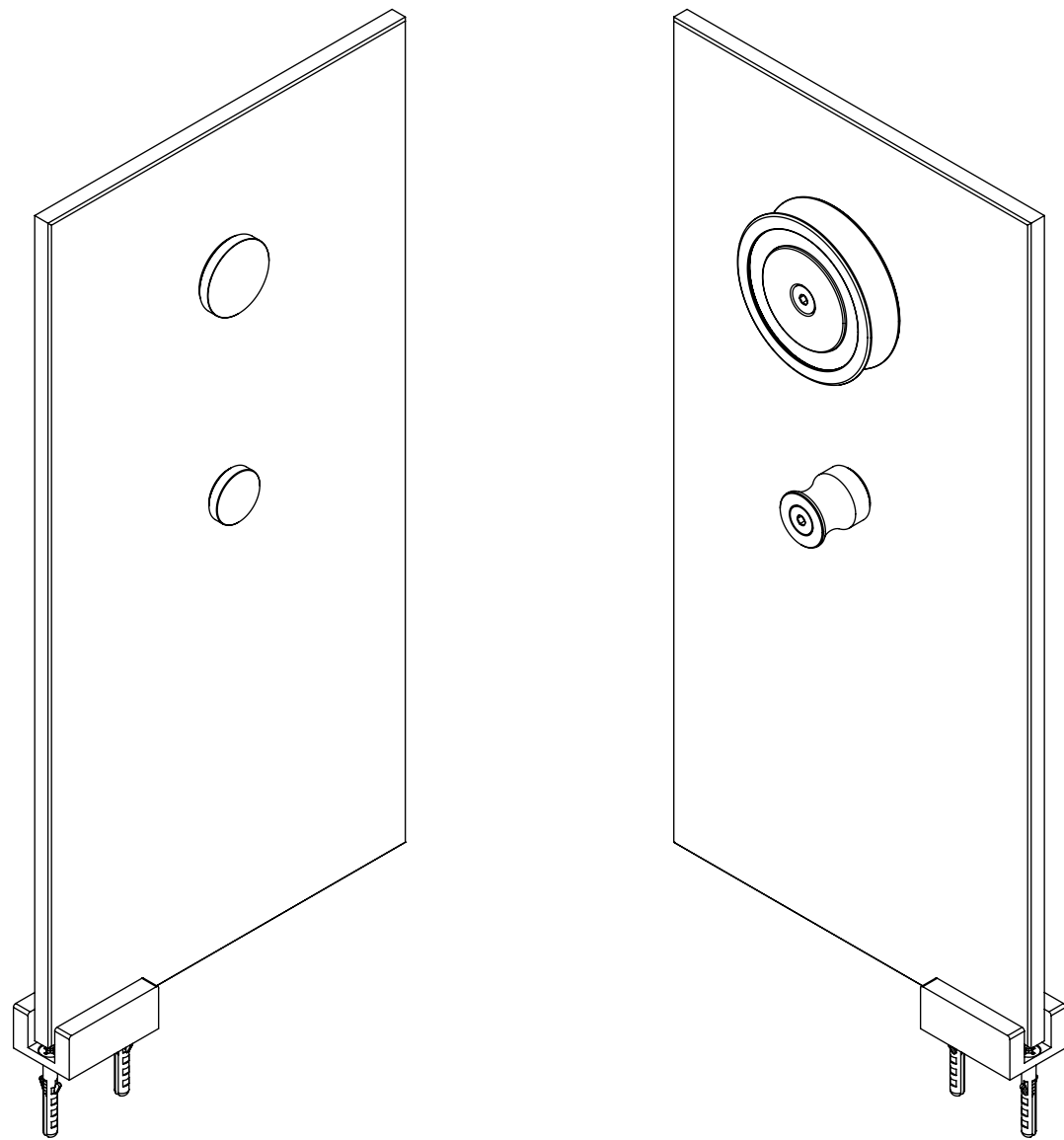


GENERIC WALL SHOWN. THE TRU-LEVEL PERPENDICULAR TRACK MOUNTING DRAWING IN THE FOLLOWING PAGES WILL COVER SUPPORTED WALL TYPES.




DOCUMENT:	PRODUCT SPECIFICATIONS	DOOR APPLICATION:	ALCOVE, CORNER, BYPASSING	DRAWING SCALE:	3/4" = 1'-0" (1:3)	KROWNLAB 2351 NW York St. Portland, OR 97210 +1 503 292 6998 www.krownlab.com support@krownlab.com	 PDX - ORE
SYSTEM:	RORIK	PANEL THICKNESS:	3/8" TO 1/2" (CONTACT US FOR PANELS OUTSIDE THIS RANGE)	UNITS:	INCHES		
MOUNTING STYLE:	GLASS	MAXIMUM WEIGHT:	TRACK CONFIGURATION DEPENENT	DATE:	12/28/2018		

WHAT'S INCLUDED PER DOOR PANEL:  
 2 x - RORIK GLASS MOUNT TROLLEY KIT  
 1 x - DOOR GUIDE KIT (DOOR GUIDE MAY DIFFER - MULTIPLE OPTIONS EXIST)  
 1 x - TRU-LEVEL™ TRACK SYSTEM WITH ALL MOUNTING HARDWARE (SEE SEPARATE PAGE)



\* = THE DOOR GUIDE MAY DIFFER - MULTIPLE OPTIONS EXIST

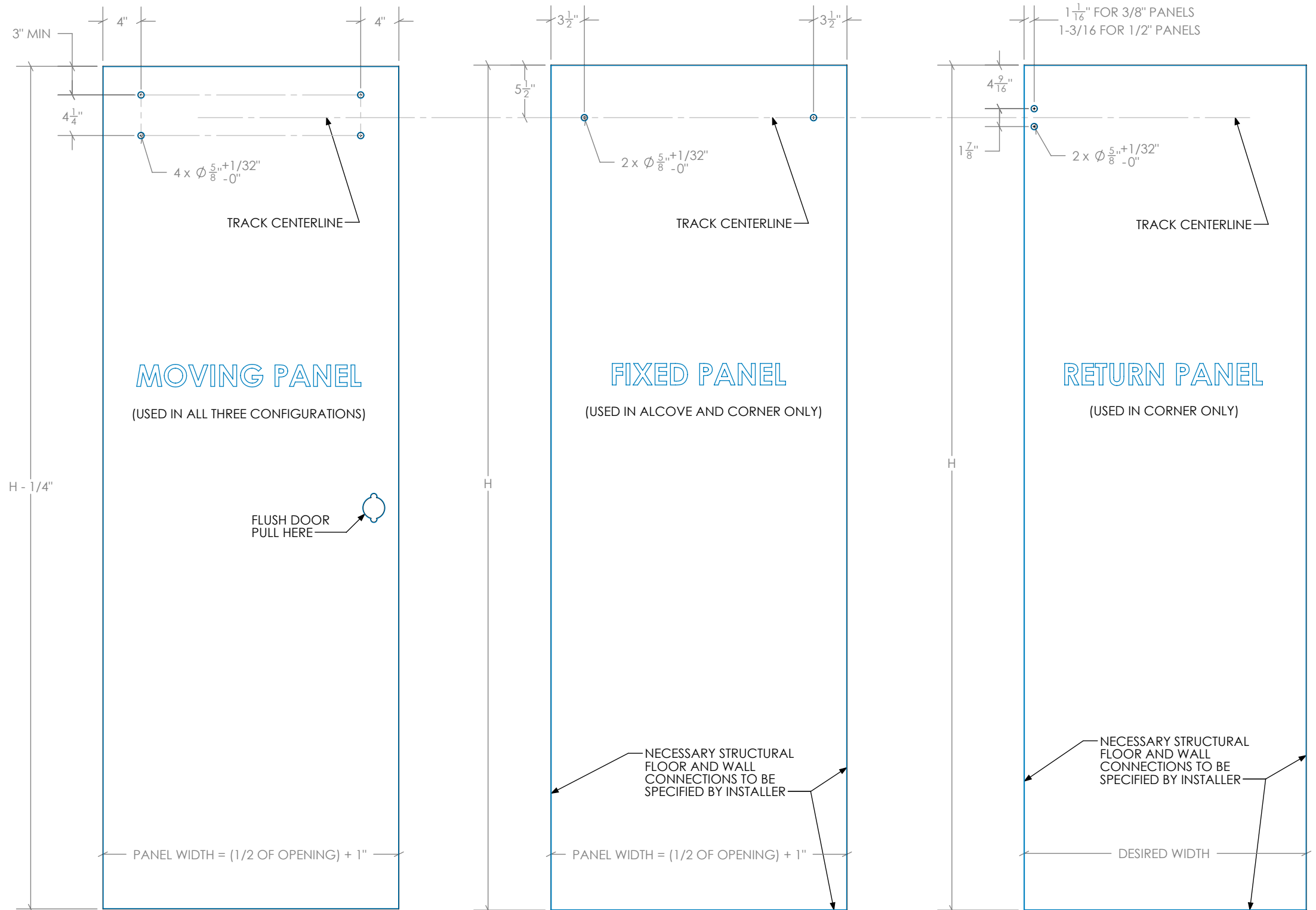
DOCUMENT:	PRODUCT SPECIFICATIONS - GLASS DOOR PANEL SPECIFICATIONS	DOOR APPLICATION:	ALCOVE, CORNER, BYPASSING	DRAWING SCALE:	3/4" = 1'-0" (1:12)	KROWNLAB 2351 NW York St. Portland, OR 97210 +1 503 292 6998 www.krownlab.com support@krownlab.com	
SYSTEM:	RORIK	PANEL THICKNESS:	3/8" TO 1/2" (CONTACT US FOR PANELS OUTSIDE THIS RANGE)	UNITS:	INCHES		
MOUNTING STYLE:	GLASS	MAXIMUM WEIGHT:	TRACK CONFIGURATION DEPENDENT	DATE:	3/12/2019		

GLASS PANELS MUST BE FLAT POLISHED AND HAVE A 1MM CHAMFER ON ALL EDGES.

ALL HOLES MUST BE DRILLED OR CNC MACHINED WITH STRAIGHT WALLS AND SEAMED EDGES. DO NOT WATER-JET - NO TAPERED HOLES.

ALL TEMPERED GLASS IS SUBJECT TO EXPERIENCE SPONTANIOUS BREAKAGE. IT IS THE BUYERS RESPONSIBILITY TO DETERMINE AND APPROVE GLASS SPECIFICATION(S) SUITABLE TO MEET ALL FACTORS RELEVANT TO THEIR PARTICULAR USE OR APPLICATION IN CONJUNCTION WITH ALL KROWN LAB, INC.'S PRODUCTS.

REFERENCE ASTM C1048, 7.9.5



WIDTH PROPORTIONS BASED ON FLUSH DOOR PULLS. PROTRUDING DOOR PULLS ARE NOT COMPATIBLE WITH BYPASSING AND REQUIRE SPECIAL CONSIDERATION.

THE PANEL WIDTH FORMULA CREATES A 2" OVERLAP, NOT ACCOUNTING FOR NECESSARY WALL AND PANEL CLEARANCES.