

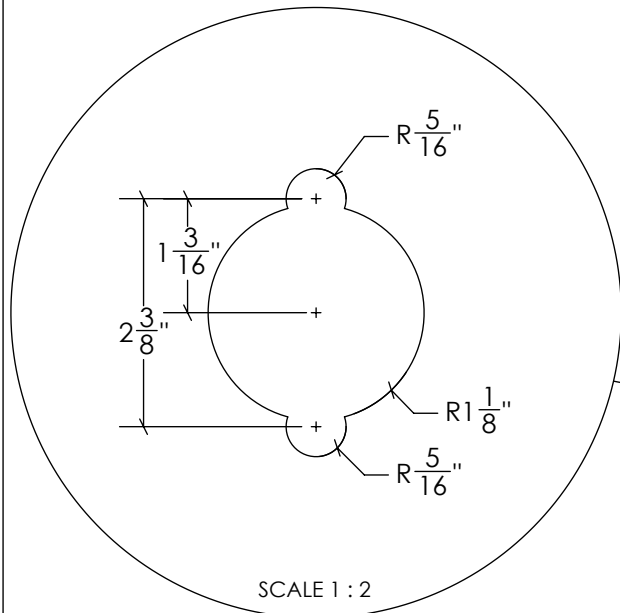
**Product Features & Technical Specifications**

- Industry leading 10 year warranty
- ADA compliant pull force at full system loading
- Configurable for 36" clear openings for roll in entry
- Supports moving panels weighing up to 150 lbs
- Maximum 40" unsupported track spans possible
- Tru-Leveling System™ for faster, perfect installations
  - Built-in 1/4" total adjustment in all directions at each track mounting point
- Vertical panel adjustment
  - Adjust panel up to 1/8" even after installation
- Fully adjustable door stops for fast and easy control of door travel
- Available in Brushed Stainless and Black Stainless finishes
- Compatible with framed tiled walls
- Track ships standard at 78" length - contact Krownlab to inquire about longer lengths
- Easily cut and drill track in the field with commonly available tools
- For door panels 1/4" to 1/2" in thickness\*
- Comprehensive line of system add-ons at [www.krownlab.com](http://www.krownlab.com)
- Configurable to have the moving panel close against the wall or return panel
- Full CAD available at [www.krownlab.com/downloads](http://www.krownlab.com/downloads)

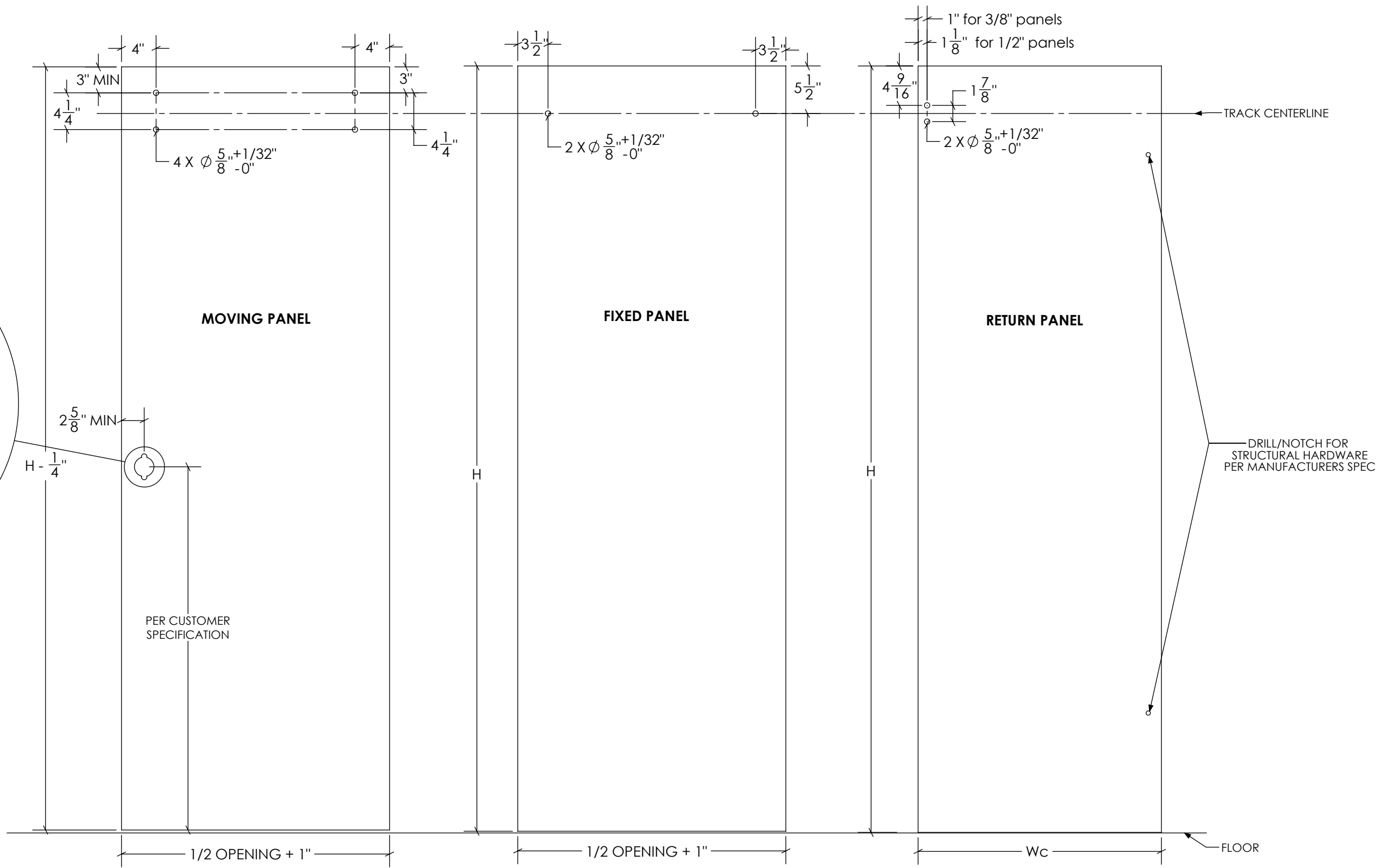
\*Panels thinner than 3/8" require some hardware modification

**FLUSH PULL INSTALLATIONS**

**FINISH NOTES:**  
 Flat polish and bevel all edges (1mm)  
 All holes must be drilled or CNC machined with seamed edges. Do not water jet - no tapered holes  
 Reference ASTM C1048, 7.9.6.3 and ASTM C1048, 7.9.5



EBBA FLUSH PULL CUTOUT PREPARATION  
 ALL DIMENSIONS IN THIS VIEW ±1/32"

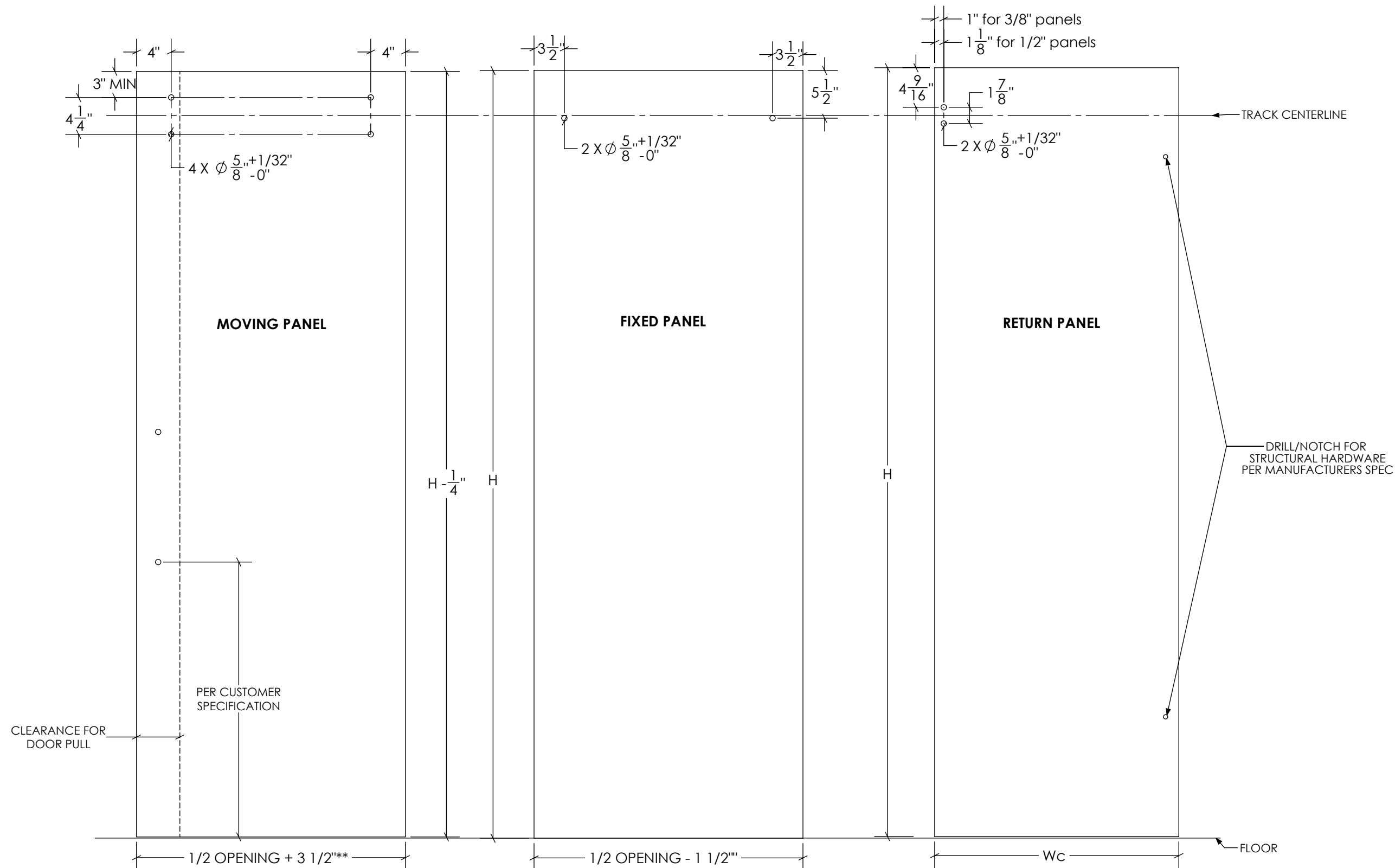


ALL TEMPERED GLASS IS SUBJECT TO EXPERIENCE SPONTANEOUS BREAKAGE. IT IS THE BUYER'S RESPONSIBILITY TO DETERMINE AND APPROVE GLASS SPECIFICATION(S) SUITABLE TO MEET ALL FACTORS RELEVANT TO THEIR PARTICULAR USE OR APPLICATION IN CONJUNCTION WITH ALL KROWN LAB, INC.'S PRODUCTS.

- Fixed panels can be 3/8" - 1/2"
  - Moving panels can be \*1/4" to 1/2"
  - Max moving panel weight is 150lb
  - Head clearance is equal to H - 6-3/4"
- \* Panels thinner than 3/8" require some hardware modification  
 \*\*Results in 2" door overlap not accounting for necessary wall and floor clearance

**PROTRUDING PULL INSTALLATIONS**

**FINISH NOTES:**  
 Flat polish and bevel all edges (1mm)  
 All holes must be drilled or CNC machined with seamed edges. Do not water jet - no tapered holes  
 Reference ASTM C1048, 7.9.6.3 and ASTM C1048, 7.9.5



ALL TEMPERED GLASS IS SUBJECT TO EXPERIENCE SPONTANEOUS BREAKAGE. IT IS THE BUYER'S RESPONSIBILITY TO DETERMINE AND APPROVE GLASS SPECIFICATION(S) SUITABLE TO MEET ALL FACTORS RELEVANT TO THEIR PARTICULAR USE OR APPLICATION IN CONJUNCTION WITH ALL KROWN LAB, INC.'S PRODUCTS.

- Fixed panels can be 3/8" - 1/2"
- Moving panels can be 1/4" to 1/2"
- Max moving panel weight is 150lb
- Head clearance is equal to H - 6-3/4"

\* Panels thinner than 3/8" require some hardware modification  
 \*\*Results in 2' door overlap not accounting for necessary wall and floor clearance