

DOOR GUIDE

STANDARD GLASS DOOR GUIDE

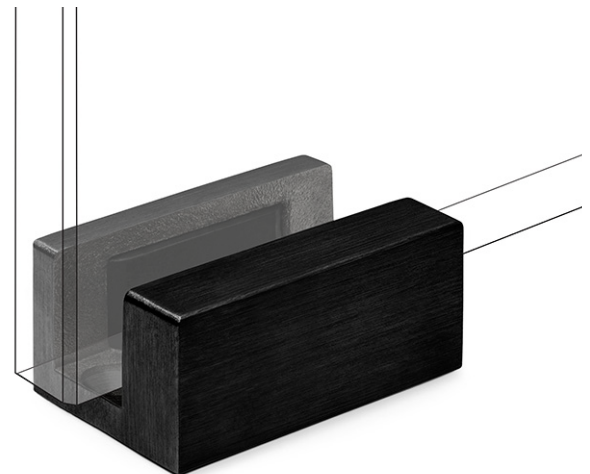
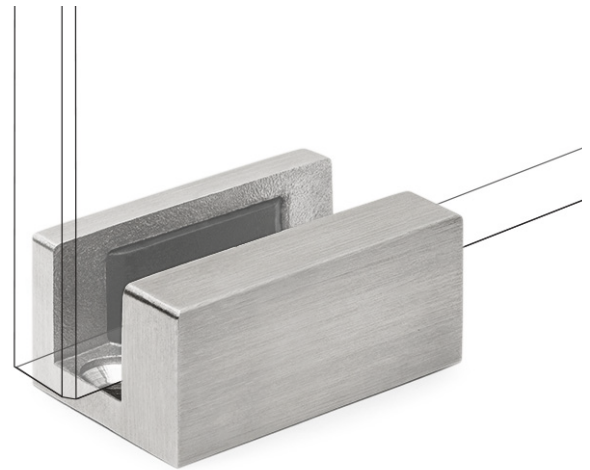
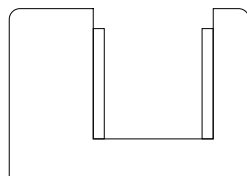
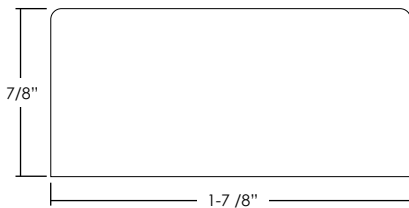
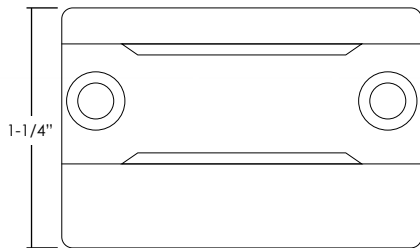
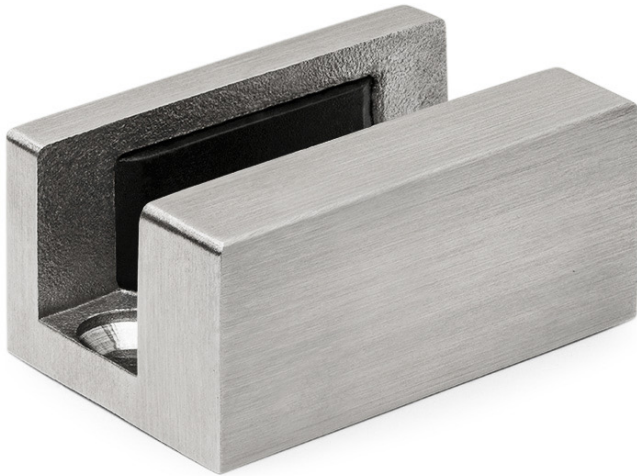
Solid glass door guide specifically designed for sliding glass doors. Manufactured from solid stainless steel with a fine linear grained finish.

FEATURES

- Solid stainless steel construction.
- Durable plastic inserts ensures smooth and quiet operation.
- Comes in multiple finishes to match your system hardware.
- Mounts to most surfaces.
- 10 year commercial warranty.

SPECIFICATIONS

- Available for 3/8" and 1/2" glass thickness.
- Fasteners included.

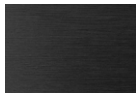


QUICK LOOK

FINISH OPTIONS



Brushed Stainless



Black Stainless

DOOR PANEL COMPATIBILITY

Available for 3/8" and 1/2" glass thickness.

MORE INFORMATION

For more information: www.krownlab.com/accessories

ORDERING AND PRICING

For inquiries or to place orders, please contact: support@krownlab.com, or call +1 503 292 6998
Trade discounts and volume pricing available.