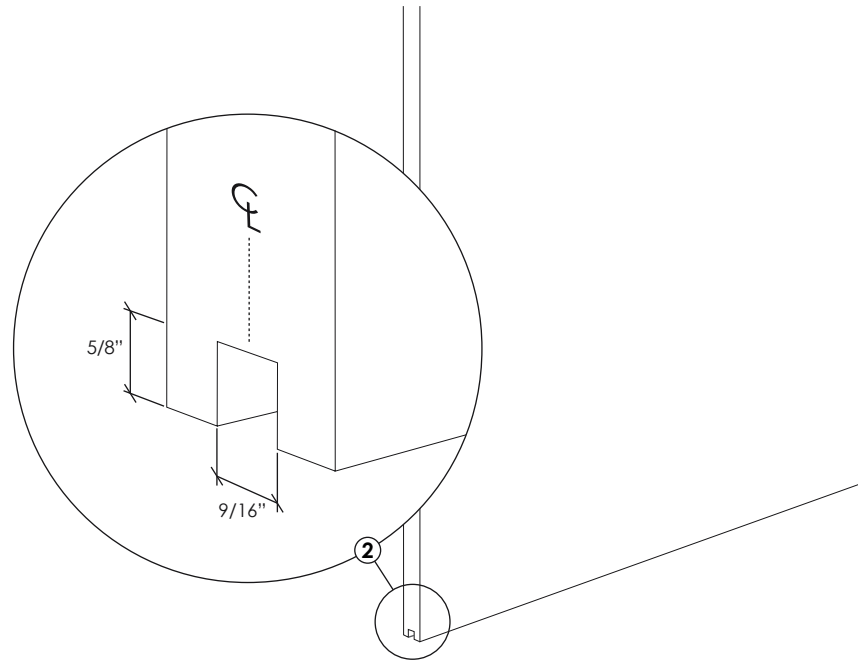
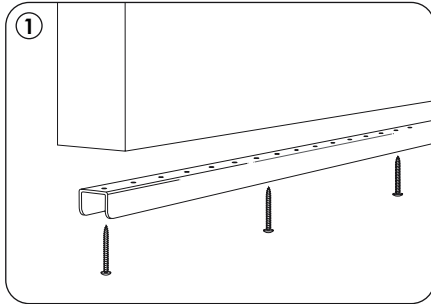


A. PREPARE DOOR FOR DOOR GUIDE POST

- ① **If you have purchased an optional Door Guide Channel,** attach it using the screws supplied. If necessary, cut the length of the channel to match the width of the door panel.
- ② **If you have NOT purchased an optional Door Guide Channel,** route the bottom of your door panel along its entire length, as shown.
- ⚠ **If you have purchased the 2-Part Wood Door Guide,** skip these steps and refer to separately provided installation instructions.



B. RETURN TO MAIN INSTRUCTION INSTRUCTIONS

Do not install door guide yet. Proceed to next step until directed to refer to this page again.

C. INSTALL DOOR GUIDE POST

- ① With the door in the desired closed position, mark the leading edge of your door panel.
 - ② With the door in the desired open position, mark the trailing edge of your door panel.
 - ③ Temporarily move the door panel beyond the fully open position, revealing the overlap area.
 - ④ Install the Door Guide Post in the overlap area (3).
- ⚠ Position it at the appropriate distance from the wall so that the door panel hangs plumb.

⚠ Installation of a Door Guide is mandatory. Door panel has to be engaged by the Door Guide along its entire travel. Not following the above instructions can cause a hazardous condition.

