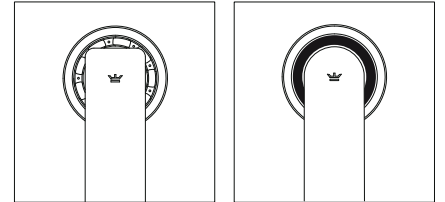


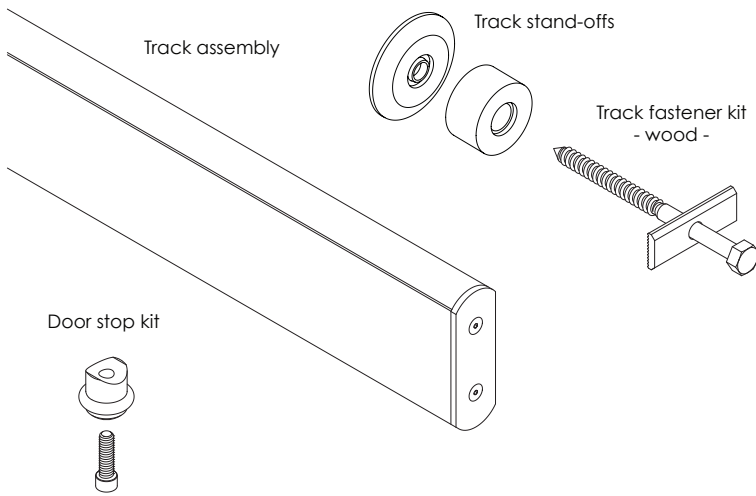
RAGNAR+ODEN

GLASS MOUNT, SINGLE

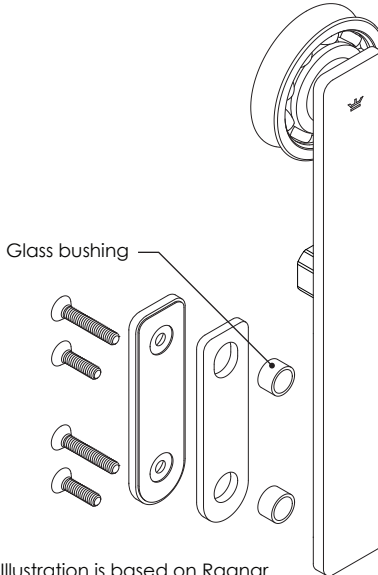


I. VERIFY ALL COMPONENTS

BASE KIT

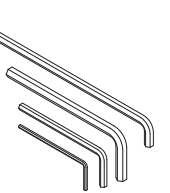


Trolley kit *

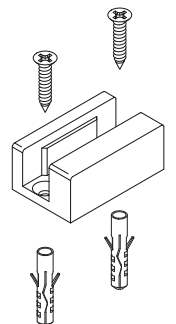


* Illustration is based on Ragnar

Allen keys

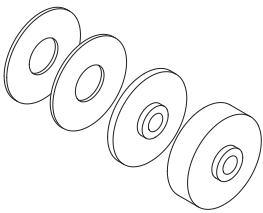


Glass bottom guide kit

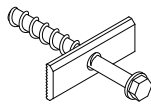


SYSTEM OPTIONS AND ADDITIONS

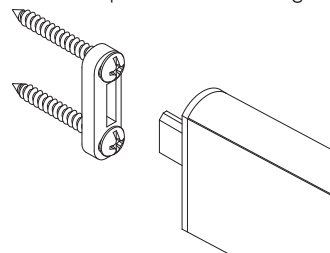
Drywall insert kit



Track fastener kit
- concrete -



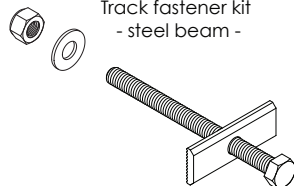
Perpendicular wall fitting kit



Track shim kit

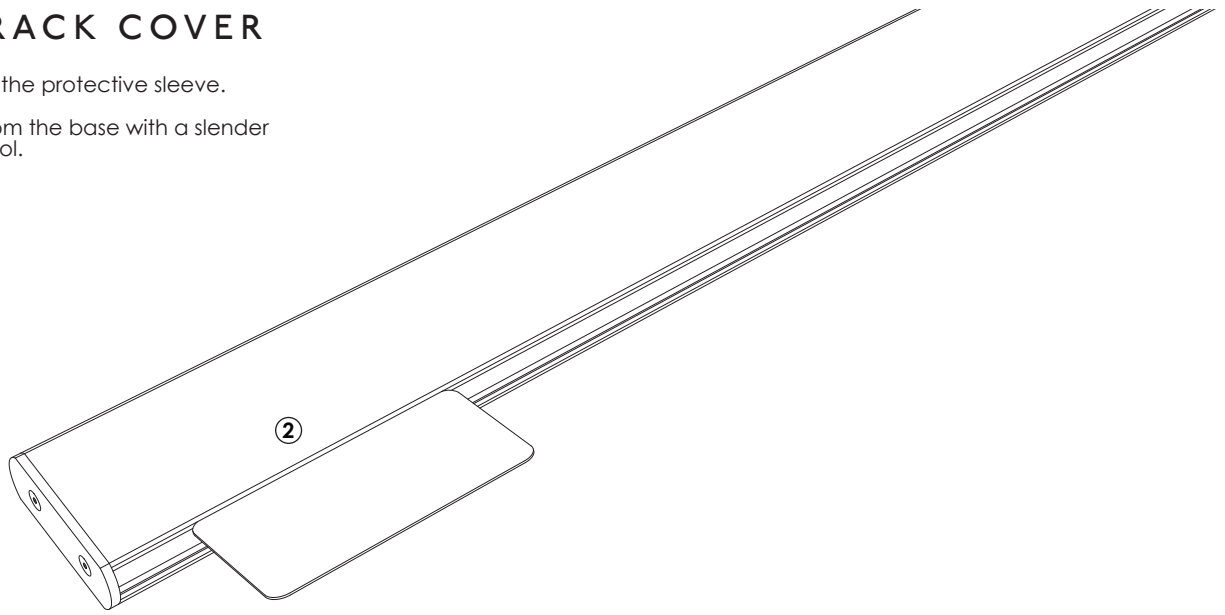


Track fastener kit
- steel beam -



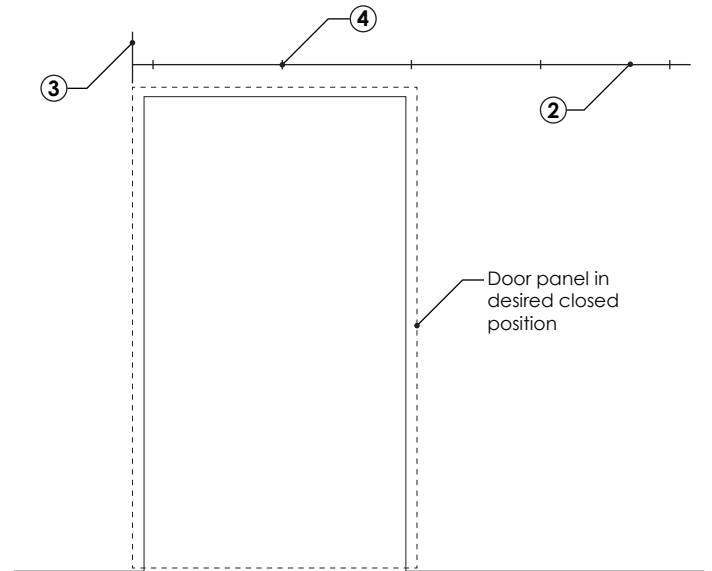
2. REMOVE TRACK COVER

- ① Remove the track from the protective sleeve.
- ② Gently pry the cover from the base with a slender plastic (non-marring) tool.



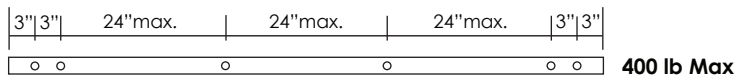
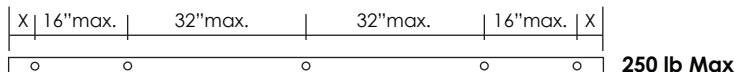
3. LOCATE TRACK ATTACHMENT POINTS

- ① Determine the height of the track centerline:
 $HEIGHT = DOOR\ PANEL\ HEIGHT + 2-7/8"$
 This will result in a 3/8" clearance between your door panel and the floor. Adjust if desired or necessary.
- ② Mark the track centerline on your wall. (If you run a length of painter's tape along your wall, you'll thank us later!)
- ③ On the wall, mark the desired location of the end point of your track, ideally so that it aligns with the edge of your door panel in the desired closed position.
- ④ Determine and mark the locations of all mounting points along the track centerline. If your track was pre-drilled, simply transfer the hole pattern from the track to the wall. If you purchased an un-drilled track, see step 4.



4. OPTIONAL STEP - UNDRILLED TRACK

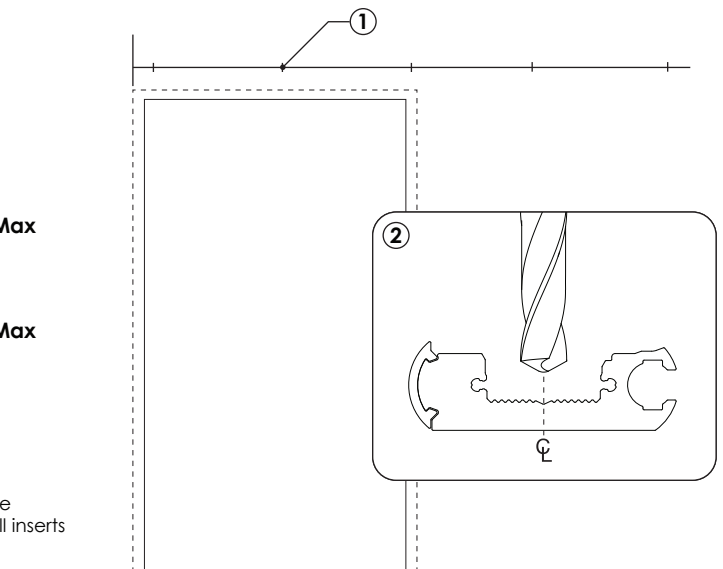
- ① If you ordered an un-drilled track, first determine and mark your desired mounting point locations on the wall.
- ② Then mark and drill corresponding 9/16" holes in your track as shown.



Panel weight	X*	Mounting points
up to 100lbs	6"	3 minimum
101 - 200 lbs	5"	3 minimum
201 - 300 lbs	3"	4 minimum
301 - 400 lbs	1.5"	5 minimum

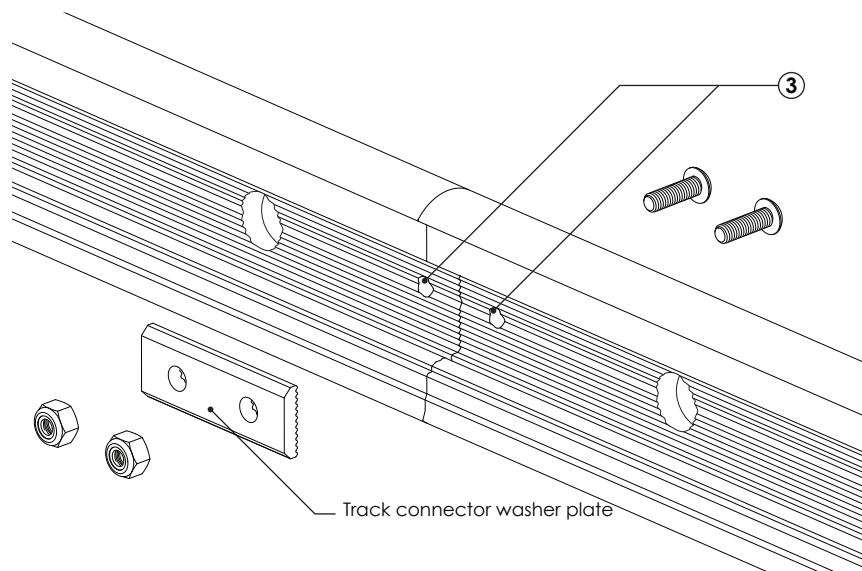
Require drywall inserts

* Maximum length of track allowed beyond end mounting points



5. OPTIONAL STEP - LINK MULTIPLE TRACKS

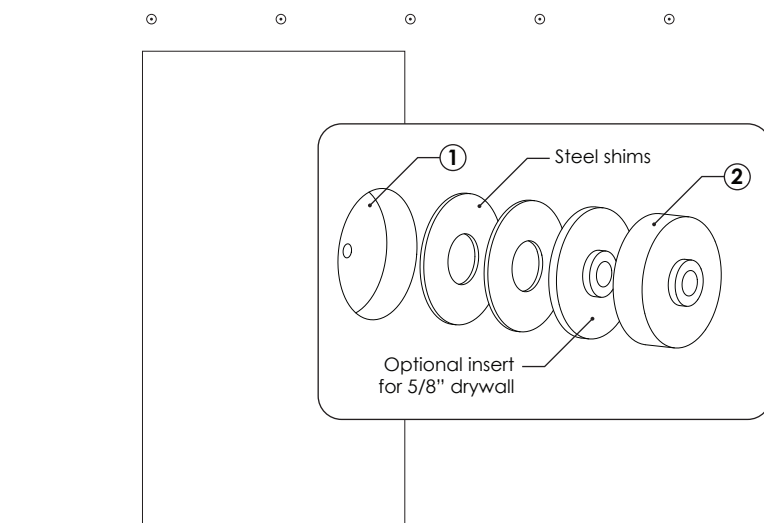
- ① Using the provided allen keys, remove the end cap from the correct end of each track.
- ② Butt tracks end to end as they will be installed on your wall. Using the track connector washer plate centered over the seam between the tracks as a template, mark each track for drilling.
- ③ Drill a 13/64" hole in each track.
- ④ Connect tracks by assembling the track connector washer plate as shown. Ensure that washer teeth align with teeth in the track before tightening fasteners. Torque fasteners to 48 inch-lbs (4 ft-lbs).



6. OPTIONAL STEP - INSTALL DRYWALL INSERTS

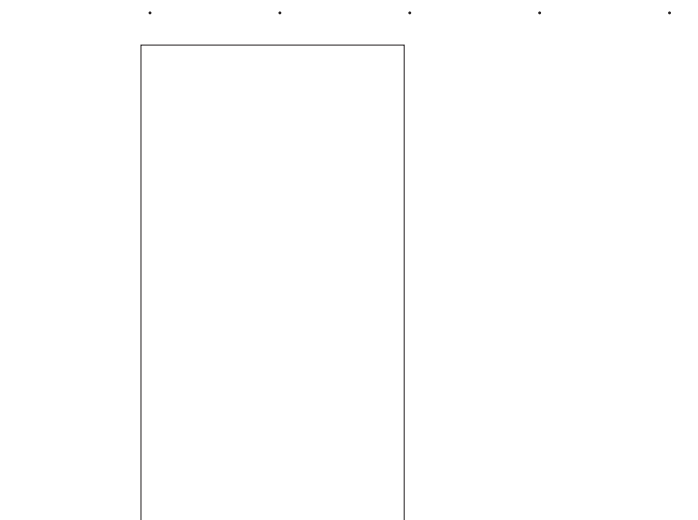
Required for high use installations and doors in excess of 200 lbs.

- ① Use a 1-3/4" spade bit to remove the drywall at each mounting point.
 - ② Place a drywall insert into each drywall cavity.
- ❗ To perform their function, drywall inserts must be up against the structural material of your wall and flush with the finished surface of the drywall. If needed, use the included steel shims as shown.



7. PREPARE WALL

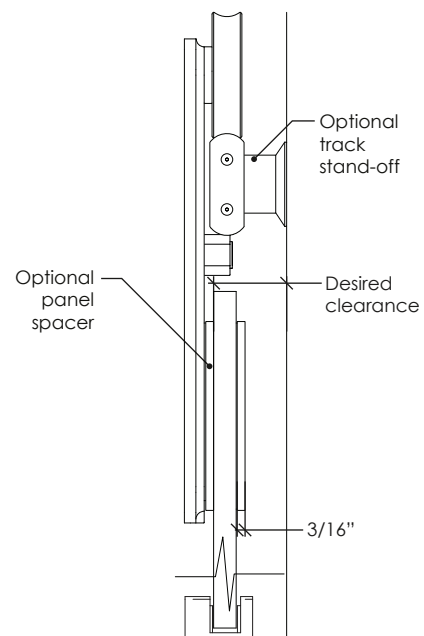
- ① Drill a pilot hole for each mounting point.
- ❗ Make sure that each mounting point engages an appropriate amount of structural material:
- A. Wood or metal stud framed walls must have 3" of solid wood blocking secured to studs or other framing members.
 - B. Concrete and masonry walls must be solid and thicker than the minimum required thread engagement of 1-1/2".
 - C. Steel beams must be structural in nature and have a minimum wall thickness of 1/4". Note that you cannot attach this hardware to sheet metal studs.



8. DETERMINE DESIRED WALL CLEARANCE

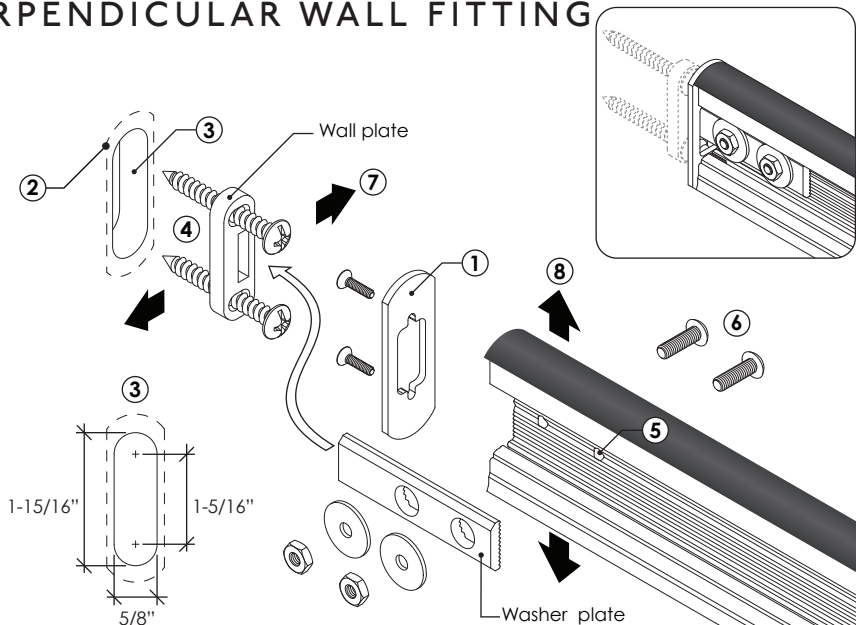
- Determine if you need to use the optional panel spacer based on panel thickness and base board.

Desired clearance	Required 1/4" track stand-off	Optional 3/4" track stand-off	Optional panel spacer
1"	√		√
1-1/4"	√		
1-3/4"	√	√	√
2"	√	√	



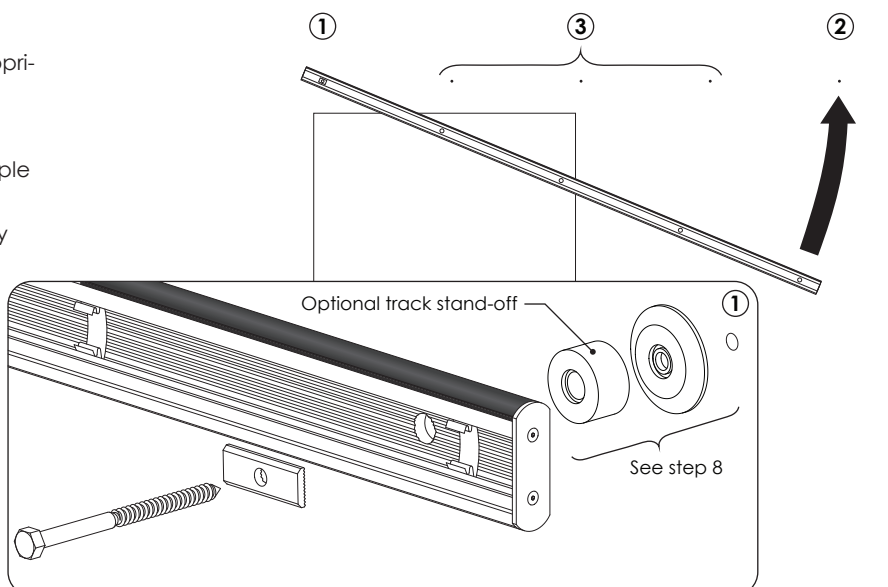
9. OPTIONAL STEP - INSTALL PERPENDICULAR WALL FITTING

- Remove the pre-installed end cap and replace it with the perpendicular wall fitting end cap.
- Temporarily stage the track in the desired position on the wall. Mark the track outline on the wall.
- Carefully remove the drywall inside the outlined area. See dimensions at right.
- Install the wall plate in the drywall cavity. Ensure that the plate is up against the structural material of the wall.
- Fully insert the washer plate into the rectangular hole of the wall plate. Butt the track up to the wall and mark the holes from the washer plate on the track. Drill two 13/64" holes in the track.
- Attach the washer plate to the track as shown. Ensure that washer teeth align with teeth in the track before tightening fasteners. Torque fasteners to 48 inch-lbs (4 ft-lbs).
- Oval holes in wall plate allow for track position to be horizontally adjusted if necessary.
- Teeth on washer plate and track allow for track position to be vertically adjusted if necessary.



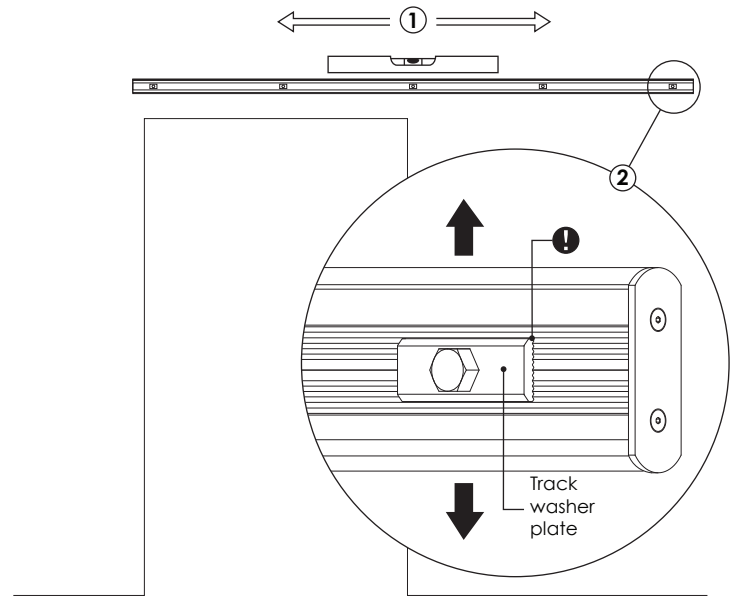
10. MOUNT TRACK TO WALL

- Ensuring that the black plastic track cap faces up, loosely install one end of your track with the appropriate track spacers and hardware.
- Repeat with the opposite end of the track.
- Support the track assembly along its length if multiple tracks are linked together.
- With both ends of the track now supported, loosely install the remaining mounting points.



11. ADJUST TRACK HEIGHT

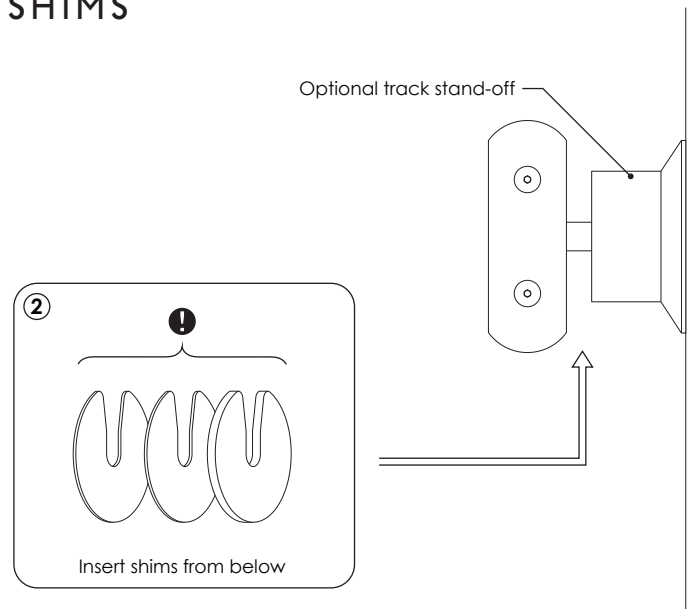
- ① Tighten each track fastener starting at the center and moving toward the ends. For maximum adjustability, start by positioning the washer plate in the center (neutral) position.
- ⚠ Be sure to account for sloped or uneven floor when setting track height.
- ② Use the Tru-Level™ System to make sure track is level: adjust the position of the washer plate at each mounting point until track is level.
- ⚠ Ensure that washer teeth align with teeth in the track before tightening fasteners.



12. OPTIONAL STEP - INSTALL TRACK SHIMS

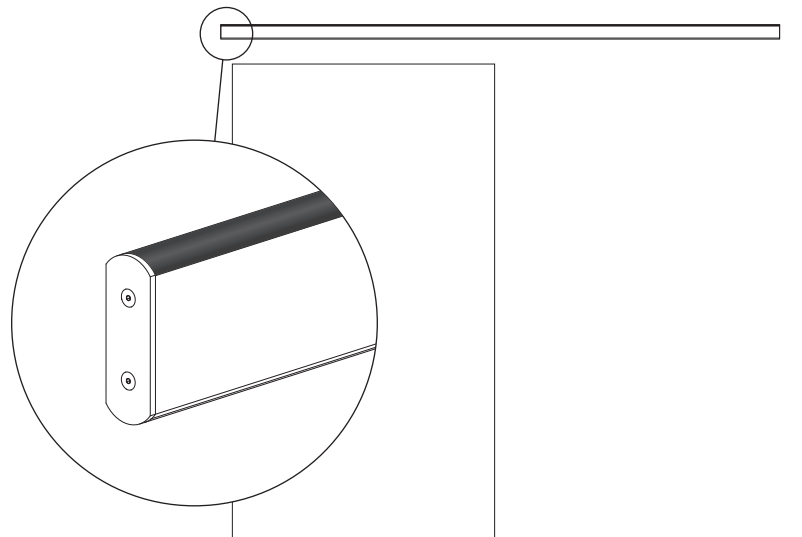
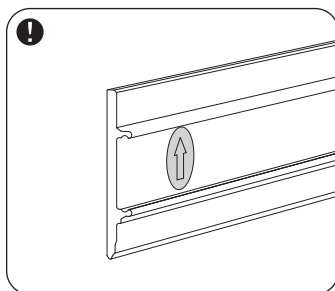
- ① Sight down the length of your track to determine if unevenness in the wall is causing your track to bow. If necessary:
- ② Loosen track attachment points as needed and insert shims from below. Ensure that the opening of the shim faces up. Start with one of the thinner shims, adding and swapping shims as needed until the track is straight to within the thickness of one shim.
- ⚠ If optional track stand-offs are installed, do not use more than one shim kit per mounting point.

NOTE: Bowing in the track will negatively affect the performance of the entire system, causing increased friction and excessive wear on some components. Krownlab's warranty does not cover wear caused by improper installation.



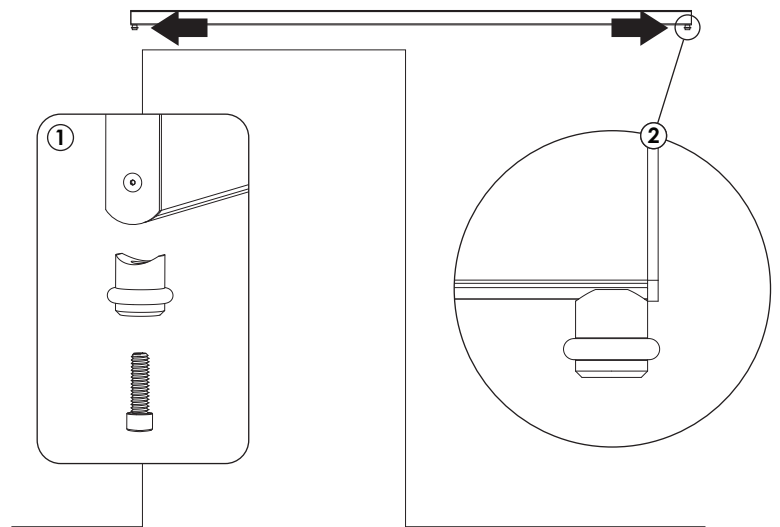
13. ATTACH TRACK COVER

- ① After the track has been leveled, shimmed, and all mounting points have been securely fastened to 120 inch-lbs (10 ft-lbs) with appropriate torque wrench, reattach the track cover.
- ⚠ Ensure that the arrow on the inside of the track cover is facing up.



14. ATTACH DOOR STOPS

- ① Locate the preinstalled nuts in the bottom of the track. Loosely screw a door stop to each nut.
- ② Temporarily slide one door stop to each end of the track. Do not tighten the stops until step 21.

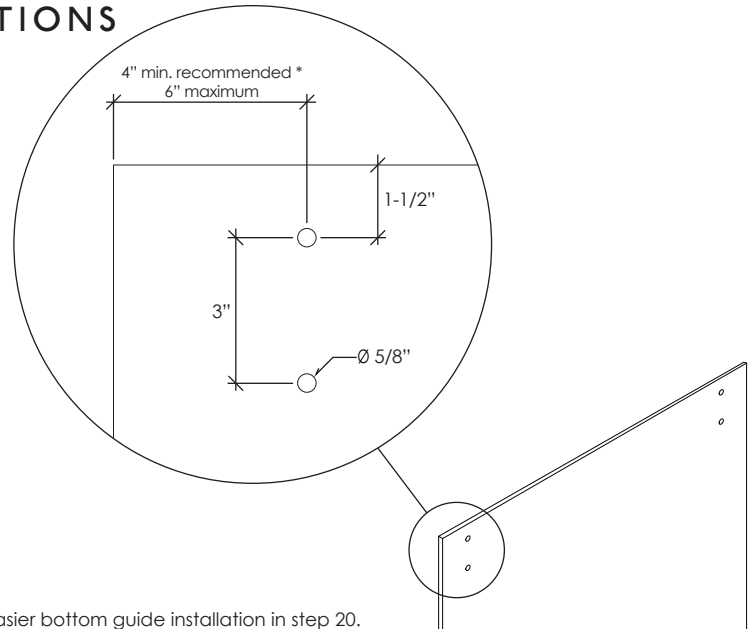


15. VERIFY DOOR PANEL SPECIFICATIONS

- ① Ensure the glass door panel has the correct hole placement, hole sizing, and is prepared per Krownlab's Glass Panel Specs document (located at www.krownlab.com/downloads)
- ② Inspect glass for any defects, e.g. chips, deformations, or irregularly shaped holes.



Do not use glass with any defects!!!! Any defect is a safety hazard and must be replaced.



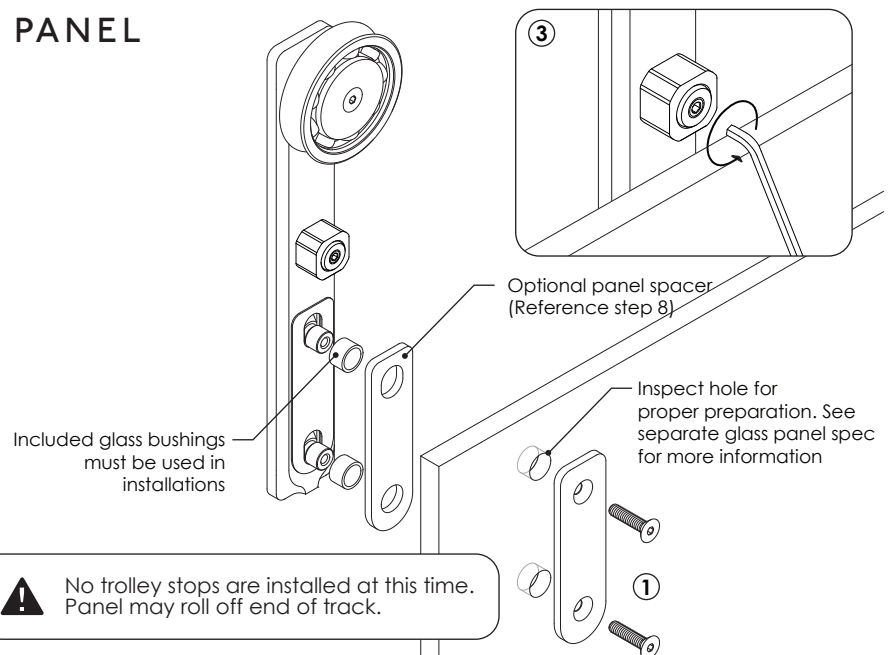
* Facilitates easier bottom guide installation in step 20.

16. ATTACH TROLLEYS TO DOOR PANEL

- ① Attach the trolleys using the correct length fastener as shown in the table below.
- ② Gently tighten, then back out each screw a half turn. This will allow you to adjust the panel height after installation.
- ③ Remove the trolley stops with provided 9" wrench. Note how tight the screws are. You will need to tighten the screws to this same tension when the trolley stops are reinstalled.
- ④ Carefully hang your panel.
- ⚠ Do not yet install your door pulls or other door hardware.

Optional panel spacer	Correct screw lengths			
	3/8" panel	1/2" panel	5/8" panel	3/4" panel
	3/4"	3/4"	1"	1"
√	1"	1"	1-1/4" *	1-1/4" *

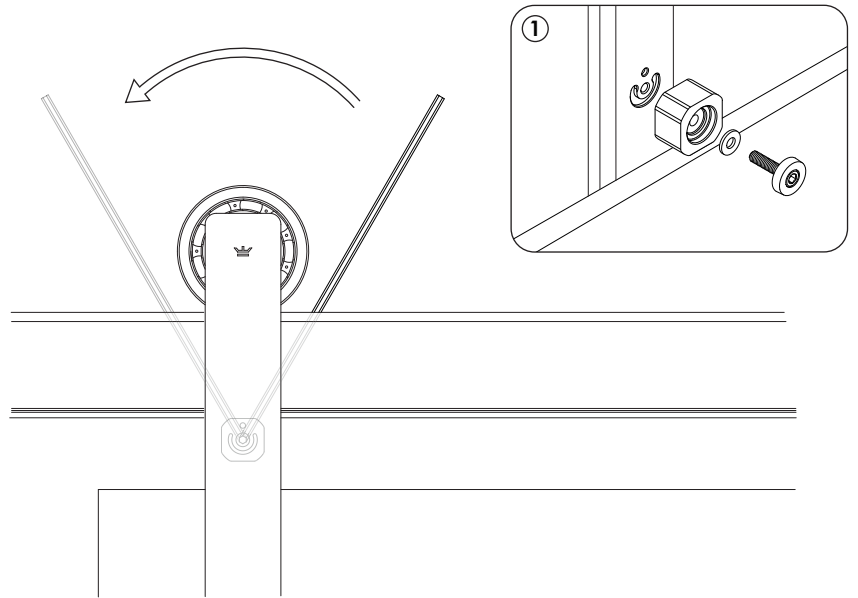
*Bagged with bottom guide



17. REINSTALL TROLLEY STOPS

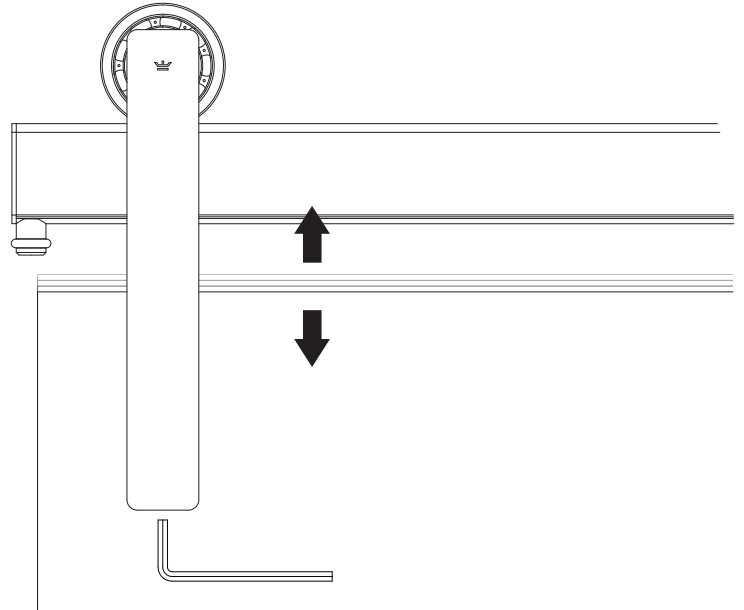
- 1 Place the trolley stop assembly on the back of the trolley.
 - 2 Align interlocking features and fully seat the trolley stop. Note that a properly seated trolley stop will have interlocking features fully engaged and you will not be able to twist it.
 - 3 Thread and tighten the trolley stop screw using your fingers until finger-tight.
 - 4 Slide the provided 9" wrench behind the track and firmly tighten the screw to 48 inch-lbs (4 ft-lbs). Please note this is the same tightness the screw had when it arrived.
 - 5 Repeat above steps for second trolley
- ❗ In some instances, screw may also be accessed from inside the door opening. This may aid installation.

Note: Please keep the 9" wrench to make it easier to uninstall your sliding door.



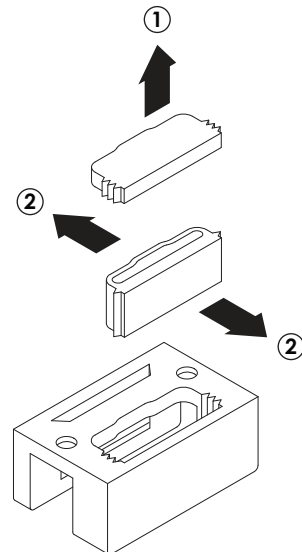
18. ADJUST PANEL HEIGHT

- 1 Visually check for any interference due to an uneven, sloped or irregular floor.
 - 2 If necessary, adjust the height of the panel by tightening the screws at the bottom of each trolley.
 - 3 After the panel height has been adjusted, tighten the trolley screws to 108 inch-lbs (9 ft-lbs) with appropriate torque wrench on the back side of the panel.
- ❗ If additional vertical adjustment is required, unhang the door panel, remove the track cover, and adjust the track up or down as needed.



19. ADJUST GLASS BOTTOM GUIDE

- 1 Remove adjustment cover from the underside of bottom guide.
 - 2 Position adjustment plate to fit your door panel thickness and reattach the adjustment cover.
- ❗ If your door panel is 5/8" or 3/4" thick, you will have received a bottom guide for your specific thickness.

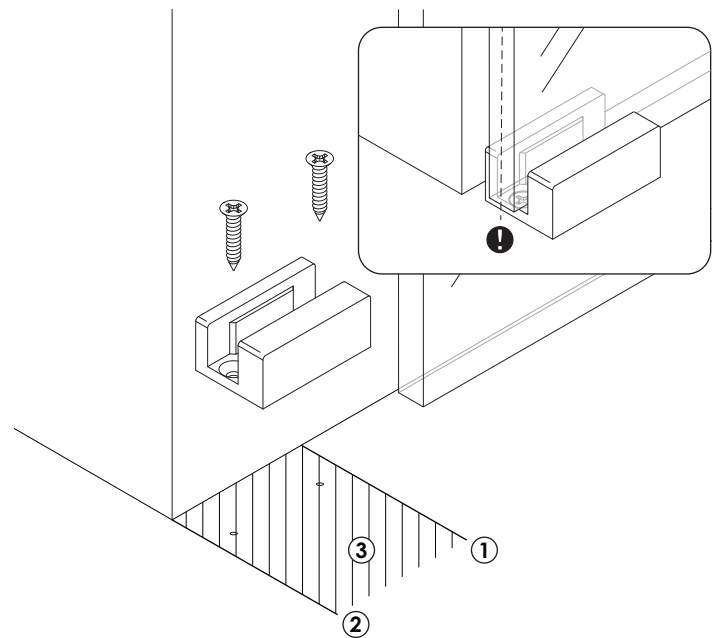


20. INSTALL GLASS BOTTOM GUIDE

- 1 With the door in the desired closed position, mark the leading edge of your door panel.
 - 2 With the door in the desired open position, mark the trailing edge of your door panel.
 - 3 Temporarily move the door panel beyond the fully open position, revealing the overlap area.
 - 4 Install the glass bottom guide in the overlap area with the adjustment plate facing away from the wall. Position it at the appropriate distance from the wall so that the door panel hangs plumb.
 - 5 You can now install your door pulls and other door hardware.
- ❗ Installation of bottom guide is mandatory. Door panel has to be engaged by bottom guide along its entire travel. Door has to be installed plumb.

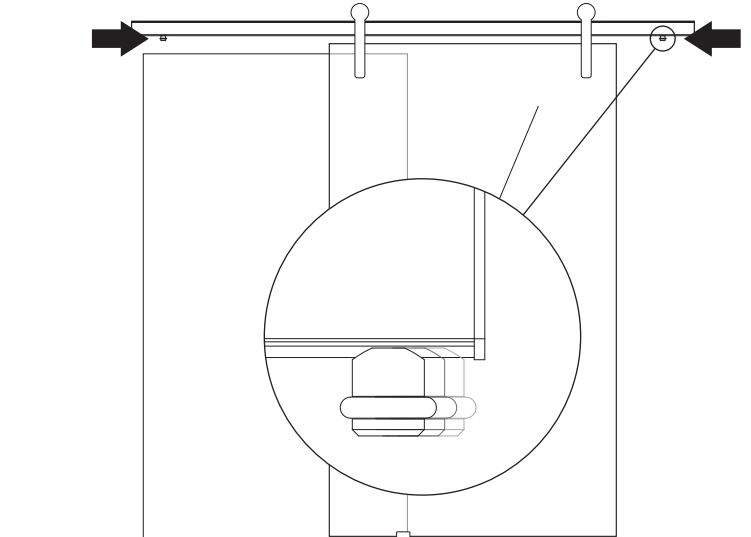


Not following the above instructions can cause a hazardous condition.



21. POSITION DOOR STOPS

- 1 With the door in the desired closed position, slide the door stop so that it touches the trolley stop of the trailing trolley. Tighten the door stop in place to 108 inch-lbs (9 ft-lbs) with appropriate torque wrench.
 - 2 Repeat with the door in the open position, sliding the door stop so that it touches the trolley stop of the leading trolley.
- ❗ Verify that the bottom guide is properly engaged in the fully open and fully closed positions.



22. PRODUCT CARE

Common Parts

Wheels (bearings) should occasionally be lubricated with bearing oil (e.g. SHC 630 Synthetic Gear and Bearing Oil by Exxon Mobil Corp: www.mobil.com).

Brushed Stainless

To clean any time after installation, use a non-abrasive lint free cloth or sponge and household glass cleaner. (Remember to test an inconspicuous area prior to cleaning hardware.) Do not use steel wool, or a Scotch Brite pad, as it can scratch the product.

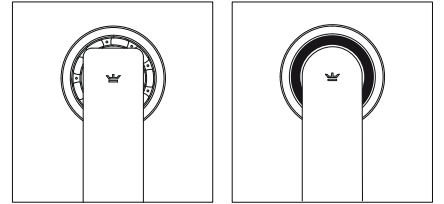
Black Stainless

To enhance the depth and shine of the finish, periodically apply a thin coating of petroleum jelly with a clean cloth, buff clean and dry. Do not use steel wool, or a Scotch Brite pad, as it can scratch the product.

Product may be covered by pending and awarded U.S. patents. For more information visit www.krownlab.com

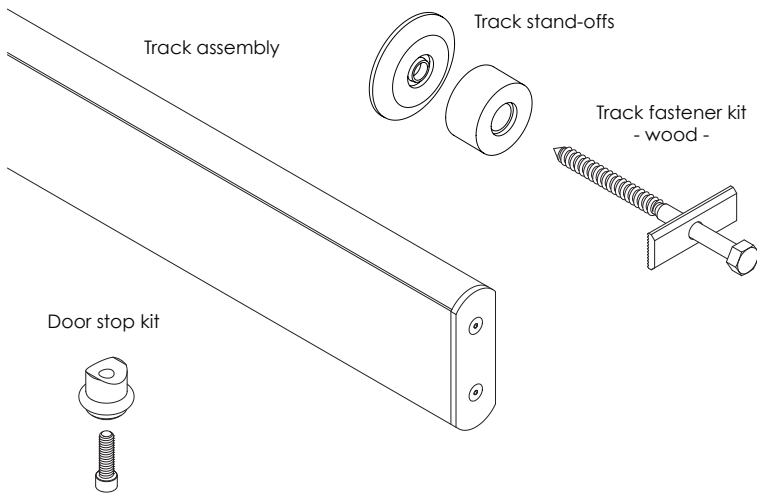
RAGNAR + ODEN

GLASS MOUNT, BI-PARTING

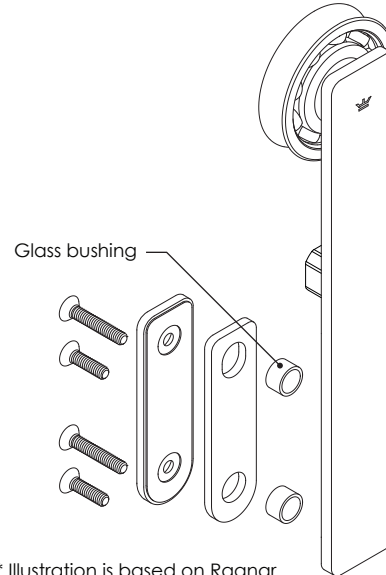


I. VERIFY ALL COMPONENTS

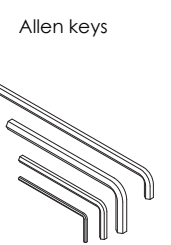
BASE KIT



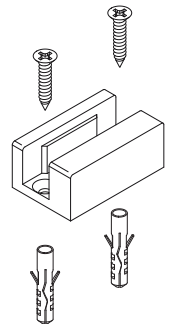
Trolley kit *



Allen keys



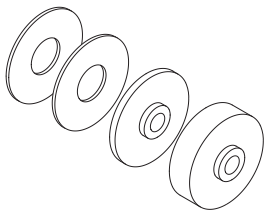
Glass bottom guide kit



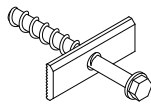
* Illustration is based on Ragnar

SYSTEM OPTIONS AND ADDITIONS

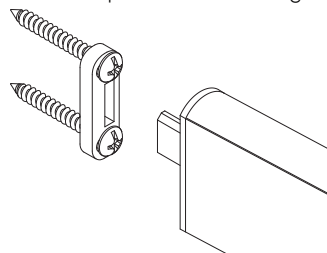
Drywall insert kit



Track fastener kit
- concrete -



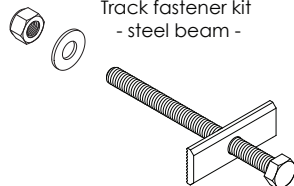
Perpendicular wall fitting kit



Track shim kit

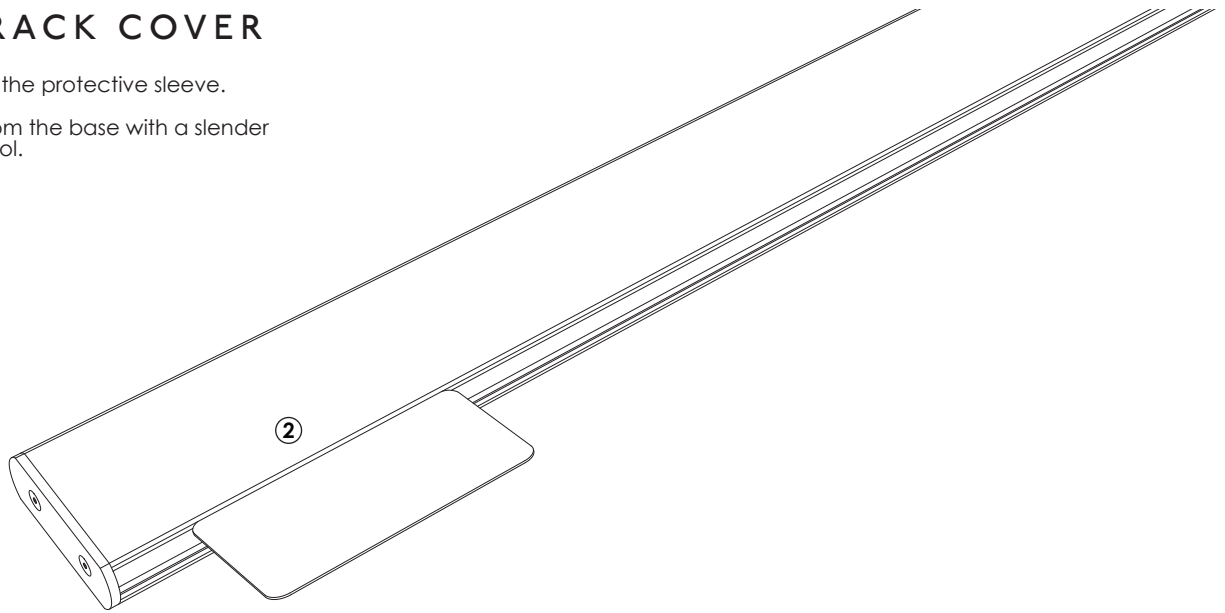


Track fastener kit
- steel beam -



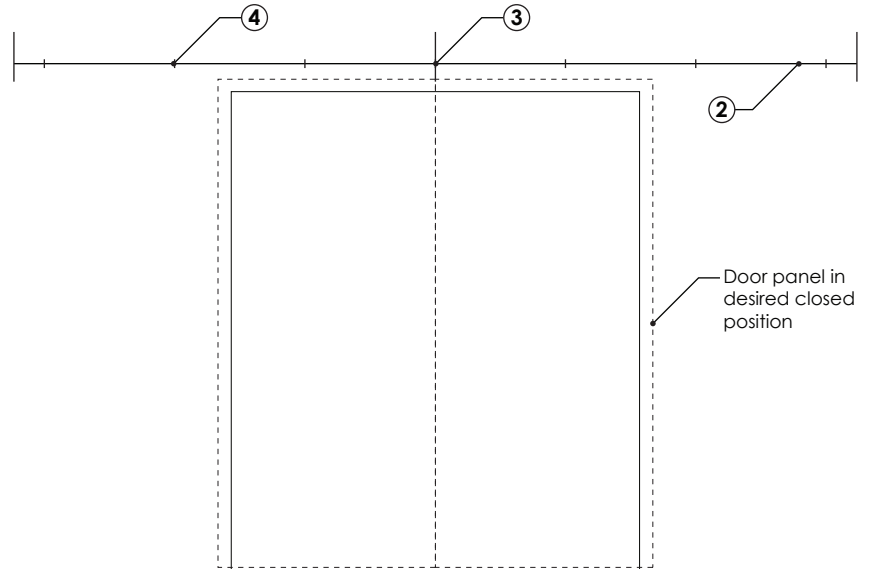
2. REMOVE TRACK COVER

- ① Remove the track from the protective sleeve.
- ② Gently pry the cover from the base with a slender plastic (non-marring) tool.



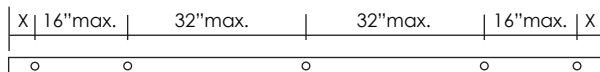
3. LOCATE TRACK ATTACHMENT POINTS

- ① Determine the height of the track centerline:
 $\text{HEIGHT} = \text{DOOR PANEL HEIGHT} + 2\text{-}7/8\text{"}$
 This will result in a 3/8" clearance between your door panel and the floor. Adjust if desired or necessary.
- ② Mark the track centerline on your wall. (If you run a length of painter's tape along your wall, you'll thank us later!)
- ③ On the wall, mark the desired location of the middle point of your track.
- ④ Determine and mark the locations of all mounting points along the track centerline. If your track was pre-drilled, simply transfer the hole pattern from the track to the wall. If you purchased an un-drilled track, see step 4.

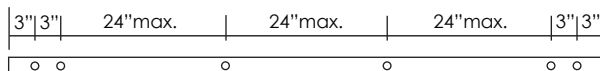


4. OPTIONAL STEP - UNDRILLED TRACK

- ① If you ordered an un-drilled track, first determine and mark your desired mounting point locations on the wall.
- ② Then mark and drill corresponding 9/16" holes in your track as shown.



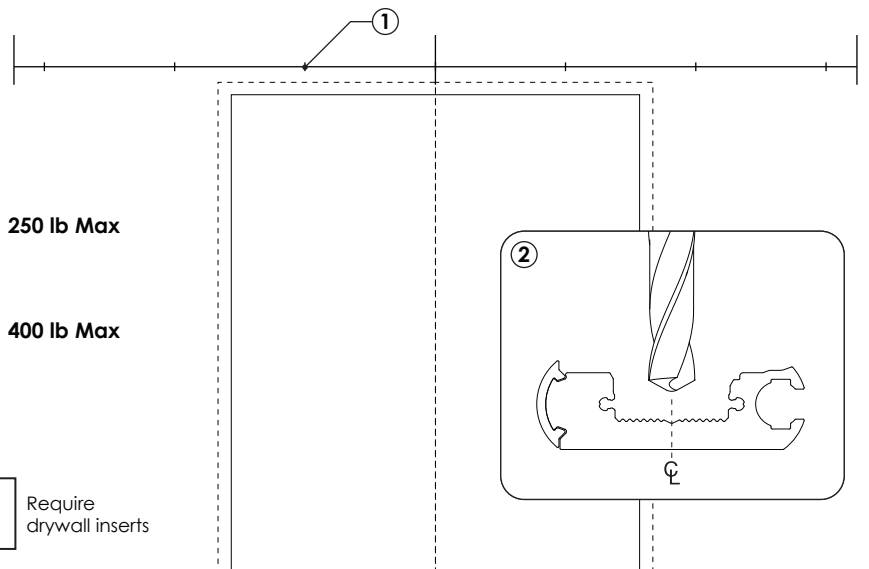
250 lb Max



400 lb Max

Panel weight	X*	Mounting points
up to 100lbs	6"	3 minimum
101 - 200 lbs	5"	3 minimum
201 - 300 lbs	3"	4 minimum
301 - 400 lbs	1.5"	5 minimum

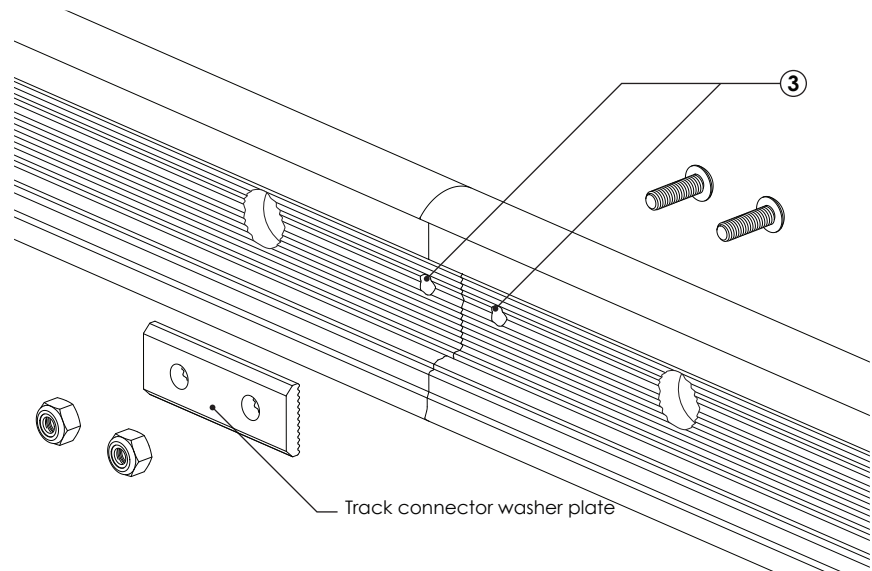
Require drywall inserts



* Maximum length of track allowed beyond end mounting points

5. OPTIONAL STEP - LINK MULTIPLE TRACKS

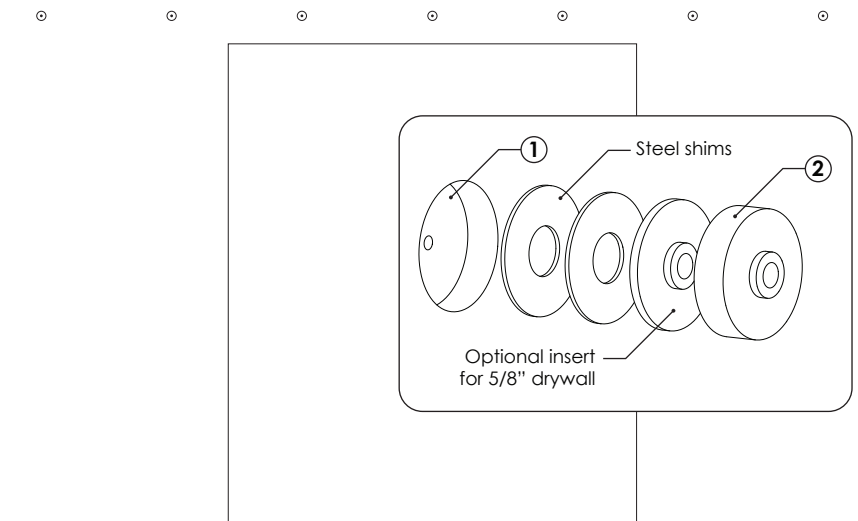
- ① Using the provided allen keys, remove the end cap from the correct end of each track.
- ② Butt tracks end to end as they will be installed on your wall. Using the track connector washer plate centered over the seam between the tracks as a template, mark each track for drilling.
- ③ Drill a 13/64" hole in each track.
- ④ Connect tracks by assembling the track connector washer plate as shown. Ensure that washer teeth align with teeth in the track before tightening fasteners. Torque fasteners to 48 inch-lbs (4 ft-lbs).



6. OPTIONAL STEP - INSTALL DRYWALL INSERTS

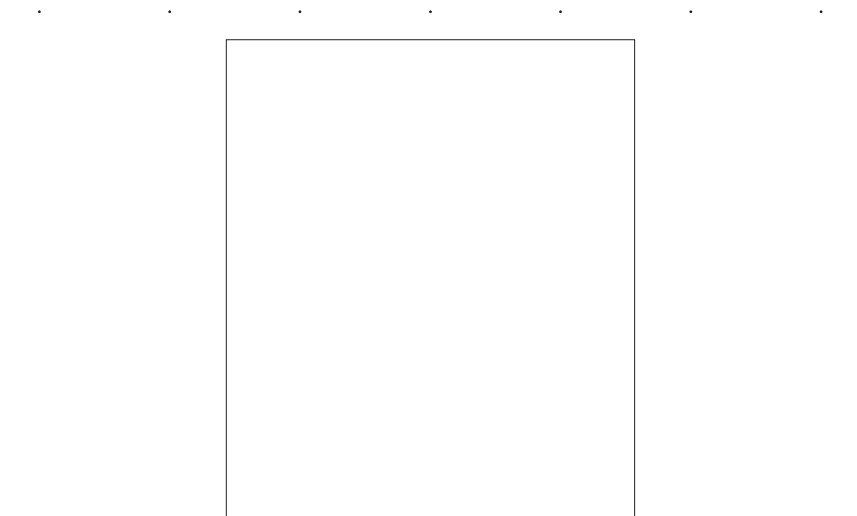
Required for high use installations and doors in excess of 200 lbs.

- ① Use a 1-3/4" spade bit to remove the drywall at each mounting point.
 - ② Place a drywall insert into each drywall cavity.
- ❗ To perform their function, drywall inserts must be up against the structural material of your wall and flush with the finished surface of the drywall. If needed, use the included steel shims as shown.



7. PREPARE WALL

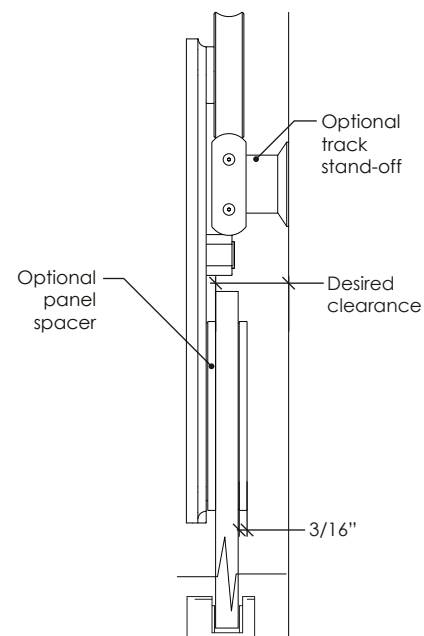
- ① Drill a pilot hole for each mounting point.
- ❗ Make sure that each mounting point engages an appropriate amount of structural material:
- A. Wood or metal stud framed walls must have 3" of solid wood blocking secured to studs or other framing members.
 - B. Concrete and masonry walls must be solid and thicker than the minimum required thread engagement of 1-1/2".
 - C. Steel beams must be structural in nature and have a minimum wall thickness of 1/4". Note that you cannot attach this hardware to sheet metal studs.



8. DETERMINE DESIRED WALL CLEARANCE

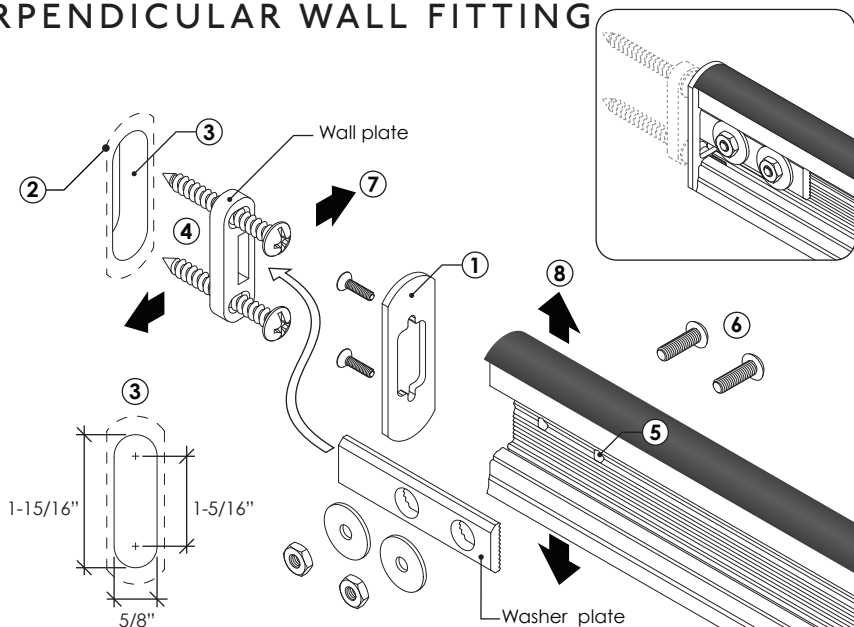
- Determine if you need to use the optional panel spacer based on panel thickness and base board.

Desired clearance	Required 1/4" track stand-off	Optional 3/4" track stand-off	Optional panel spacer
1"	√		√
1-1/4"	√		
1-3/4"	√	√	√
2"	√	√	



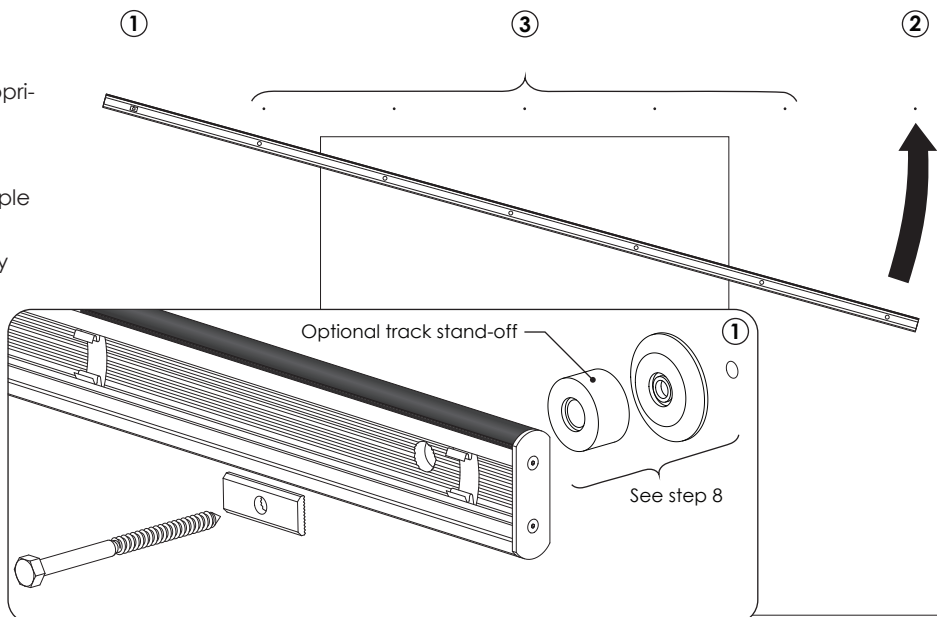
9. OPTIONAL STEP - INSTALL PERPENDICULAR WALL FITTING

- Remove the pre-installed end cap and replace it with the perpendicular wall fitting end cap.
- Temporarily stage the track in the desired position on the wall. Mark the track outline on the wall.
- Carefully remove the drywall inside the outlined area. See dimensions at right.
- Install the wall plate in the drywall cavity. Ensure that the plate is up against the structural material of the wall.
- Fully insert the washer plate into the rectangular hole of the wall plate. Butt the track up to the wall and mark the holes from the washer plate on the track. Drill two 13/64" holes in the track.
- Attach the washer plate to the track as shown. Ensure that washer teeth align with teeth in the track before tightening fasteners. Torque fasteners to 48 inch-lbs (4 ft-lbs).
- Oval holes in wall plate allow for track position to be horizontally adjusted if necessary.
- Teeth on washer plate and track allow for track position to be vertically adjusted if necessary.



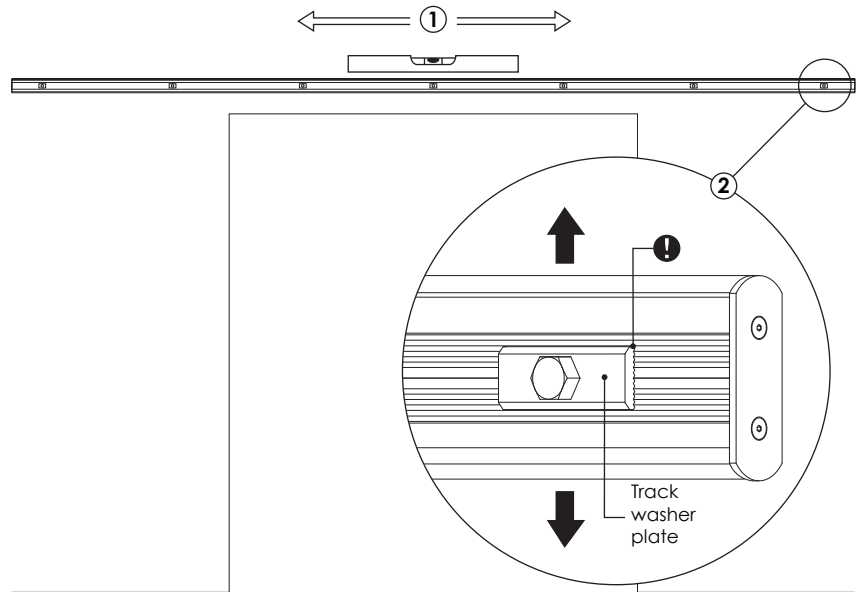
10. MOUNT TRACK TO WALL

- Ensuring that the black plastic track cap faces up, loosely install one end of your track with the appropriate track spacers and hardware.
- Repeat with the opposite end of the track.
- Support the track assembly along its length if multiple tracks are linked together.
- With both ends of the track now supported, loosely install the remaining mounting points.



11. ADJUST TRACK HEIGHT

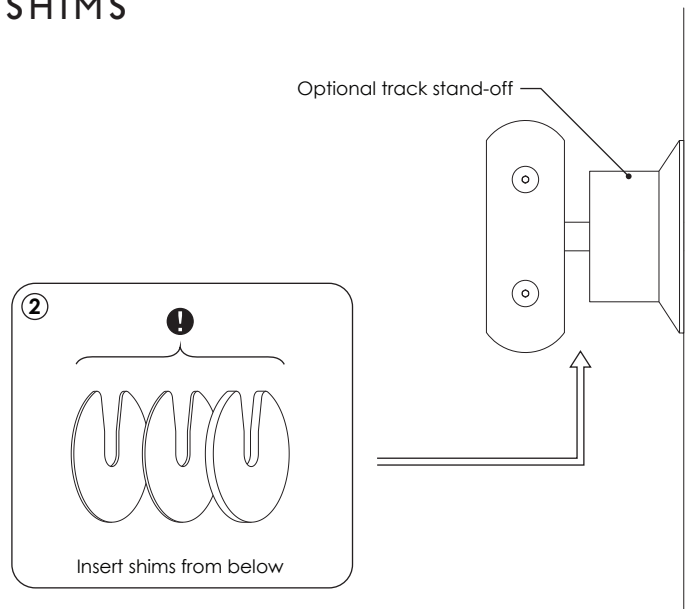
- 1 Tighten each track fastener starting at the center and moving toward the ends. For maximum adjustability, start by positioning the washer plate in the center (neutral) position.
- ⚠ Be sure to account for sloped or uneven floor when setting track height.
- 2 Use the Tru-Level™ System to make sure track is level: adjust the position of the washer plate at each mounting point until track is level.
- ⚠ Ensure that washer teeth align with teeth in the track before tightening fasteners.



12. OPTIONAL STEP - INSTALL TRACK SHIMS

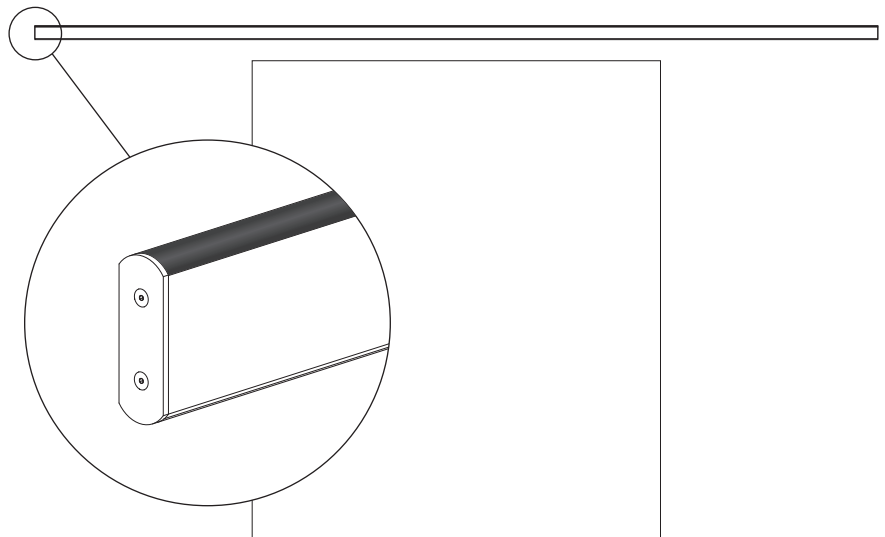
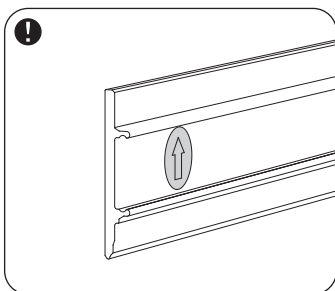
- 1 Sight down the length of your track to determine if unevenness in the wall is causing your track to bow. If necessary:
- 2 Loosen track attachment points as needed and insert shims from below. Ensure that the opening of the shim faces up. Start with one of the thinner shims, adding and swapping shims as needed until the track is straight to within the thickness of one shim.
- ⚠ If optional track stand-offs are installed, do not use more than one shim kit per mounting point.

NOTE: Bowing in the track will negatively affect the performance of the entire system, causing increased friction and excessive wear on some components. Krownlab's warranty does not cover wear caused by improper installation.



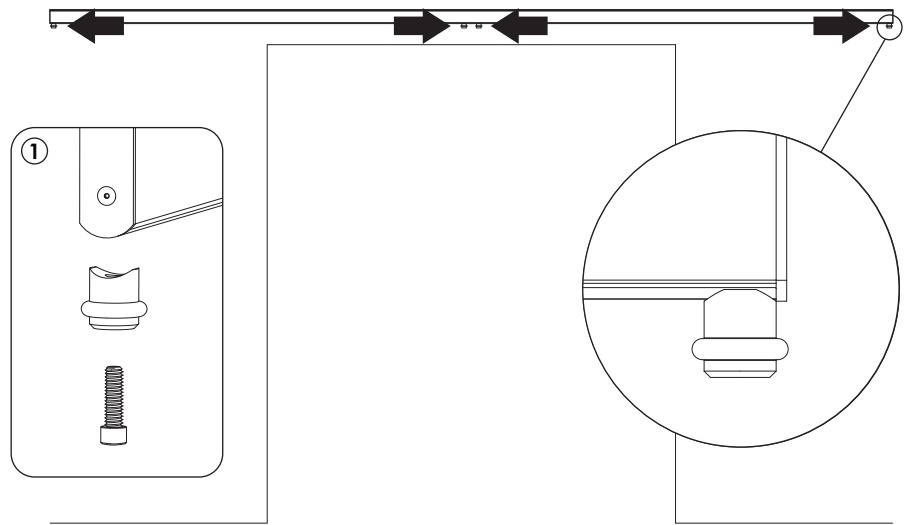
13. ATTACH TRACK COVER

- 1 After the track has been leveled, shimmed, and all mounting points have been securely fastened to 120 inch-lbs (10 ft-lbs) with appropriate torque wrench, reattach the track cover.
- ⚠ Ensure that the arrow on the inside of the track cover is facing up.



14. ATTACH DOOR STOPS

- 1 Locate the preinstalled nuts in the bottom of the track. Loosely screw a door stop to each nut.
- 2 Temporarily slide door stops to the center and ends of the track. Do not tighten the stops until step 21.

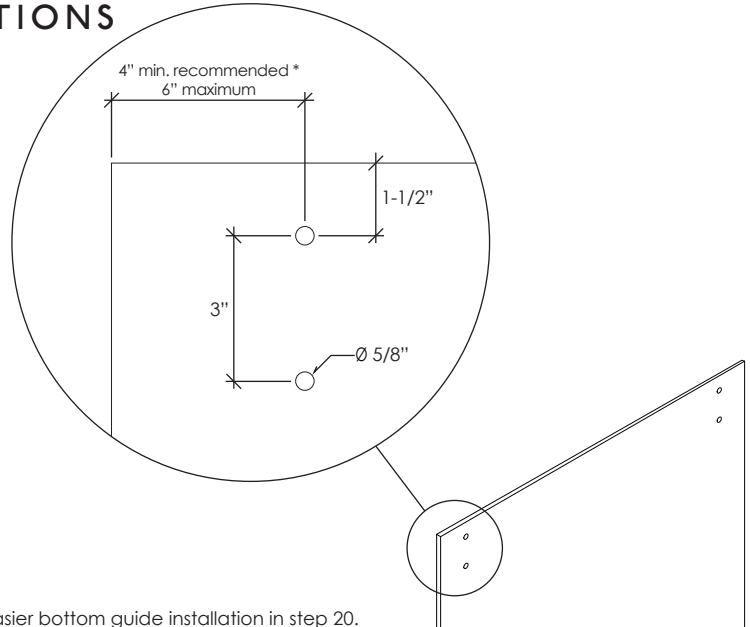


15. VERIFY DOOR PANEL SPECIFICATIONS

- 1 Ensure the glass door panel has the correct hole placement, hole sizing, and is prepared per Krownlab's Glass Panel Specs document (located at www.krownlab.com/downloads)
- 2 Inspect glass for any defects, e.g. chips, deformations, or irregularly shaped holes.



Do not use glass with any defects!!!! Any defect is a safety hazard and must be replaced.



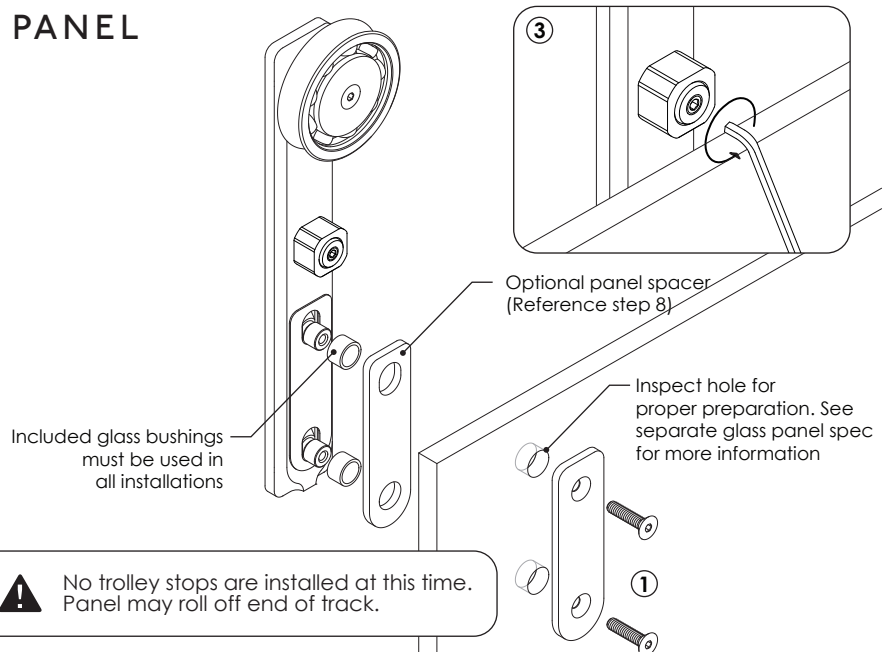
* Facilitates easier bottom guide installation in step 20.

16. ATTACH TROLLEYS TO DOOR PANEL

- 1 Attach the trolleys using the correct length fastener as shown in the table below.
 - 2 Gently tighten, then back out each screw a half turn. This will allow you to adjust the panel height after installation.
 - 3 Remove the trolley stops with provided 9" wrench. Note how tight the screws are. You will need to tighten the screws to this same tension when the trolley stops are reinstalled.
 - 4 Carefully hang your panel.
- ⚠ Do not yet install your door pulls or other door hardware.

Optional panel spacer	Correct screw lengths			
	3/8" panel	1/2" panel	5/8" panel	3/4" panel
	3/4"	3/4"	1"	1"
√	1"	1"	1-1/4" *	1-1/4" *

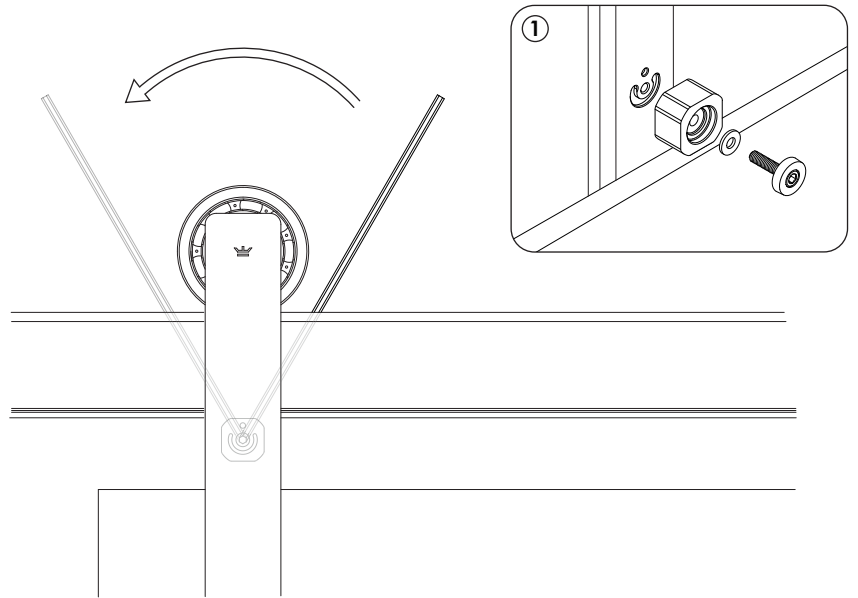
*Bagged with bottom guide



17. REINSTALL TROLLEY STOPS

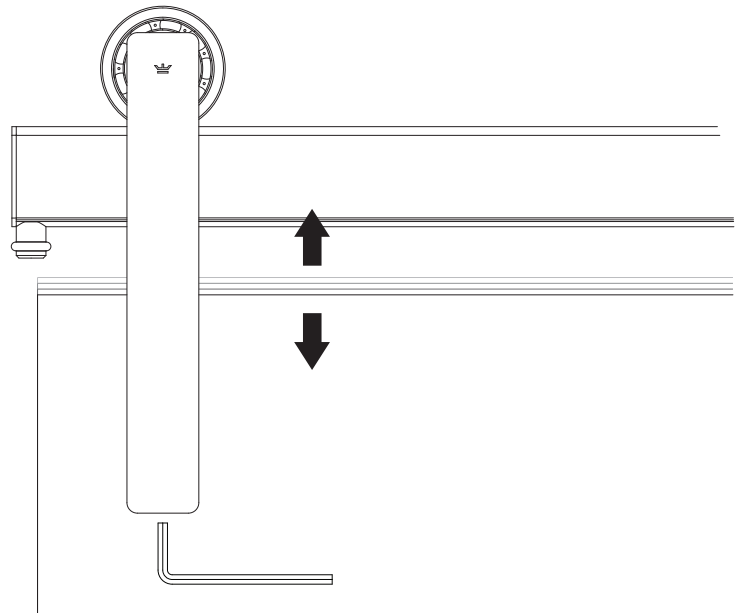
- 1 Place the trolley stop assembly on the back of the trolley.
 - 2 Align interlocking features and fully seat the trolley stop. Note that a properly seated trolley stop will have interlocking features fully engaged and you will not be able to twist it.
 - 3 Thread and tighten the trolley stop screw using your fingers until finger-tight.
 - 4 Slide the provided 9" wrench behind the track and firmly tighten the screw to 48 inch-lbs (4 ft-lbs). Please note this is the same tightness the screw had when it arrived.
 - 5 Repeat above steps for second trolley
- ❗ In some instances, screw may also be accessed from inside the door opening. This may aid installation.

Note: Please keep the 9" wrench to make it easier to uninstall your sliding door.



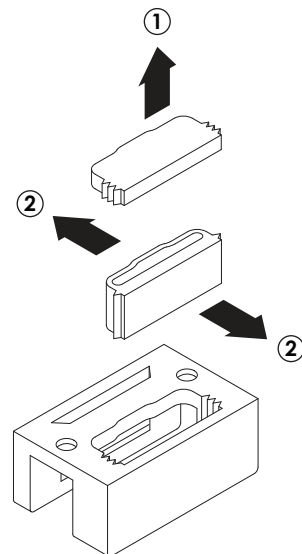
18. ADJUST PANEL HEIGHT

- 1 Visually check for any interference due to an uneven, sloped or irregular floor.
 - 2 If necessary, adjust the height of the panel by tightening the screws at the bottom of each trolley.
 - 3 After the panel height has been adjusted, tighten the trolley screws to 108 inch-lbs (9 ft-lbs) with appropriate torque wrench on the back side of the panel.
- ❗ If additional vertical adjustment is required, unhang the door panel, remove the track cover, and adjust the track up or down as needed.



19. ADJUST GLASS BOTTOM GUIDE

- 1 Remove adjustment cover from the underside of bottom guide.
 - 2 Position adjustment plate to fit your door panel thickness and reattach the adjustment cover.
- ❗ If your door panel is 5/8" or 3/4" thick, you will have received a bottom guide for your specific thickness.

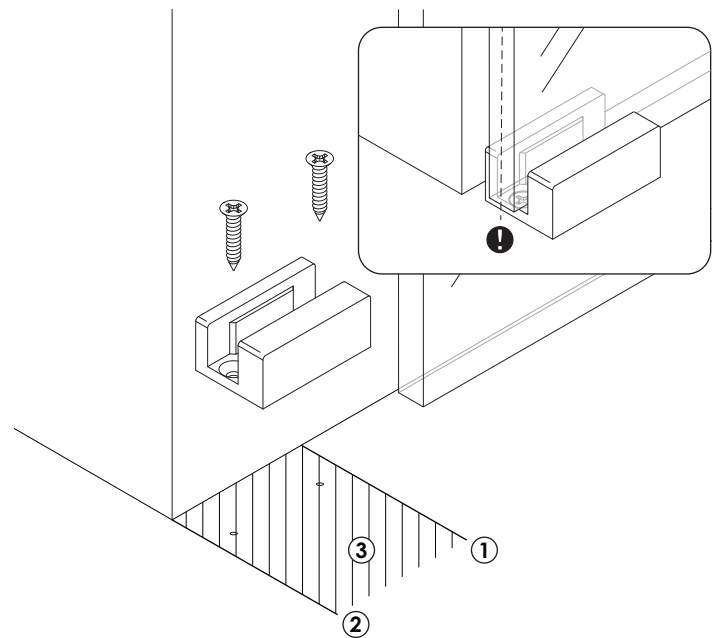


20. INSTALL GLASS BOTTOM GUIDE

- 1 With the door in the desired closed position, mark the leading edge of your door panel.
 - 2 With the door in the desired open position, mark the trailing edge of your door panel.
 - 3 Temporarily move the door panel beyond the fully open position, revealing the overlap area.
 - 4 Install the glass bottom guide in the overlap area with the adjustment plate facing away from the wall. Position it at the appropriate distance from the wall so that the door panel hangs plumb.
 - 5 You can now install your door pulls and other door hardware.
- ❗ Installation of bottom guide is mandatory. Door panel has to be engaged by bottom guide along its entire travel. Door has to be installed plumb.

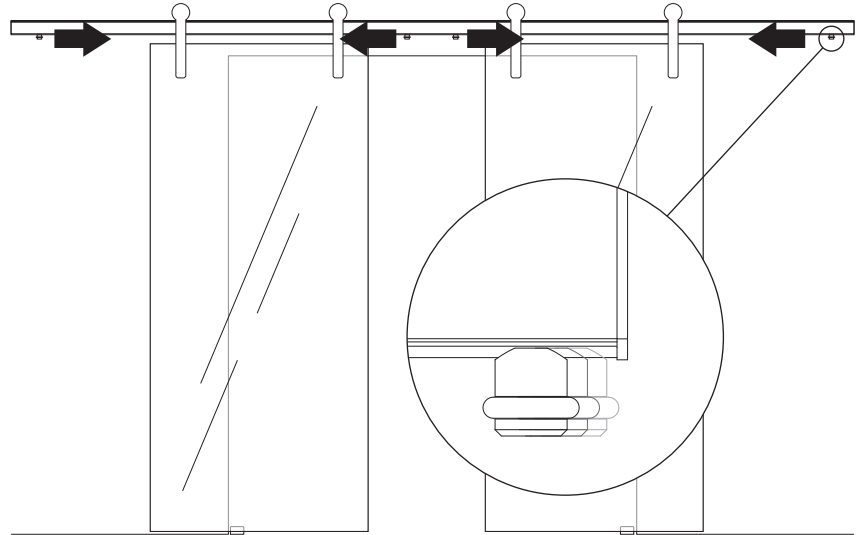


Not following the above instructions can cause a hazardous condition.



21. POSITION DOOR STOPS

- 1 With the doors in the desired closed position, slide the door stop so that it touches the trolley stop of the trailing trolley. Tighten the door stop in place to 108 inch-lbs (9 ft-lbs) with appropriate torque wrench.
 - 2 Repeat with the doors in the open position, sliding the door stop so that it touches the trolley stop of the leading trolley.
- ❗ Verify that the glass bottom guides are properly engaged in the fully open and fully closed positions.



22. PRODUCT CARE

Common Parts

Wheels (bearings) should occasionally be lubricated with bearing oil (e.g. SHC 630 Synthetic Gear and Bearing Oil by Exxon Mobil Corp: www.mobil.com).

Brushed Stainless

To clean any time after installation, use a non-abrasive lint free cloth or sponge and household glass cleaner. (Remember to test an inconspicuous area prior to cleaning hardware.) Do not use steel wool, or a Scotch Brite pad, as it can scratch the product.

Black Stainless

To enhance the depth and shine of the finish, periodically apply a thin coating of petroleum jelly with a clean cloth, buff clean and dry. Do not use steel wool, or a Scotch Brite pad, as it can scratch the product.

Product may be covered by pending and awarded U.S. patents. For more information visit www.krownlab.com