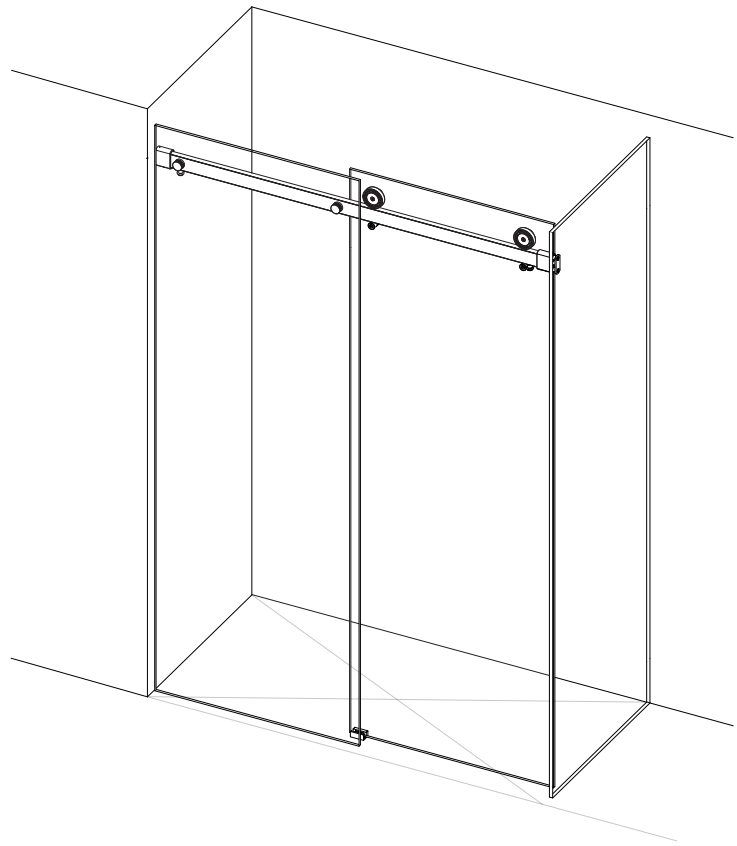
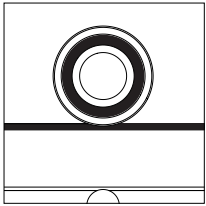




INSTALLATION INSTRUCTIONS

RORIK

CORNER, SINGLE PANEL



Product may be covered by pending and awarded U.S. patents. For more information visit www.krownlab.com

I. TOOLS + MATERIALS

TOOLS

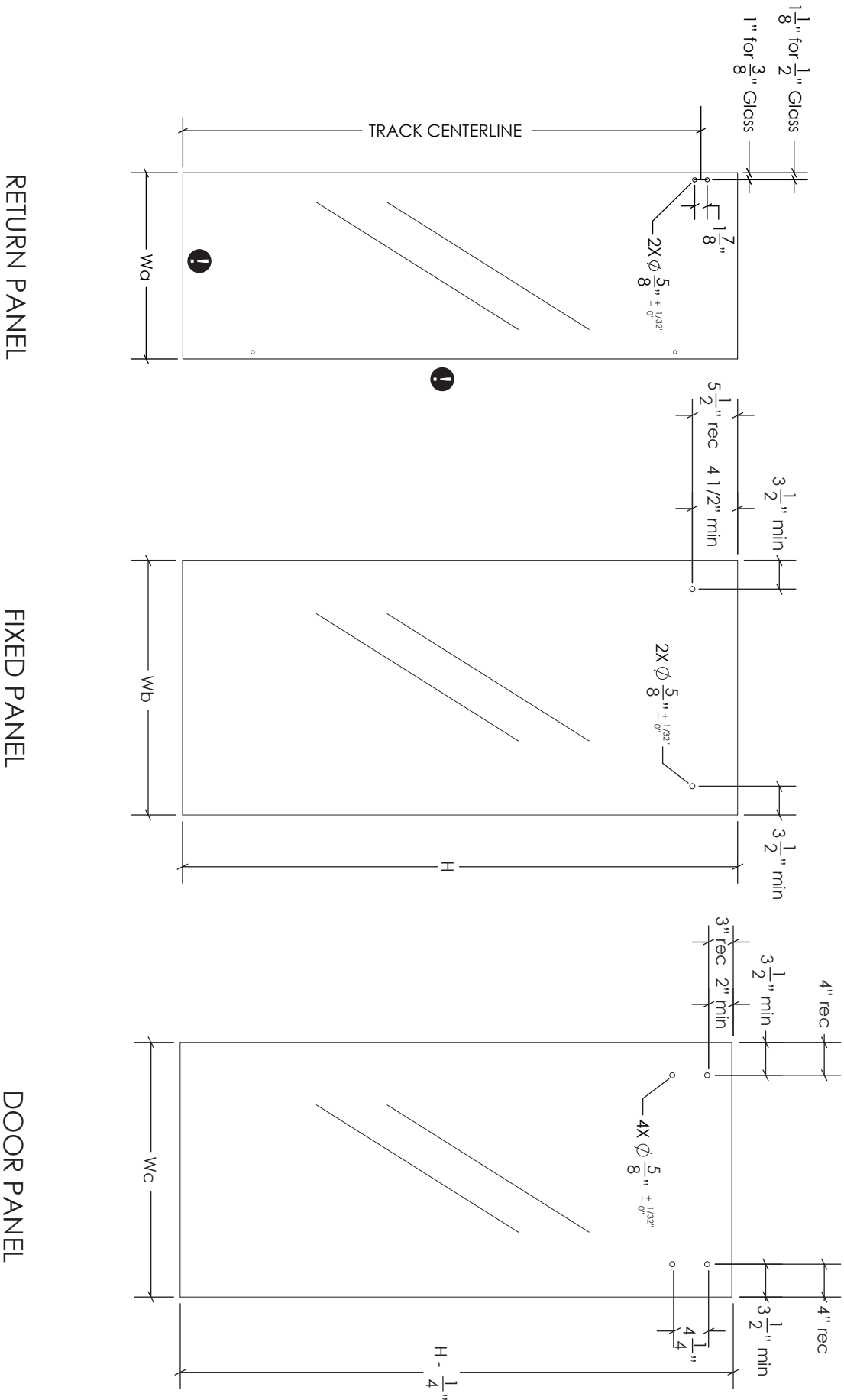
- 1/2" and 1/4" sockets
- Torque wrench capable of measuring 110 in-lbs (9.5 ft-lbs)
- Miter saw and carbide toothed blade
- #3 Phillips driver and extension
- 1/2" or 9/16" metal drill bit
- 3/8" tile or masonry drill bit

MATERIALS

- Clear glazing silicone
- Plastic shimming material
- Blue painters tape
- Pencil or other non permanent marking tool
- Bottom glazing channel (optional)
- Glass panels fabricated for your project

2. GLASS INSPECTION

- ① Confirm accuracy of dimensions. Ensure holes are properly sized, sealed, and free of chips.
- ❗ Installer is responsible for specifying fixed glass panel structural mounting hardware and methods. Prepare glass per the hardware manufacturers specifications.

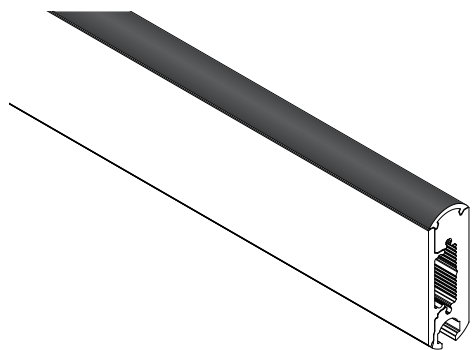


❗ Reference Rorik glass specs for additional information: www.krownlab.com/downloads

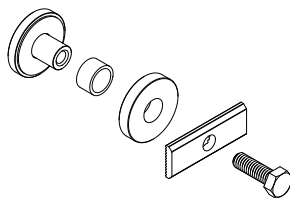
3. VERIFY COMPONENTS

BASE KIT

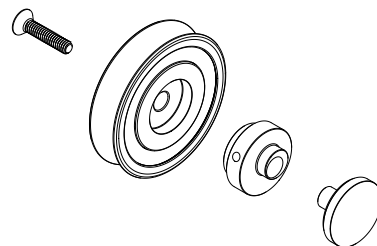
Track assembly



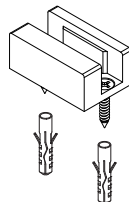
Mounting point kit
x 2



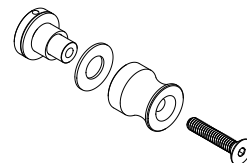
Bearing kit
x 2



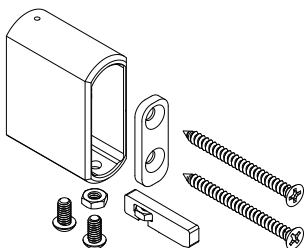
Glass bottom guide kit



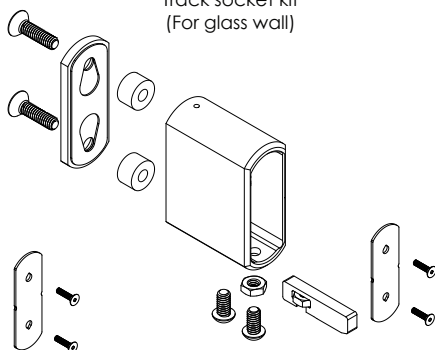
Panel stop kit
x 2



Track socket kit
(For framed wall)



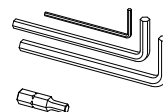
Track socket kit
(For glass wall)



Door stop kit
x 2

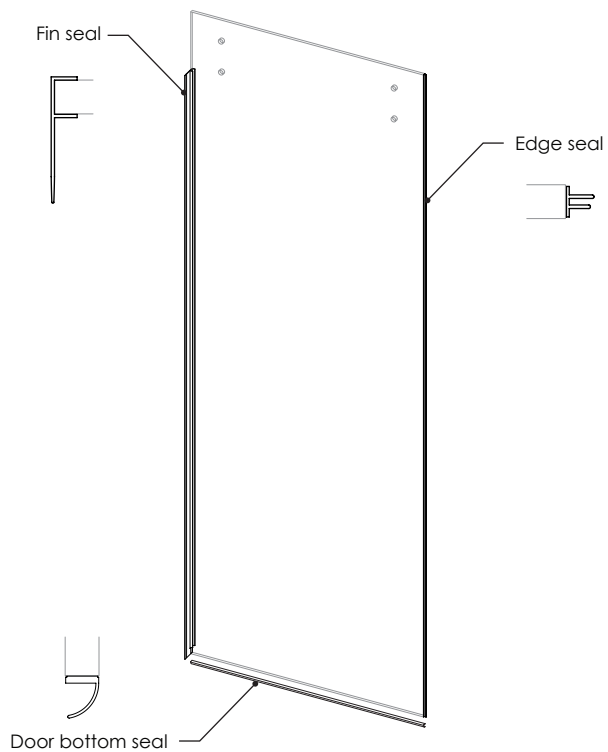


Allen keys

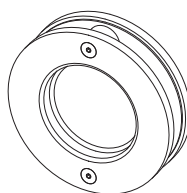


SYSTEM OPTIONS AND ADDITIONS

Seal kit



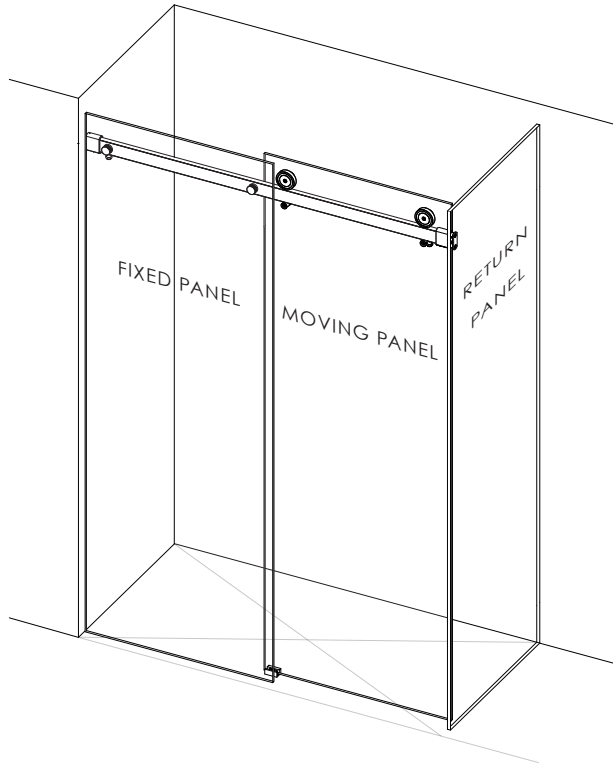
Ebba door pull



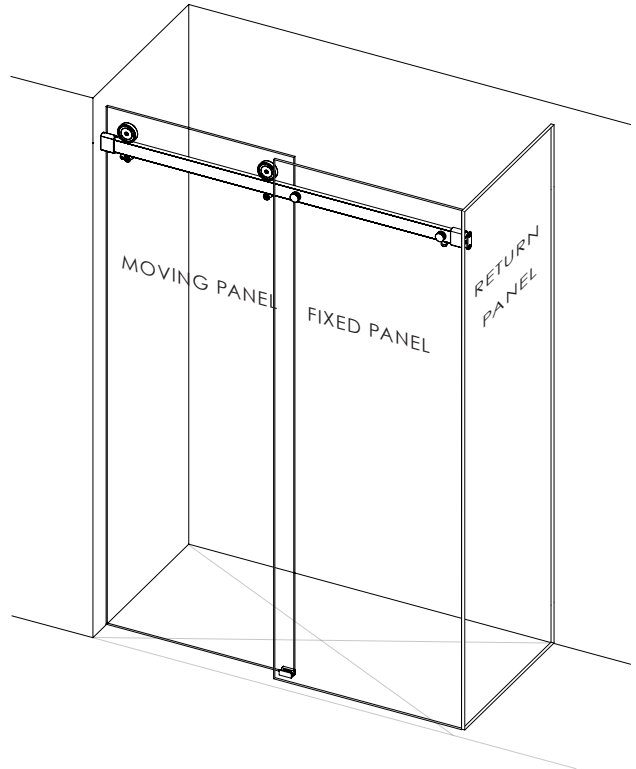
4. DETERMINE DOOR CONFIGURATION

① Determine the optimal orientation of the door based on your shower configuration.

RETURN PANEL ON RIGHT

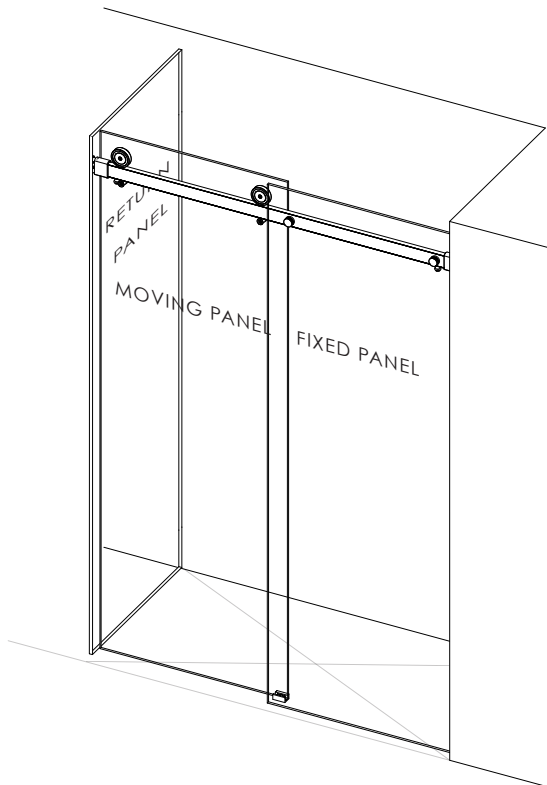


DOOR CLOSING AGAINST RETURN PANEL

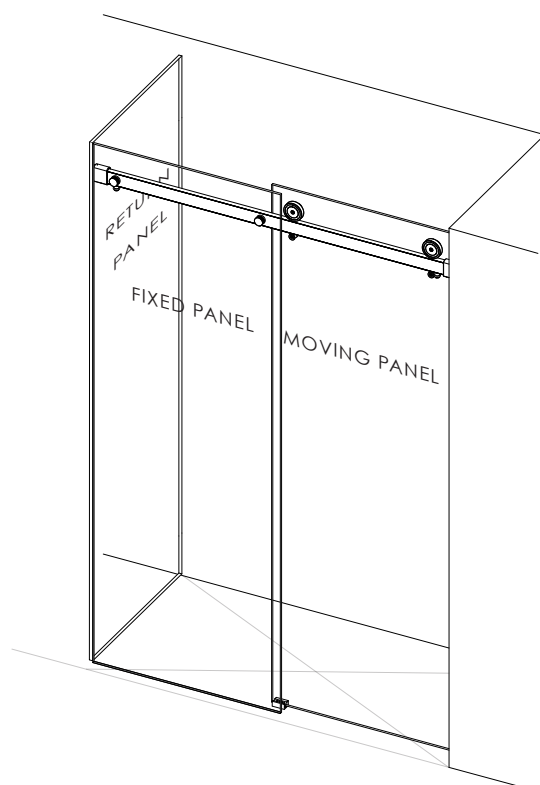


DOOR CLOSING AGAINST WALL

RETURN PANEL ON LEFT



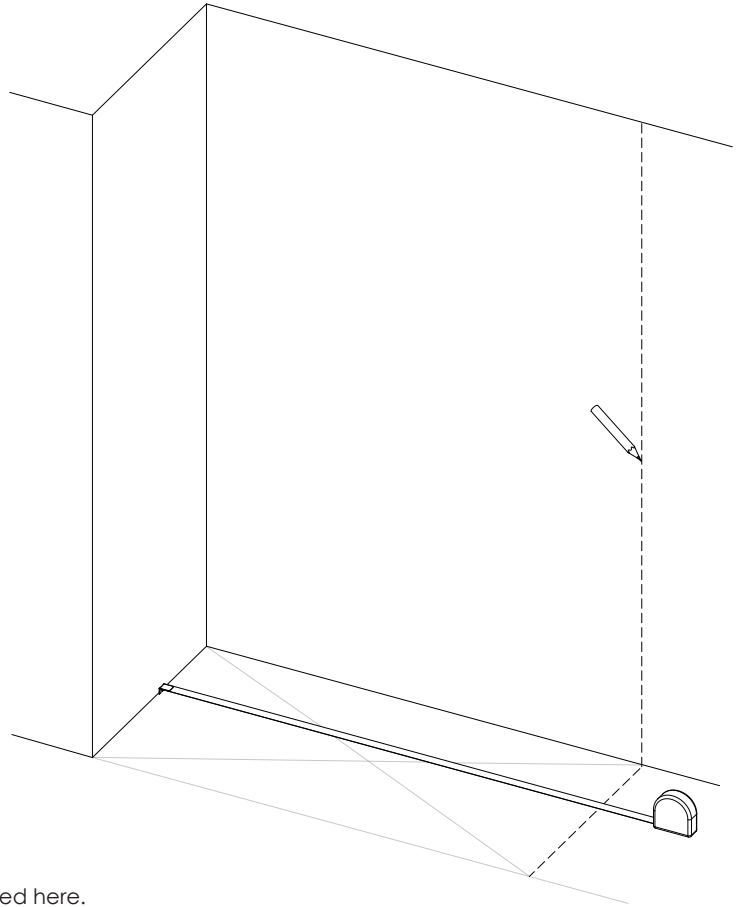
DOOR CLOSING AGAINST RETURN PANEL



DOOR CLOSING AGAINST WALL

5. MARK POSITION OF THE RETURN PANEL

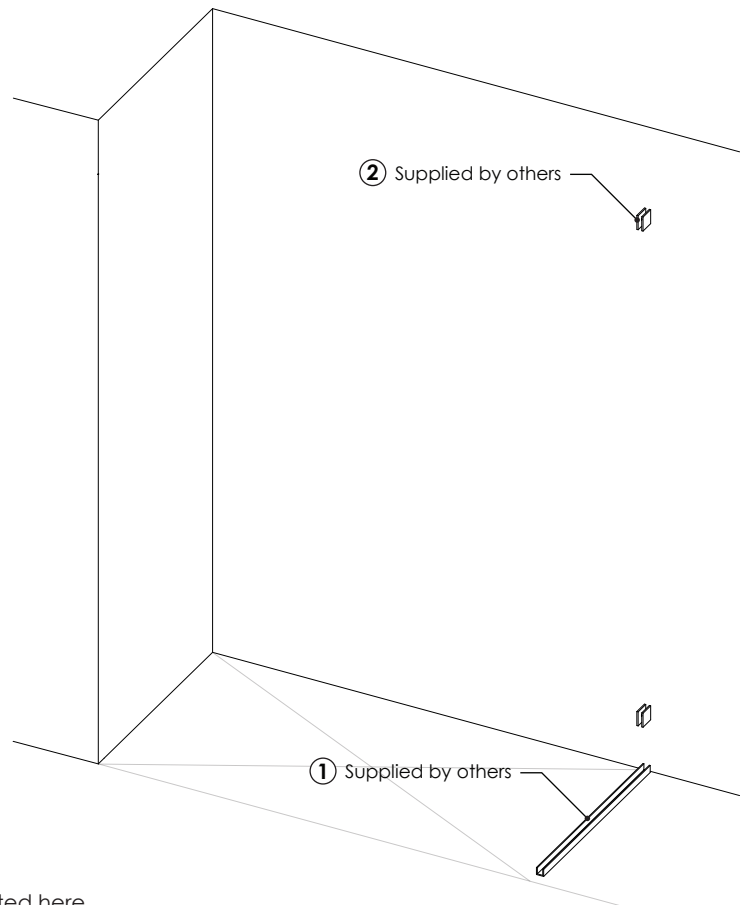
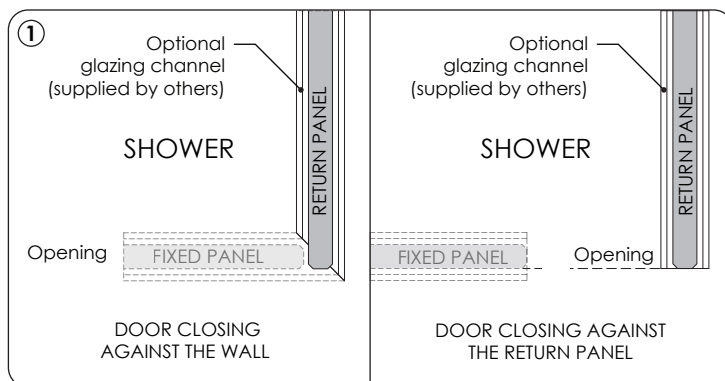
- ① Mark the centerline of the return panel in the desired location on the floor and wall.



*Installation with door closing to the right against the return panel illustrated here.

6. INSTALL RETURN PANEL SECURING HARDWARE

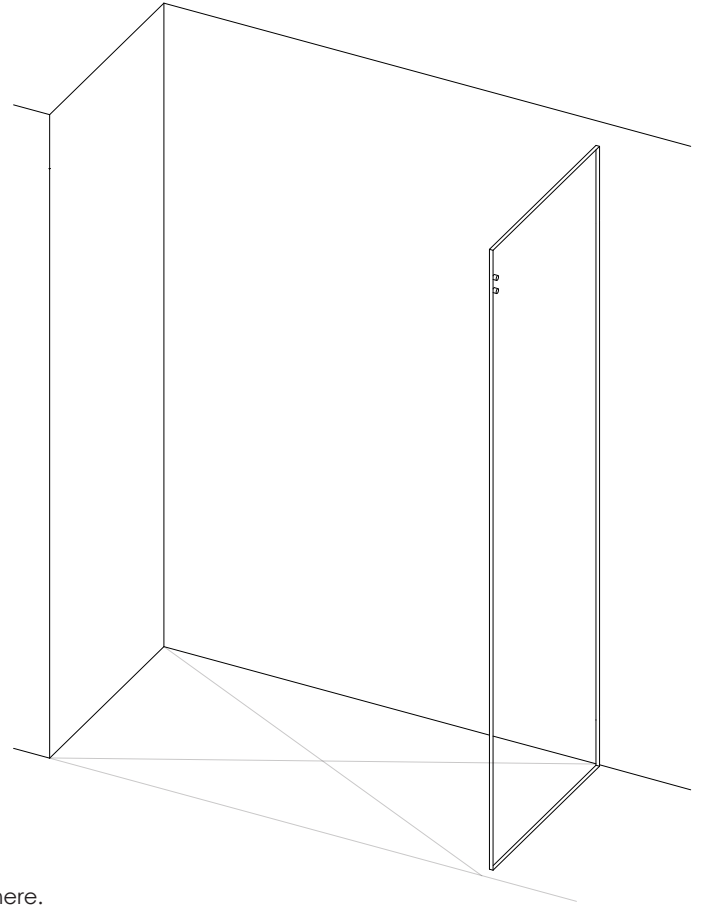
- ① If using a glazing channel for the return panel, trim and install it now using the manufacturer's recommended hardware (securing hardware for fixed panel will be installed in later steps).
 - For installations where the door closes against the wall, miter the glazing channels as shown below so that the fixed panel butts to the face of the return panel.
 - For installations where the door closes against the return panel, note that the outer face of the fixed panel needs to align with the end of the return panel.
 - ② If using patch style clips, position and install them based on the hole locations of the return panel. Use a minimum of two clips per side of the panel being attached.
- ⚠ Use silicone to seal all screws penetrating the wall and floor.



*Installation with door closing to the right against the return panel illustrated here.

7. INSTALL GLASS RETURN PANEL

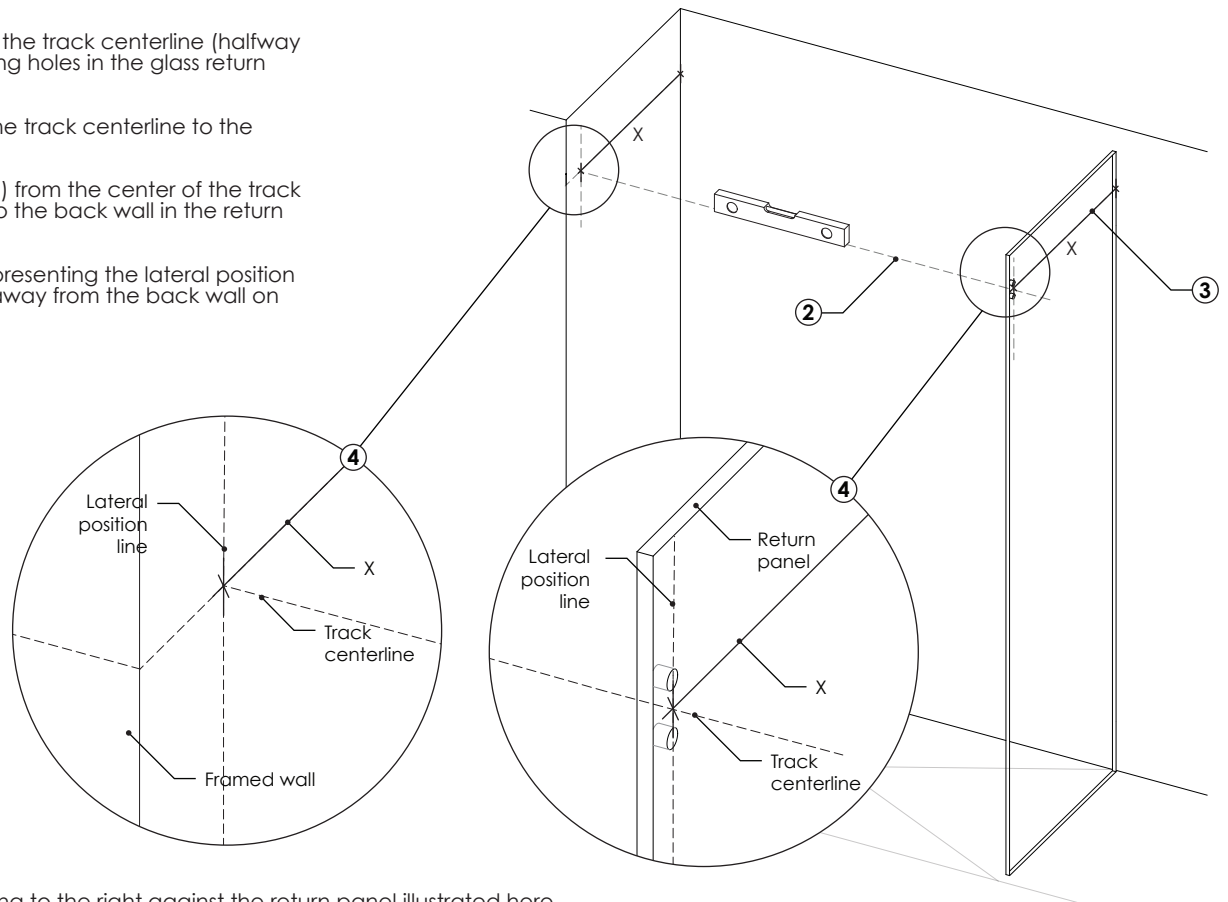
- ① Position the glass return panel in the securing hardware.
- ② Adjust and shim as needed to square the panel.
- ③ Secure the return panel in position with hardware.
- ❗ Ensure that all gaskets and bushings are used and that no glass is touching metal.



*Installation with door closing to the right against the return panel illustrated here.

8. MARK TRACK CENTERLINE AND LATERAL POSITION LINE

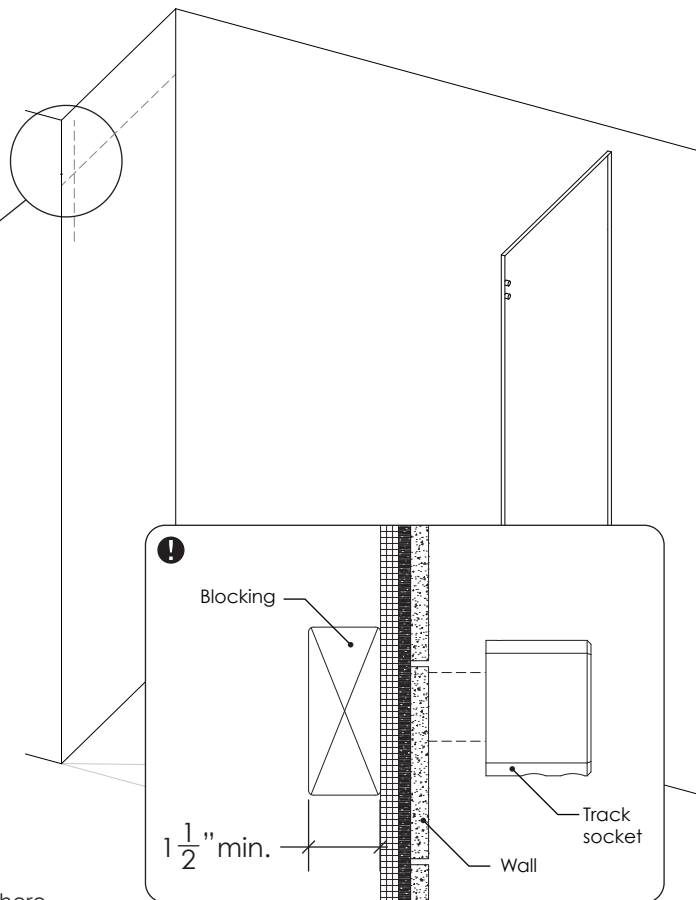
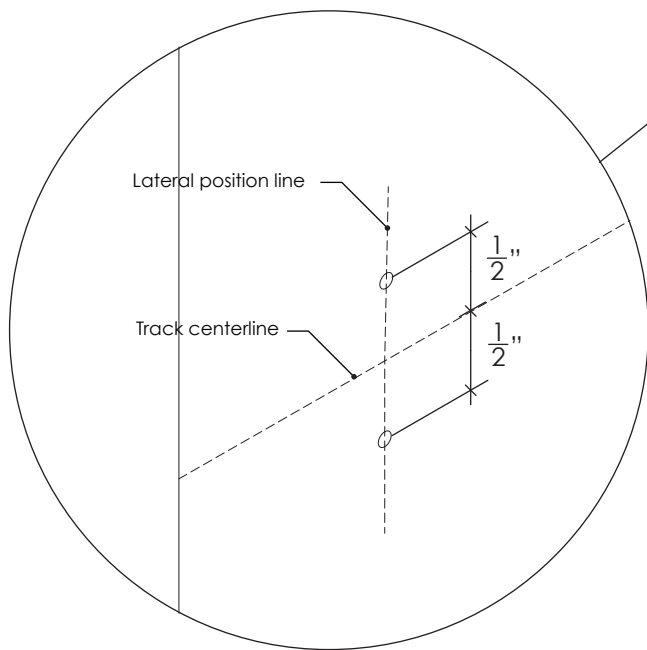
- ① Determine the height of the track centerline (halfway between socket mounting holes in the glass return panel).
- ② Transfer a line marking the track centerline to the framed wall.
- ③ Measure the distance (X) from the center of the track socket mounting holes to the back wall in the return panel.
- ④ Mark the vertical line representing the lateral position of the track X distance away from the back wall on the framed end wall.



*Installation with door closing to the right against the return panel illustrated here.

9. MARK MOUNTING HOLE LOCATIONS

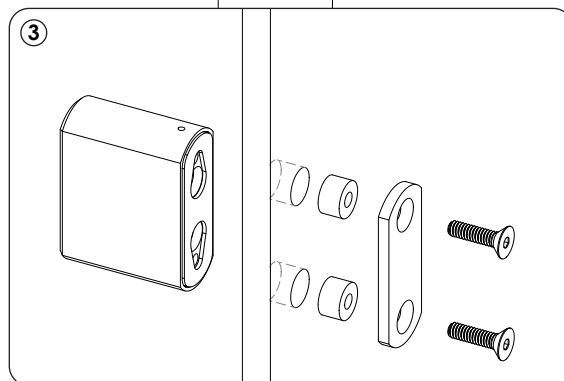
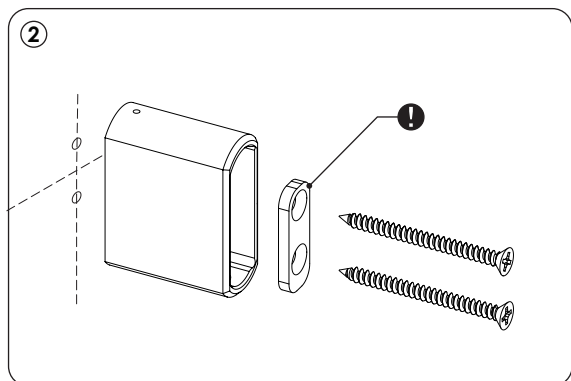
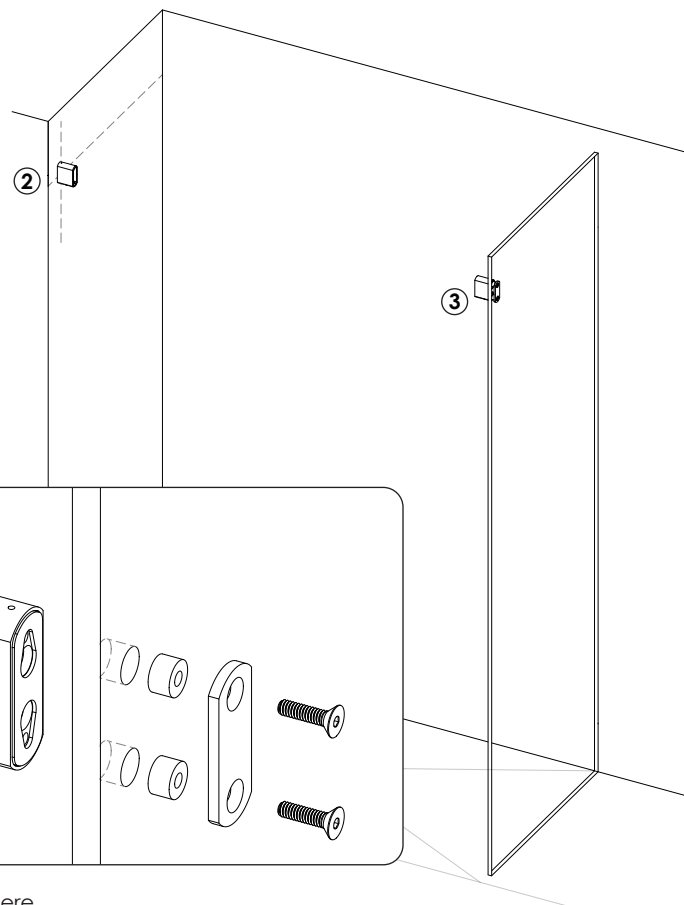
- ① Mark points 1/2" above and below the track centerline on the lateral position line.
- ⚠ This location must have at least 1-1/2" of solid wood blocking.



*Installation with door closing to the right against the return panel illustrated here.

10. INSTALL TRACK SOCKETS

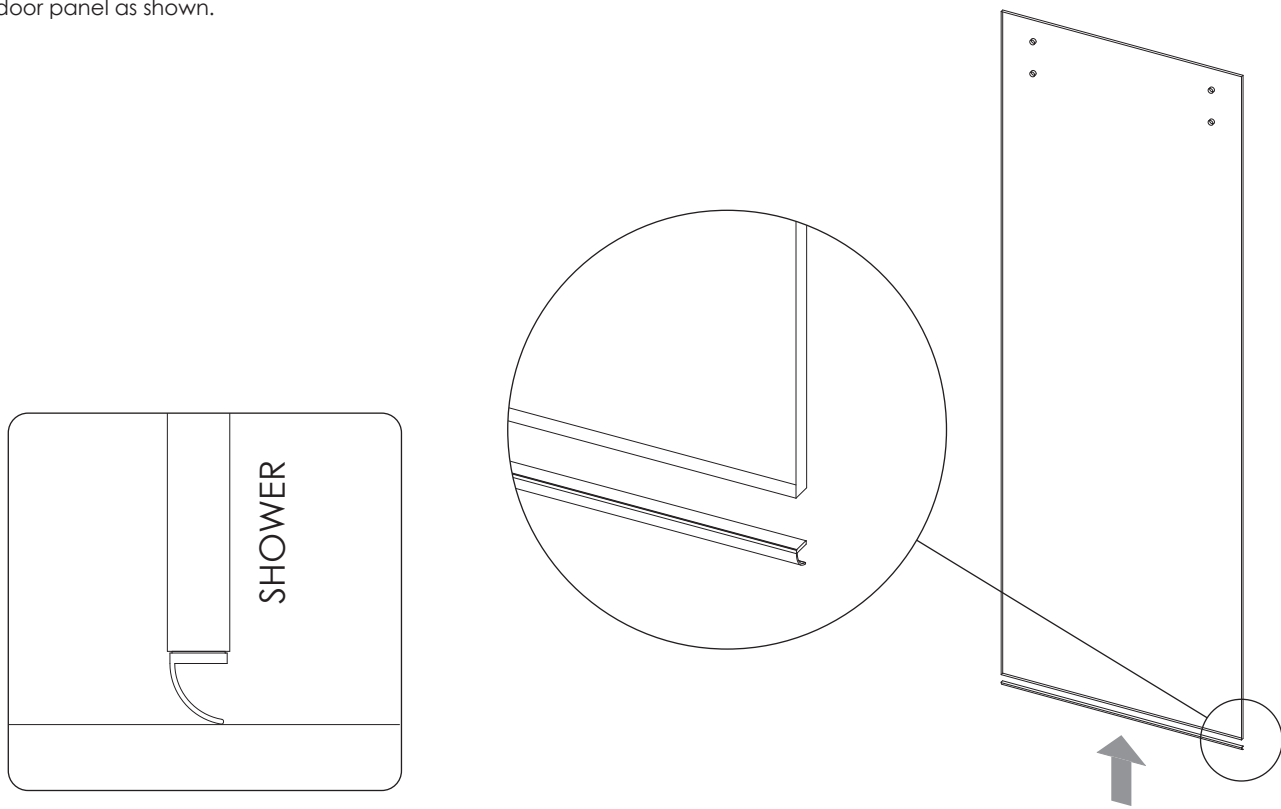
- ① Predrill holes at the marked locations on the wall.
 - 3/8" diameter recommended through tile layers
 - 1/8" recommended in underlying wood.
- ② Install the wall side socket as shown leaving the screws about a half a turn loose to allow for adjustment in next steps.
- ⚠ Note the orientation of the screw plate with the holes biased to the top.
- ③ Install the return panel track socket with the supplied 1" long screws as shown. Torque screws to 110 in-lbs (9.5 ft-lbs).



*Installation with door closing to the right against the return panel illustrated here.

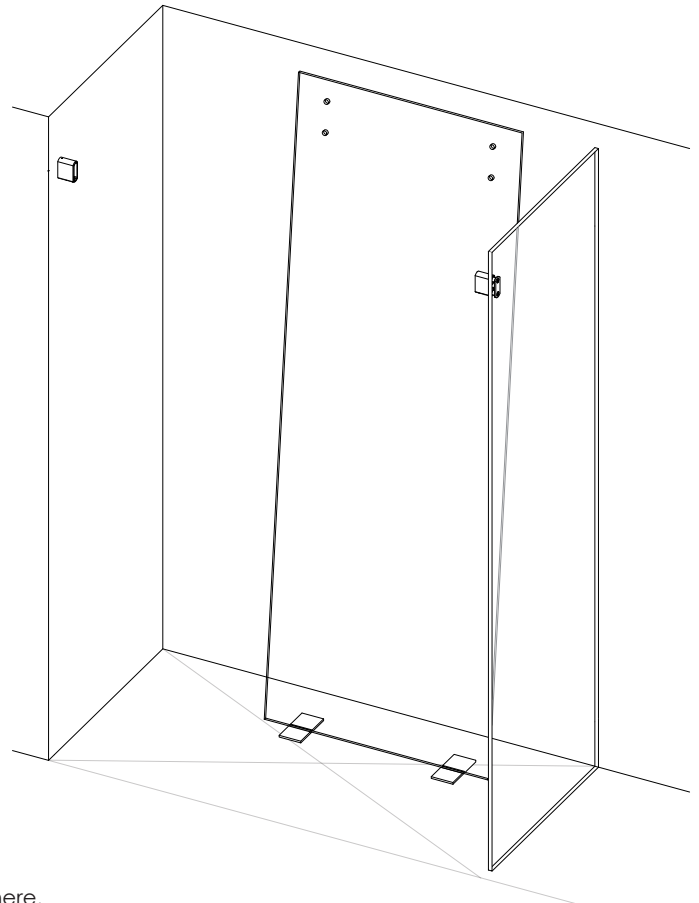
II. OPTIONAL - INSTALL DOOR BOTTOM SEAL

- ① Install the adhesive backed door bottom seal on your door panel as shown.



12. STAGING DOOR PANEL

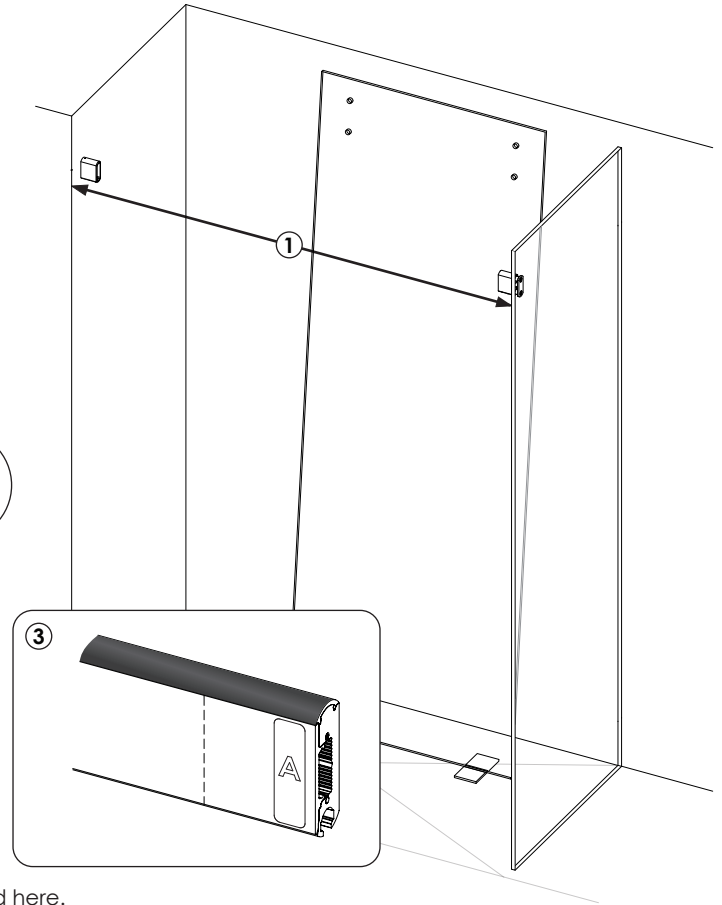
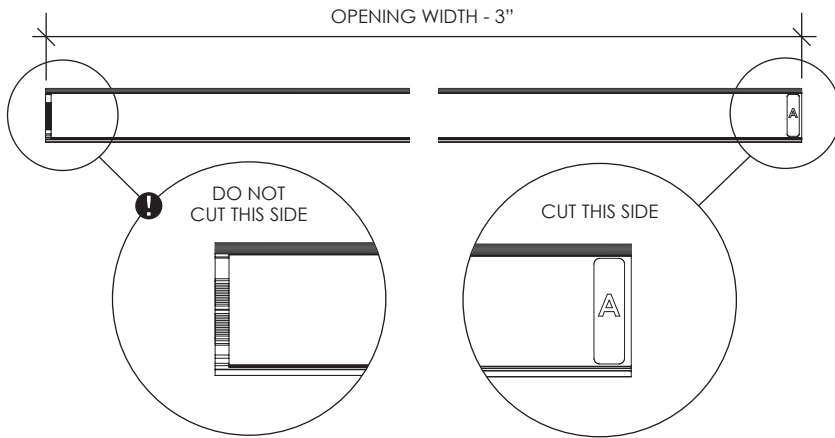
- ① Place the door panel in the shower. Be sure the door pull preparation is facing the correct direction.



*Installation with door closing to the right against the return panel illustrated here.

13. MEASURE AND CUT TRACK

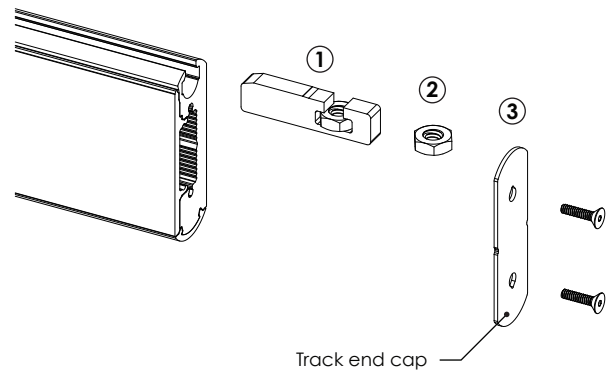
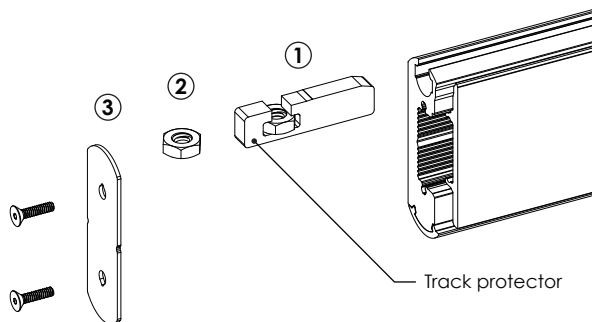
- 1 Measure your opening width at the track centerline.
- 2 Determine your track length:
 $TRACK\ LENGTH = OPENING\ WIDTH - 3"$
- 3 Make your mark and cut the excess from end "A"
- ! The track cover is 1/4" short opposite end "A". This is by design and should be maintained.



*Installation with door closing to the right against the return panel illustrated here.

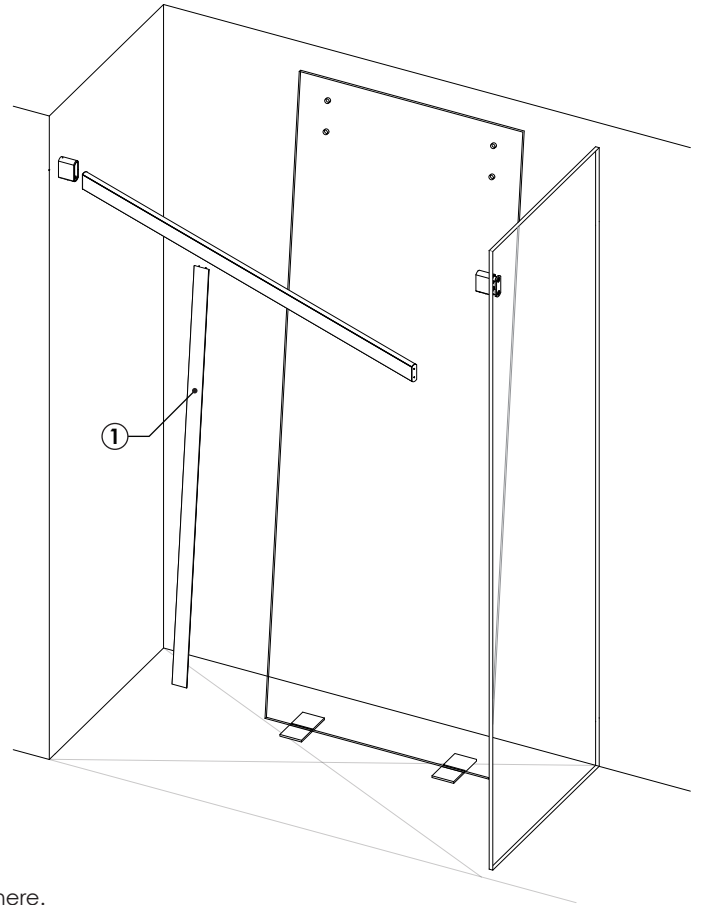
14. TRACK PREASSEMBLY

- 1 With the track upside-down, position one hex nut in the black polymer track protector as shown and insert into the bottom channel of the track base.
- ! Note the correct position and orientation of the hardware shown.
- 2 Install a second hex nut behind in the channel following the installed track protector. Repeat this process for the other end of the track.
- 3 Cap the ends of the track by attaching the track end caps using the provided allen wrench and screws.



15. TEMPORARILY INSTALL TRACK BASE

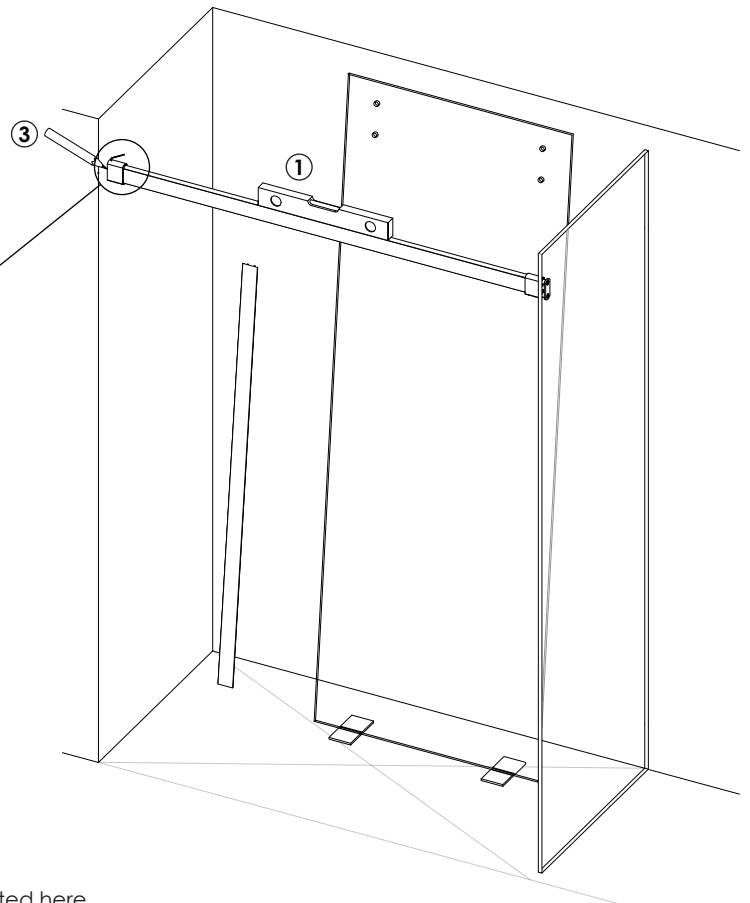
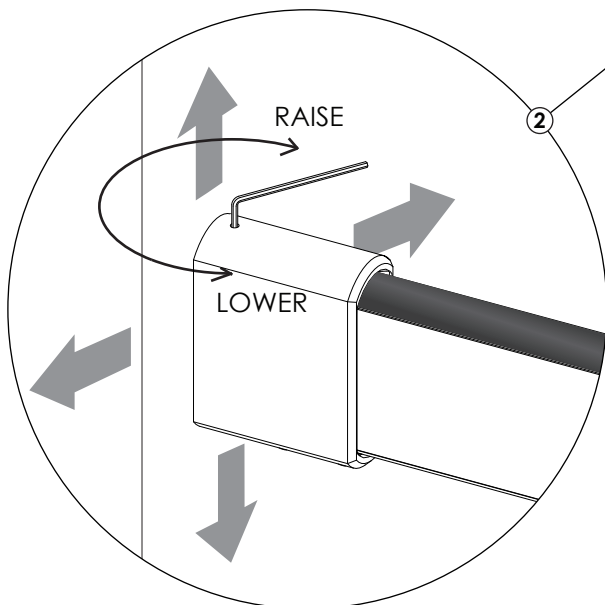
- ① Remove the track cover from track base and set it aside.
- ② Facing the open side of the track into the shower, install the track base into the sockets one end at a time. Center track so that each end is partially inserted in the track sockets.



*Installation with door closing to the right against the return panel illustrated here.

16. ADJUST TRACK POSITION

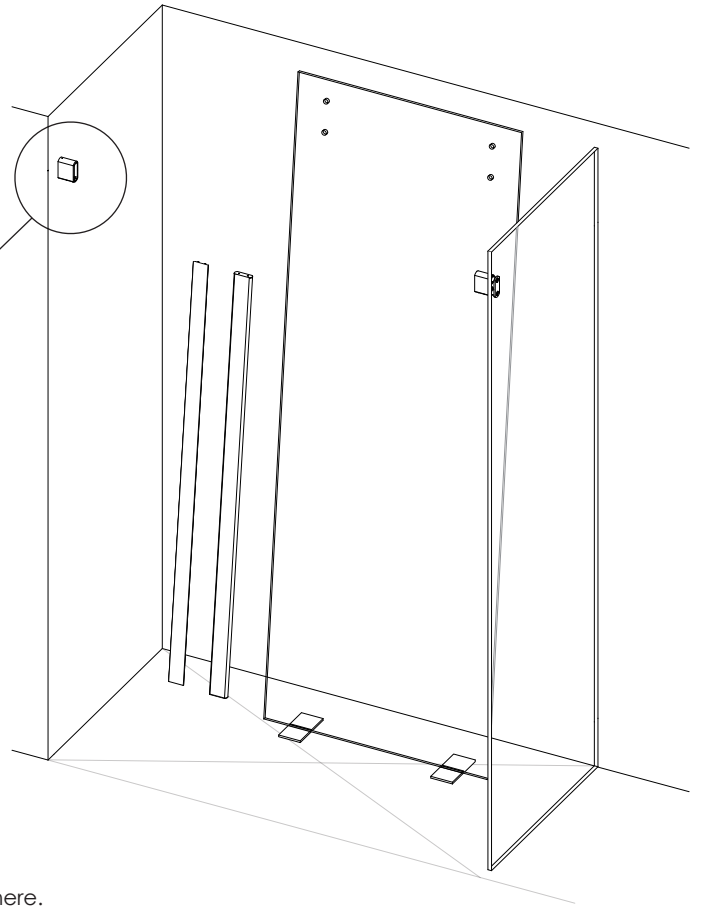
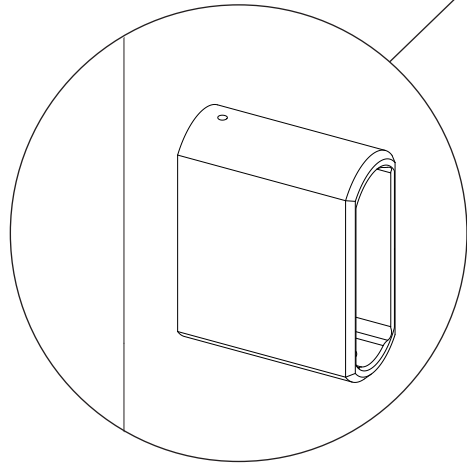
- ① Check track for level.
- ② Use the set screw to raise and lower the fixed wall track socket until level. Adjust lateral position manually as needed.
- ⚠ Remember that the track socket attachment screws must be slightly loose for this adjustment.
- ③ Ensure that the track socket is plumb and mark the final positions on the framed wall.



*Installation with door closing to the right against the return panel illustrated here.

17. TIGHTEN SOCKET

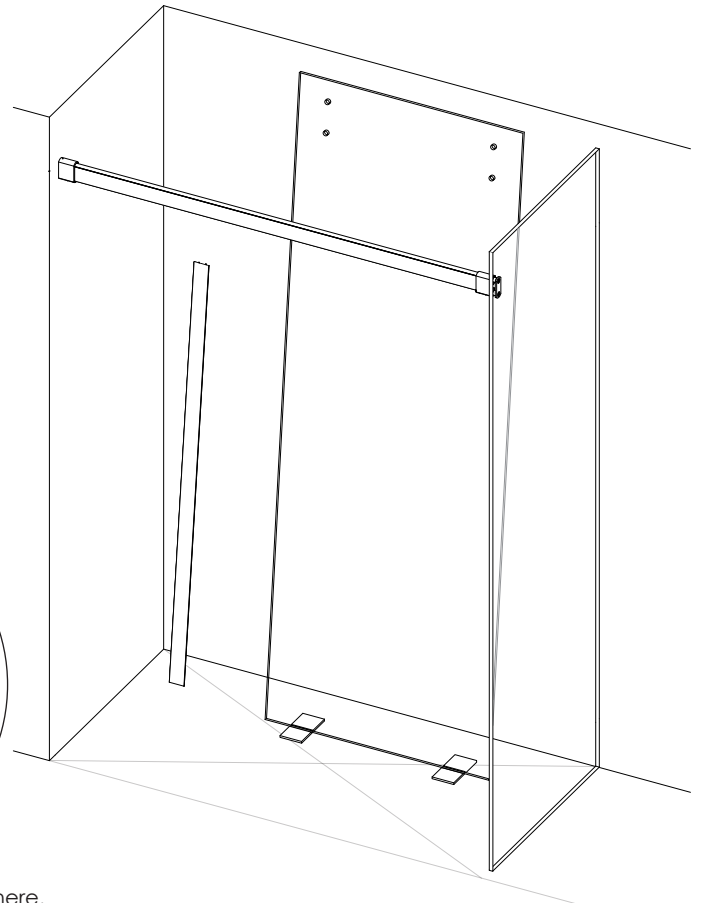
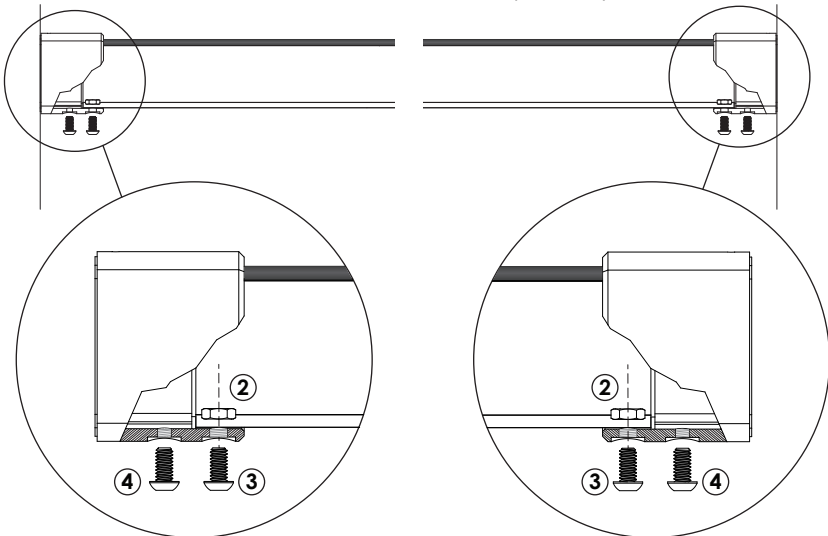
- ① Take down the track base and remove the track sockets from the framed wall.
 - ② Fill the drilled holes in the wall with silicone for moisture protection.
 - ③ Reinstall the sockets aligning them with the final position marks. Confirm that the track sockets are again straight and tighten the mounting screws fully this time.
- ❗ Ensure each socket is vertical.



*Installation with door closing to the right against the return panel illustrated here.

18. REINSTALL TRACK BASE

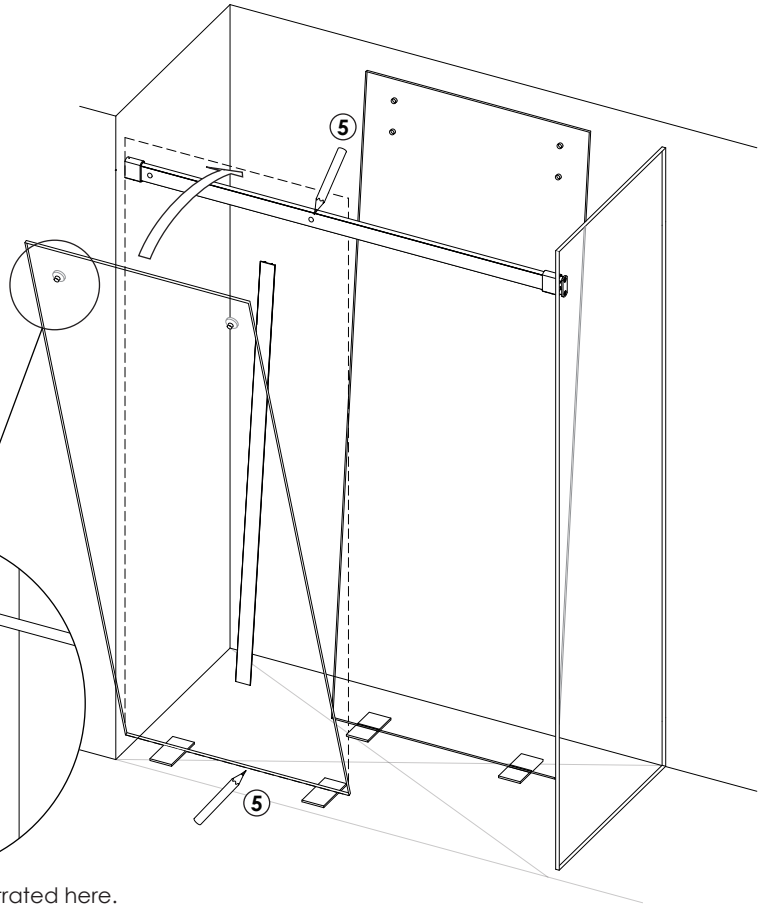
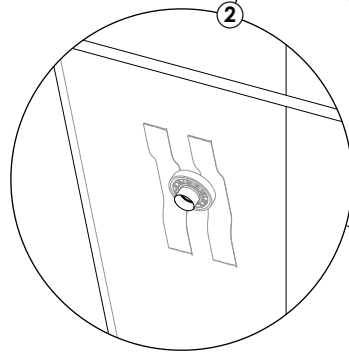
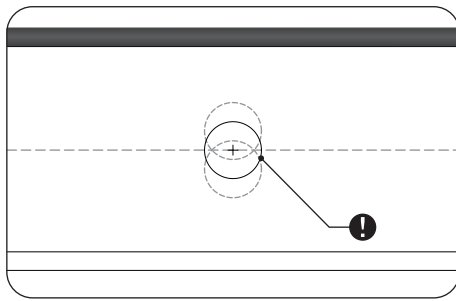
- ① Reposition the track base into the tightened track sockets.
- ❗ Ensure that the track is reinstalled in the correct orientation.
- ② Slide the previously inserted hex nuts over the holes nearest the opening of each socket. Adjust position of track as needed.
 - ③ Install a button head screw into the hex nut at each end.
 - ④ Install a button head screw into the remaining threaded hole on the bottom of each track socket.
 - ⑤ Torque all 4 button head screws to 110 in-lbs (9.5 ft-lbs).



*Installation with door closing to the right against the return panel illustrated here.

19. SET FIXED PANEL POSITION

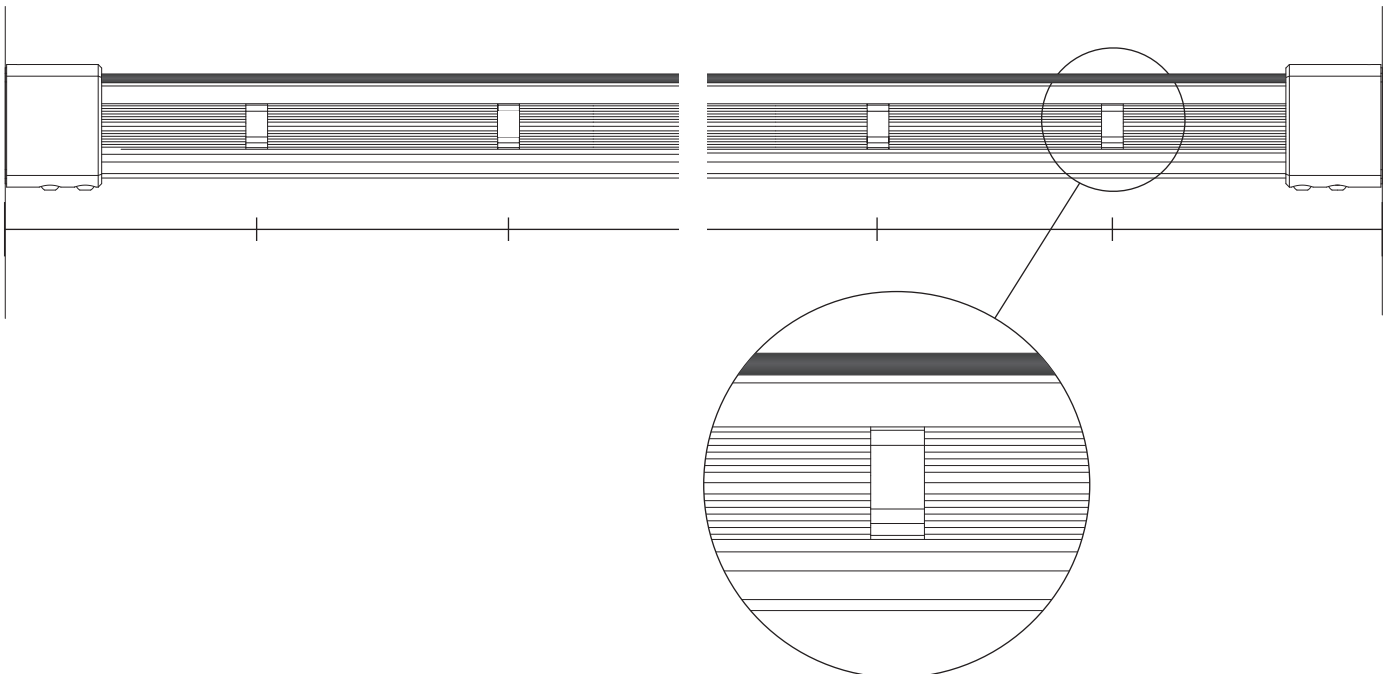
- ① Approximately position your previously considered bottom treatment (channels, clips, and shims) on the floor.
- ② Temporarily tape the track standoffs to the fixed panel making sure not to cover the center holes of the standoffs. Make sure that the protrusion is properly mated with the holes in your fixed glass panel.
- ③ Carefully rest the fixed panel on the bottom treatment and tilt vertically into position against the track.
- ④ Adjust shims as needed to square and plumb the panel and set gaps for glazing.
- ⚠ Ensure that the center of holes align within 1/8" of the track centerline.
- ⑤ Transfer the hole locations of the fixed glass panel onto the track for drilling and mark the final position of the panel and/or hardware on the floor.
- ⑥ Remove the standoffs from the fixed glass panel and set both aside.



* Installation with door closing to the right against the return panel illustrated here.

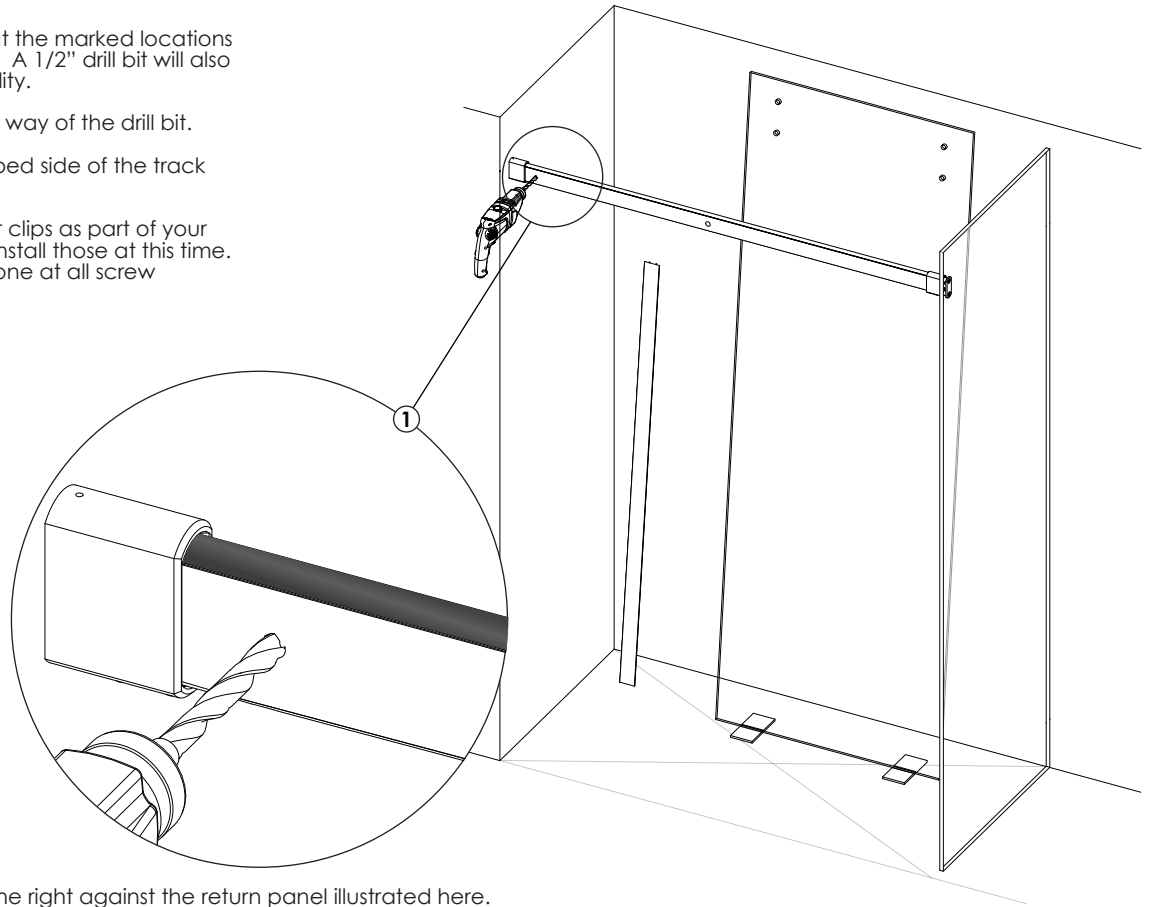
20. POSITION TRACK SPRINGS

- ① Spread the track springs evenly across the track. To do this, push in the middle of the spring and slide.
- ⚠ Make sure that no springs will be in the path of the drill bit when you drill the track base.



21. DRILL THE TRACK FOR FIXED PANEL

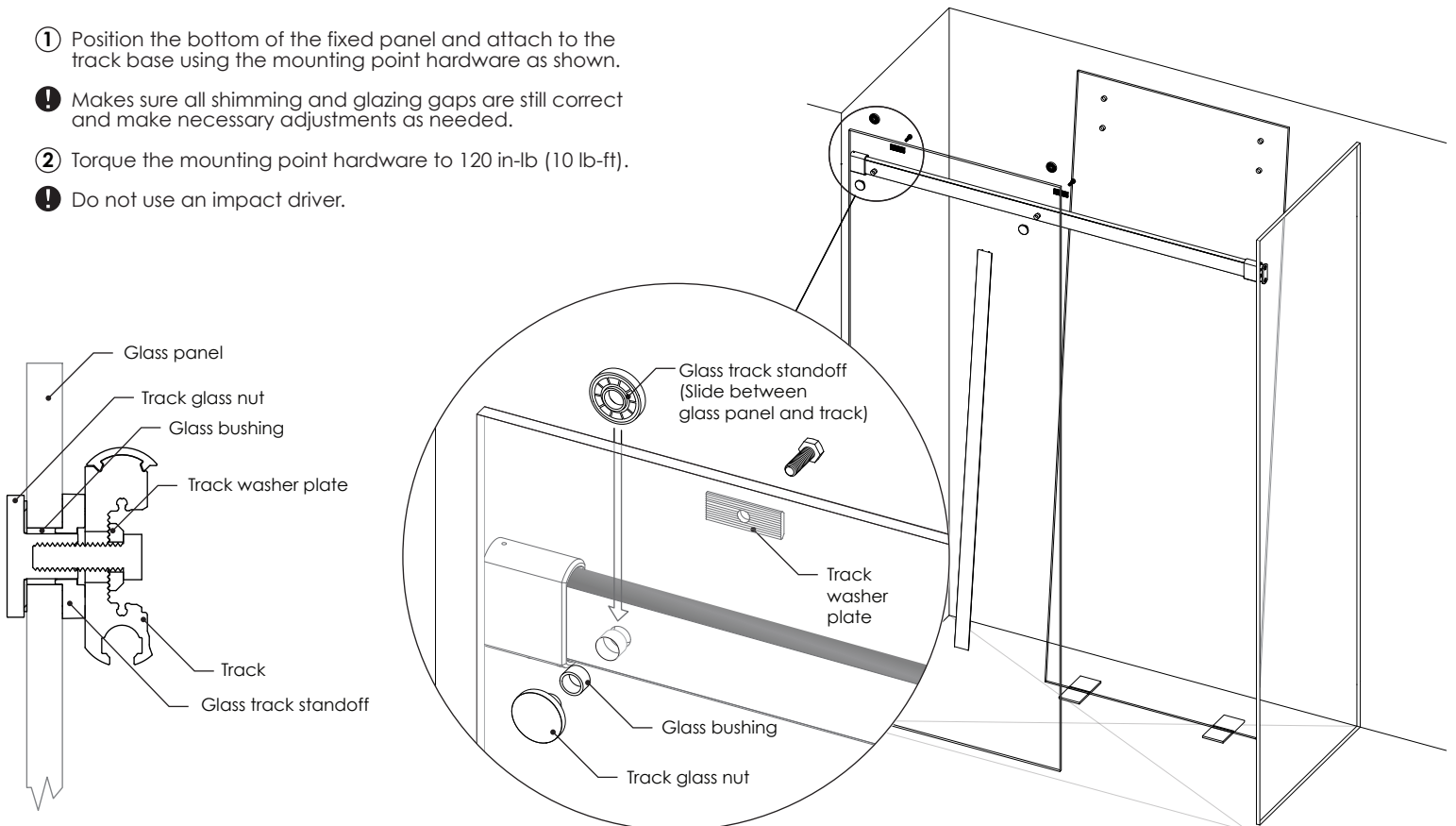
- 1 Drill the track base in position at the marked locations as shown using a $9/16$ " drill bit. A $1/2$ " drill bit will also work but provide less adjustability.
- ⚠ Make sure no springs are in the way of the drill bit.
- 2 Remove any burrs from the ribbed side of the track base.
- 3 (Optional) If using a channel or clips as part of your fixed glass bottom treatment, install those at this time. If secured with screws, use silicone at all screw locations.



*Installation with door closing to the right against the return panel illustrated here.

22. INSTALLING THE FIXED PANEL

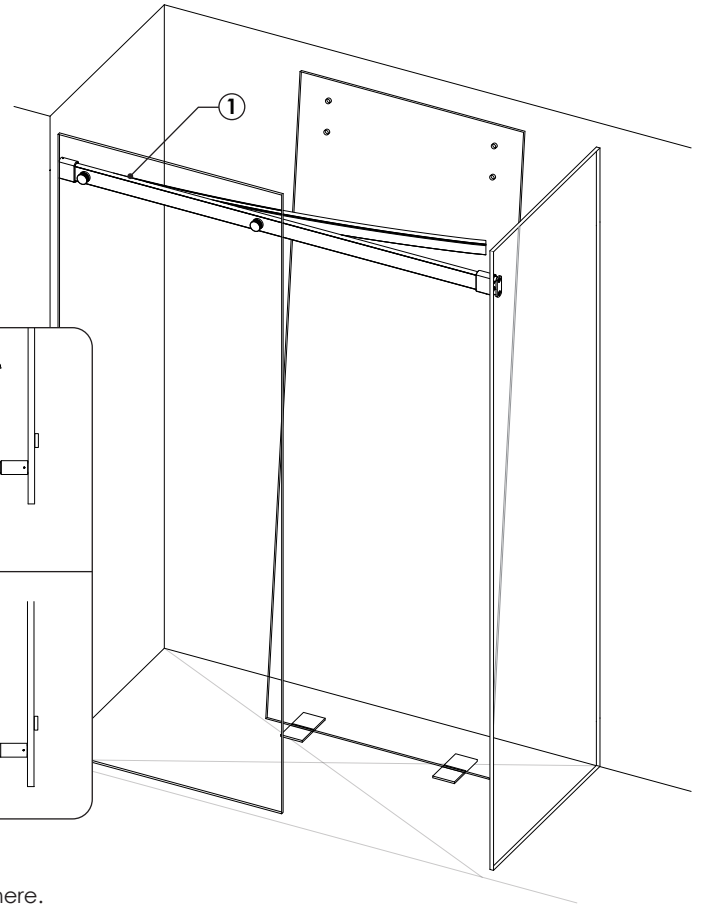
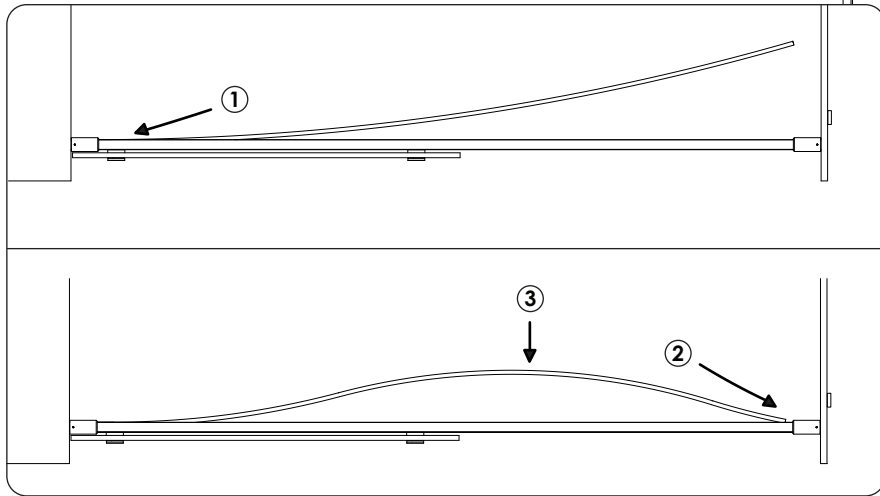
- 1 Position the bottom of the fixed panel and attach to the track base using the mounting point hardware as shown.
- ⚠ Makes sure all shimming and glazing gaps are still correct and make necessary adjustments as needed.
- 2 Torque the mounting point hardware to 120 in-lb (10 lb-ft).
- ⚠ Do not use an impact driver.



*Installation with door closing to the right against the return panel illustrated here.

23. INSTALL TRACK COVER

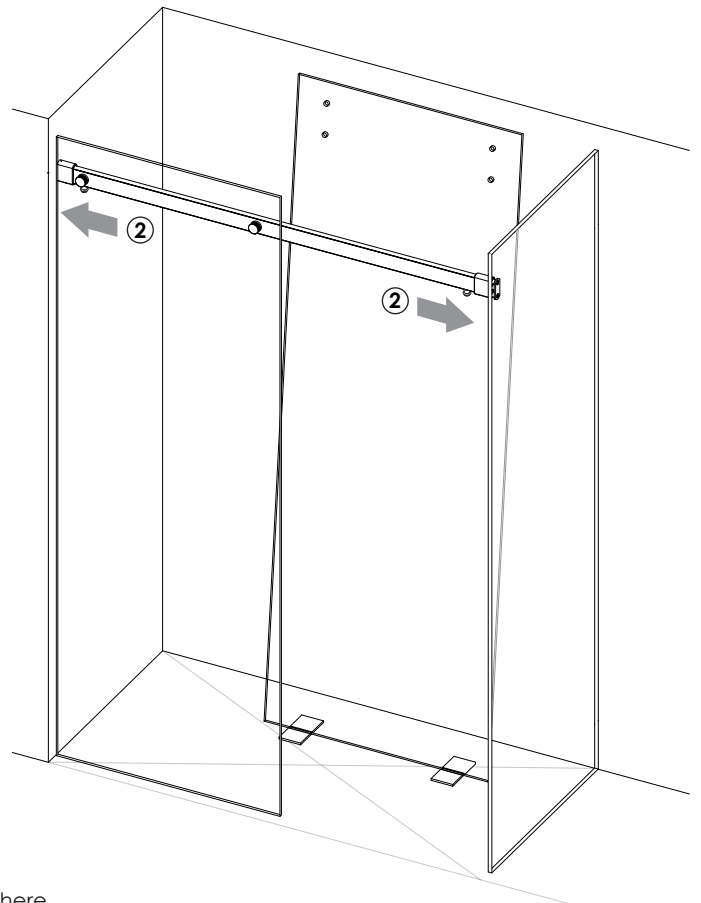
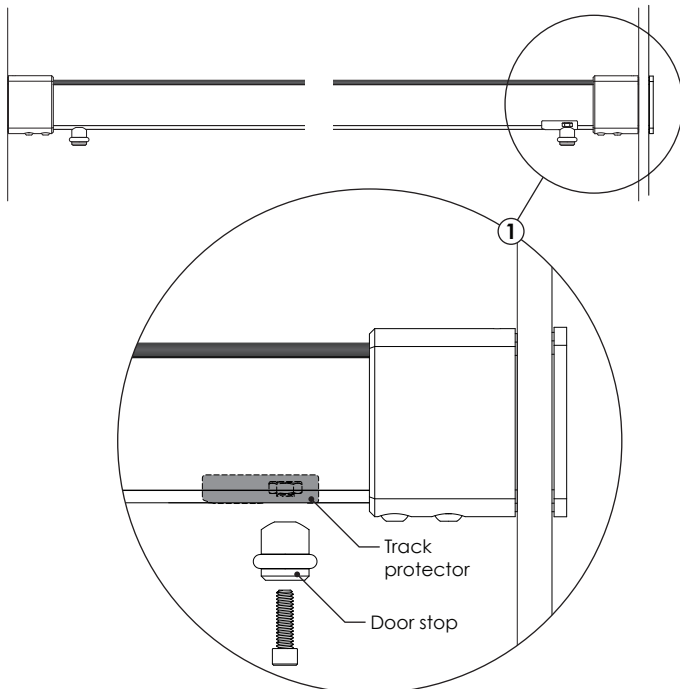
- ① Gently slide one end of the track cover into the track socket on the framed wall.
- ⚠ Ensure that the arrows on the back of the cover are pointing up.
- ② Carefully flex the track cover in the middle and insert the other end into the opposite track socket.
- ⚠ Over-flexing the cover can result in permanent deformation.
- ③ With both ends inserted, press the track cover securely into the track springs.



*Installation with door closing to the right against the return panel illustrated here.

24. ATTACHING DOOR STOPS

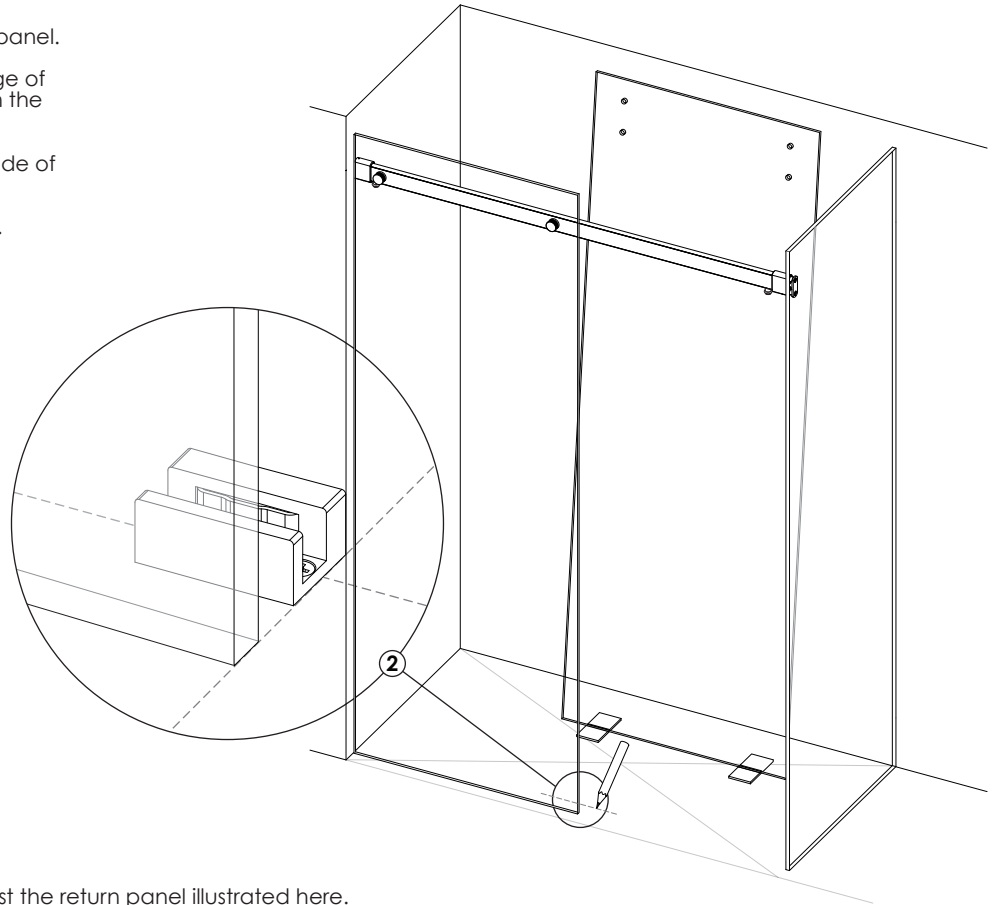
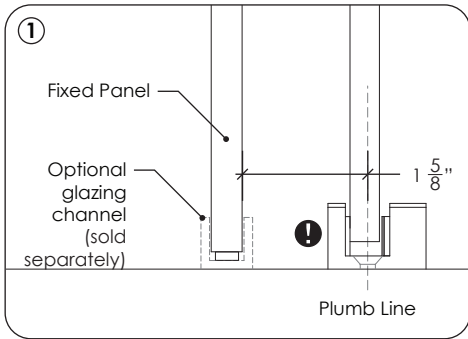
- ① Locate the black polymer track protectors on the bottom side of the track and loosely attach the door stops.
- ② Slide each door stop to the ends of the track and leave loose for now.



*Installation with door closing to the right against the return panel illustrated here.

25. INSTALL BOTTOM GUIDE

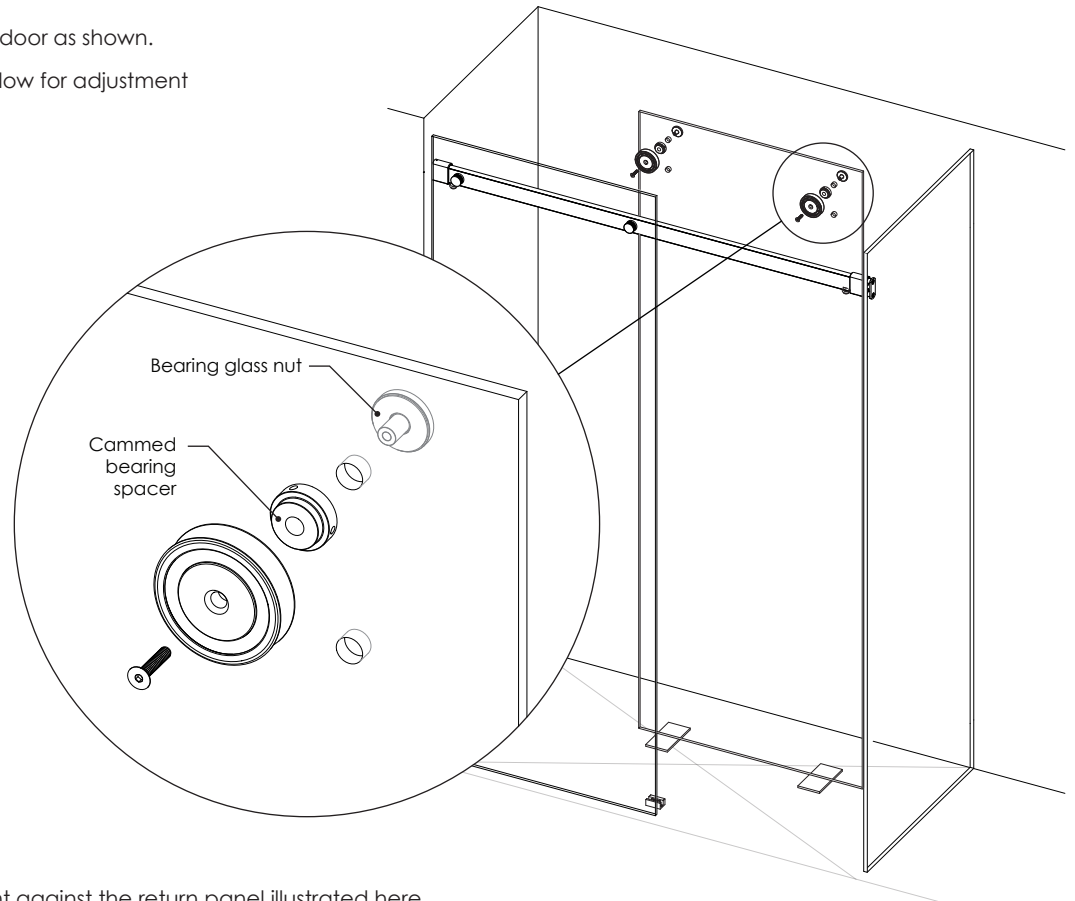
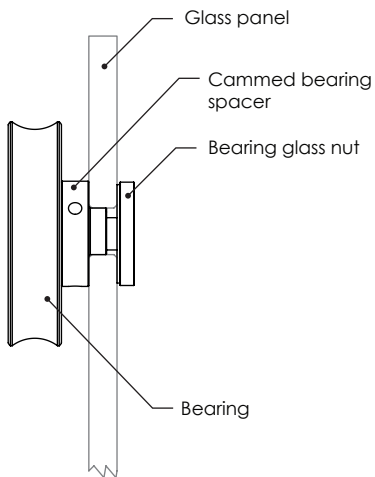
- 1 Mark a line 1-5/8" from the face of your fixed panel.
- 2 Align the bottom guide assembly with the edge of your fixed glass and center the screw holes on the marked line.
- ⚠ Note the correct orientation with the narrow side of the bottom guide facing the fixed panel.
- 3 Mark the hole locations on the floor for drilling.
- 4 Pre-drill, silicone and install the bottom guide.



*Installation with door closing to the right against the return panel illustrated here.

26. ATTACH BEARING ASSEMBLIES

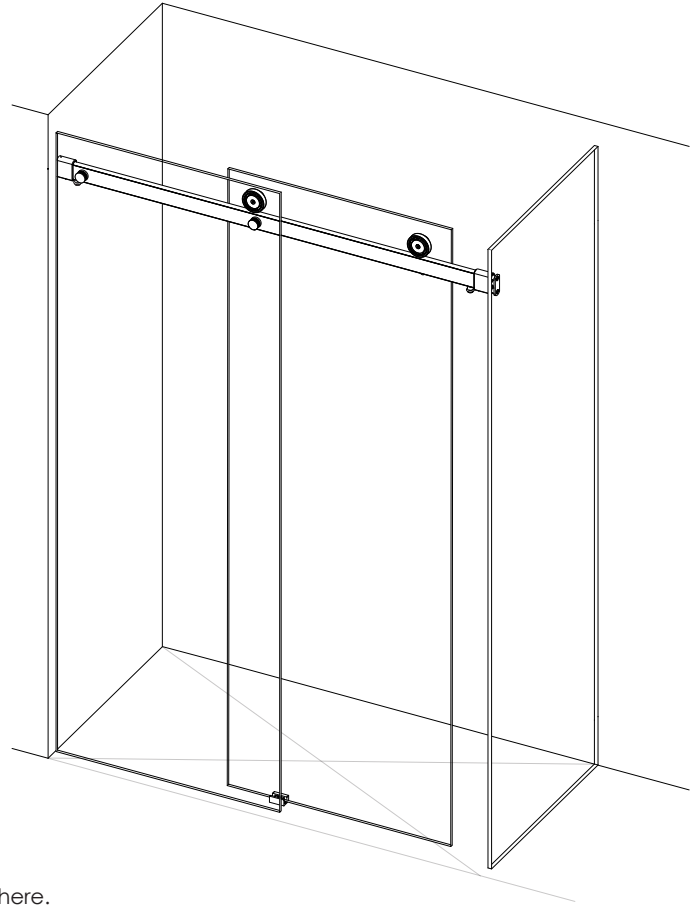
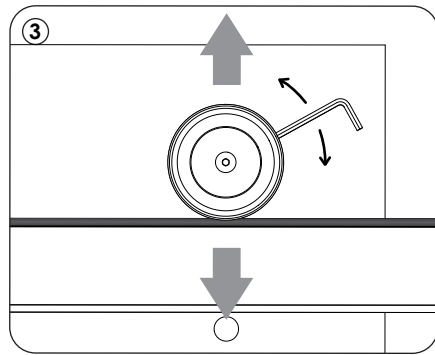
- 1 Attach the bearing assemblies on the door as shown.
- ⚠ Leave the screw half a turn loose to allow for adjustment in next steps.



*Installation with door closing to the right against the return panel illustrated here.

27. INSTALL DOOR PANEL

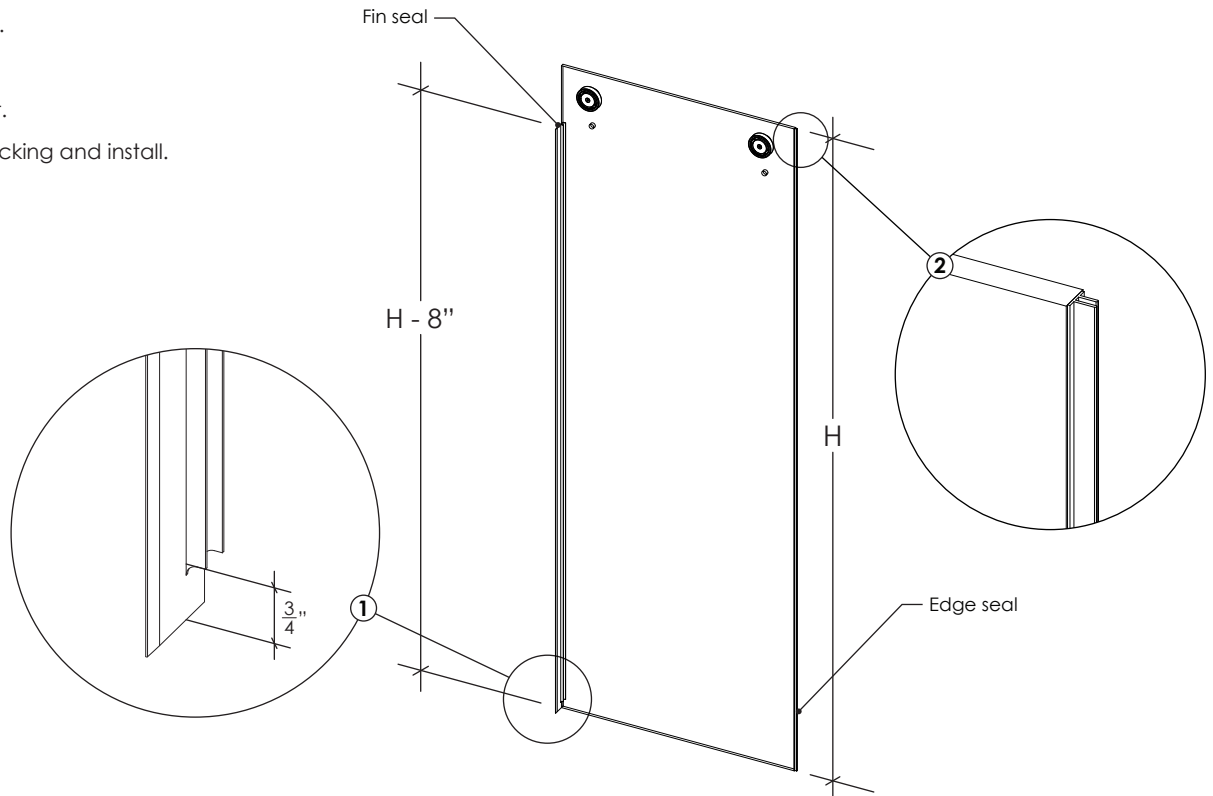
- ① Carefully guide the bottom of the door panel into the bottom guide and hang the door on the track.
- ⚠ Note that door panel travel is not constrained.
- ② Slide the panel to the closed position. Make sure that the bottom seal (if used) is not under load by the weight of the door panel.
- ③ Square the door panel with the wall or return panel by rotating the cammed bearing spacer with the included allen wrench to raise or lower each side of the door.
- ⚠ Door bottom seal should lightly touch the floor and freely pass through the bottom guide.
- ④ Torque the screws to 110 in-lb (9.5 ft-lbs) making sure that the cammed bearing spacer maintains its position during tightening.
- ⑤ Confirm that the door panel and seals adequately clear the base of the bottom guide in all positions and that the glass panel remains adequately engaged with black polymer portion of the bottom guide.



*Installation with door closing to the right against the return panel illustrated here.

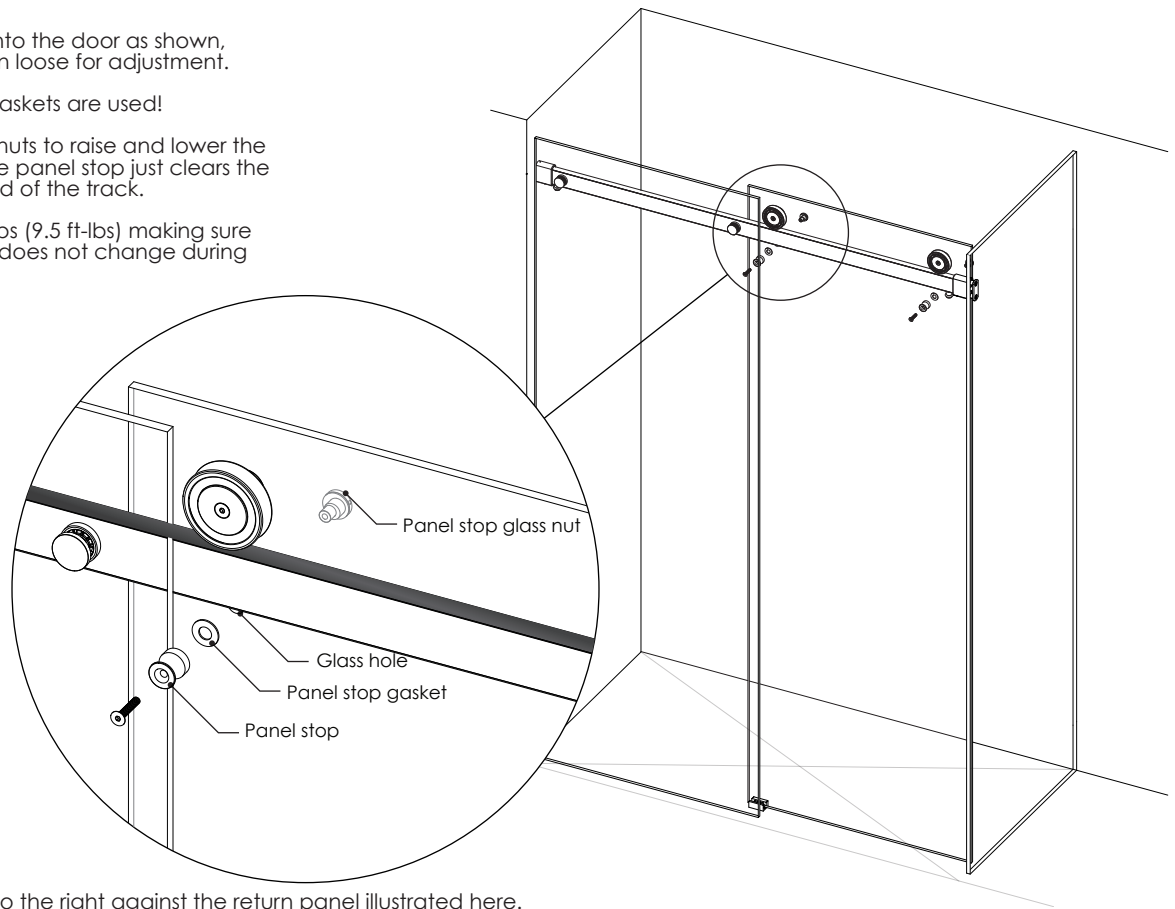
28. OPTIONAL - INSTALL DOOR SEALS

- ① Install fin seal:
 - Cut seal to length: SEAL LENGTH = door height - 8"
 - Trim bottom as shown.
- ② Install edge seal:
 - Cut to full door height.
 - Remove adhesive backing and install.



29. ATTACH PANEL STOPS

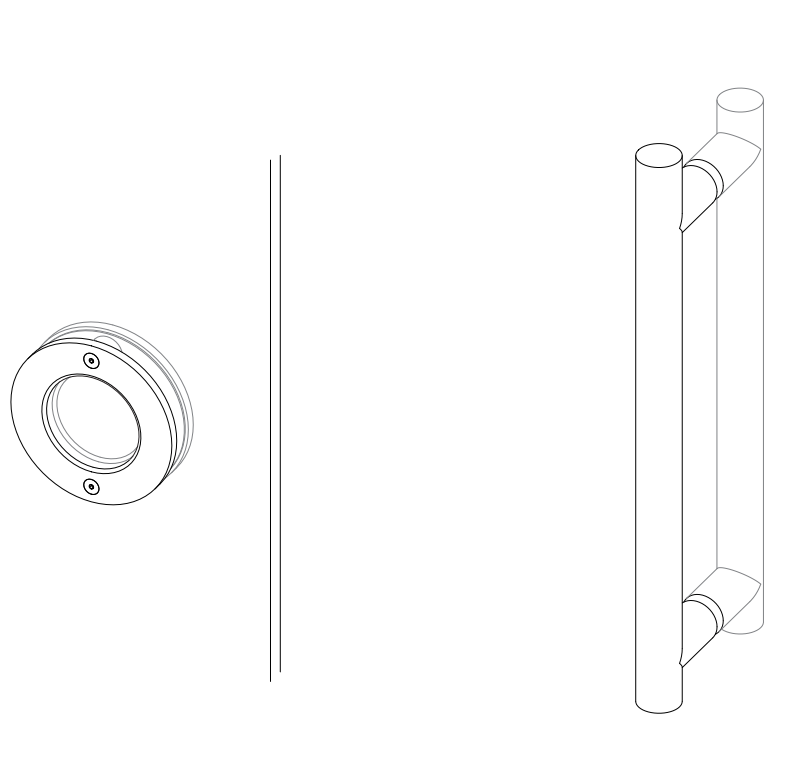
- ① Assemble the panel stops onto the door as shown, leaving the screws half a turn loose for adjustment.
- ⚠ Ensure that the panel stop gaskets are used!
- ② Rotate the panel stop glass nuts to raise and lower the assemblies. Adjust so that the panel stop just clears the track protectors on each end of the track.
- ③ Torque the screws to 110 in-lbs (9.5 ft-lbs) making sure that the panel stop position does not change during tightening.



*Installation with door closing to the right against the return panel illustrated here.

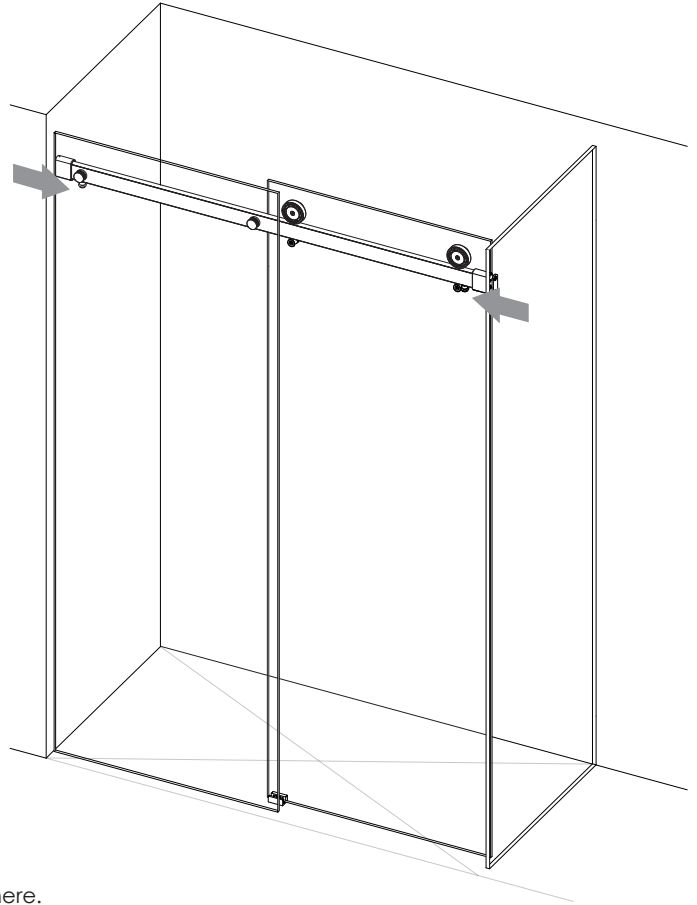
30. INSTALL DOOR PULLS

- ① Attach door pulls.



31. SET DOOR TRAVEL

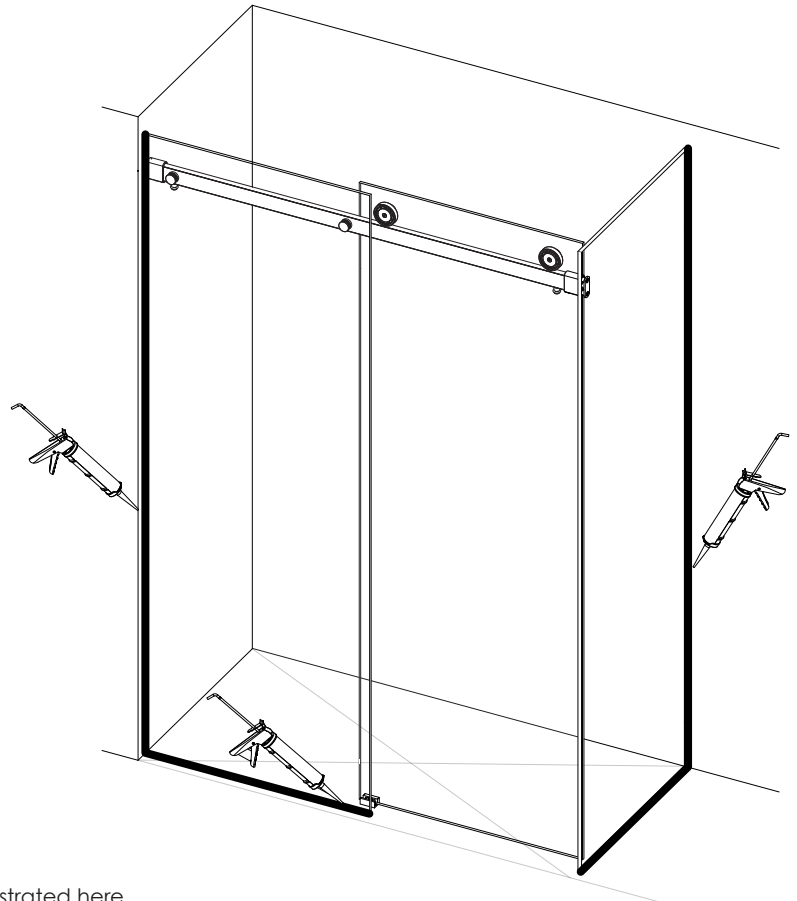
- ① Reposition the door stops to set the desired travel of the door panel.
- ⚠ Note any protruding door pulls!
- ② Torque the screws to 110 in-lb (9.5 ft-lbs).



*Installation with door closing to the right against the return panel illustrated here.

32. GLAZING

- ① Glaze the fixed and return panels at the wall and the floor with clear silicone.
- ② Wet glaze any channels used in the install.



*Installation with door closing to the right against the return panel illustrated here.

33. MAINTENANCE AND CARE

- Clean shower doors with typical glass cleaners or mild soap. Do not clean with ammonia, alcohol or other solvents.
- Periodically check tightness of fasteners, particularly in high use installations.
- Using a dry cloth, wipe bearing and wheel wearing surfaces and remove any build-up of dust or debris every few thousand cycles or every few months, whichever comes first.