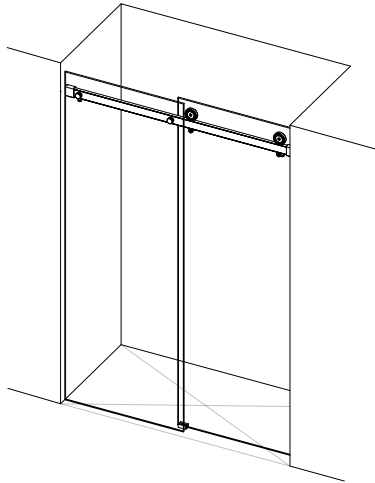


RORIK

SHOWER SYSTEM

ALCOVE

A completely customizable frameless glass sliding door shower system with adjustment features at wall, fixed panel, and door panel attachment points, configurable with up to ADA-compliant 36" clear openings.



QUOTE REQUEST



INSTALLATION OPENING WIDTH:

Feet:

Inches:

The Rorik sliding door shower system in the standard Alcove configuration supports up to 6' 8" openings. For wider openings, please note in the comments section

FINISH:

-  Brushed Stainless - 32D
KL-PAS1
-  Black Stainless
PAS3

The Rorik sliding door shower system is available in two premium finishes, Brushed Stainless and Black Stainless.

QUANTITY:

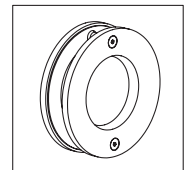
Qty:

Number of Rorik shower systems for the project.

ADD DOOR PULL(S):

- YES NO

A low-profile, ergonomic double-sided pull in solid, machined stainless steel.



ABOUT YOUR PROJECT:

Name:

Company:

Phone Number:

Email Address:

Job Name:

Job Address:

Shower location in the project:

ADDITIONAL NOTES: